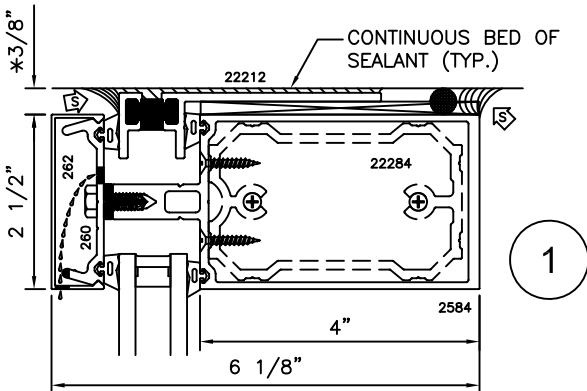
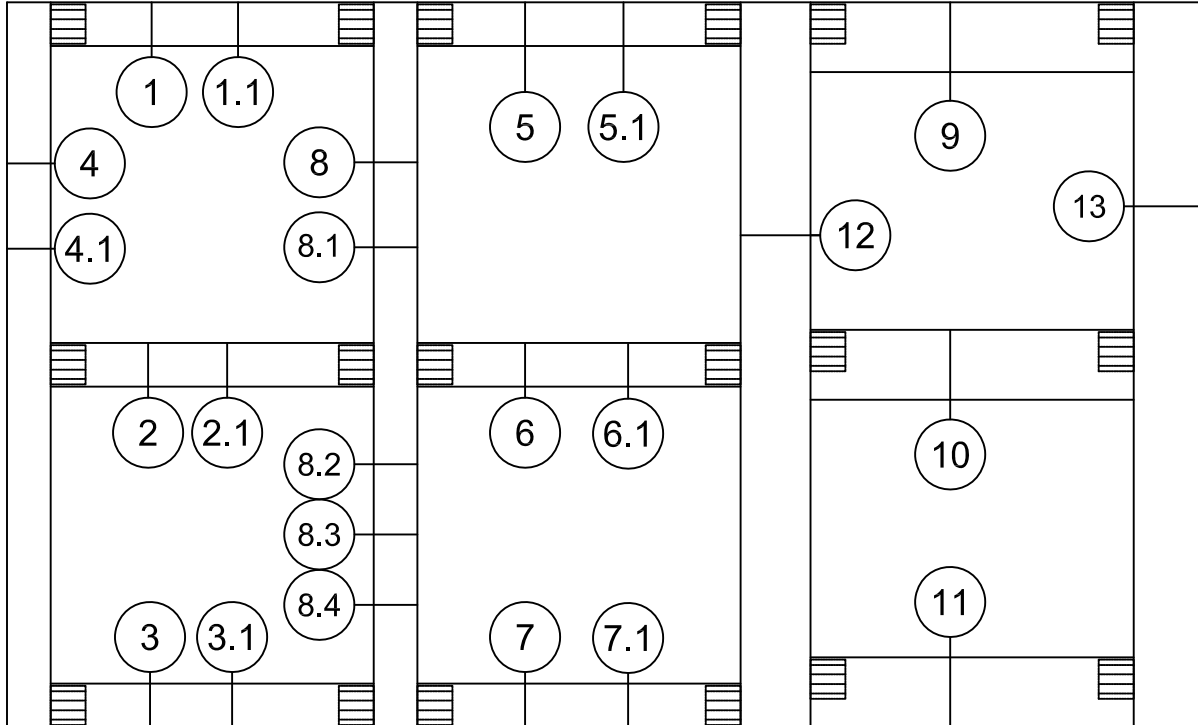


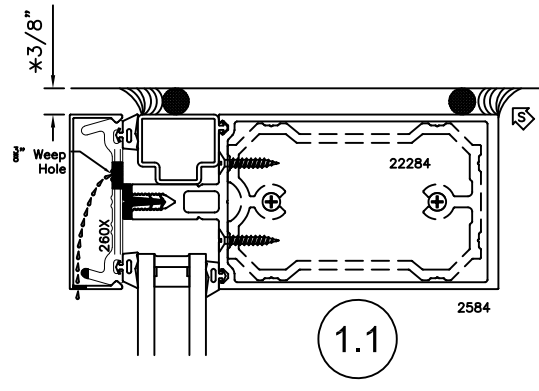


2-1/2" X 6-1/8" (4" B. M.) 250 C.W. EXTERIOR GLAZED CURTAIN WALL STANDARD / OPTIONAL DETAILS

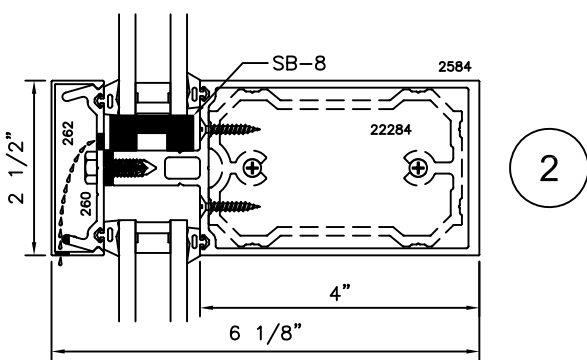
* MINIMUM RECOMMENDED FOR THERMAL ISOLATION.
INCREASE AS REQUIRED TO COMPLY WITH SEALANT
MANUFACTURERS' INSTRUCTIONS



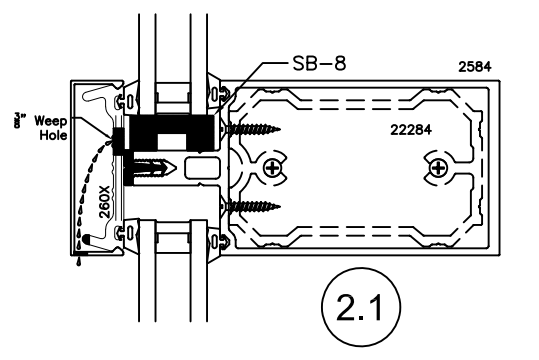
1



1.1



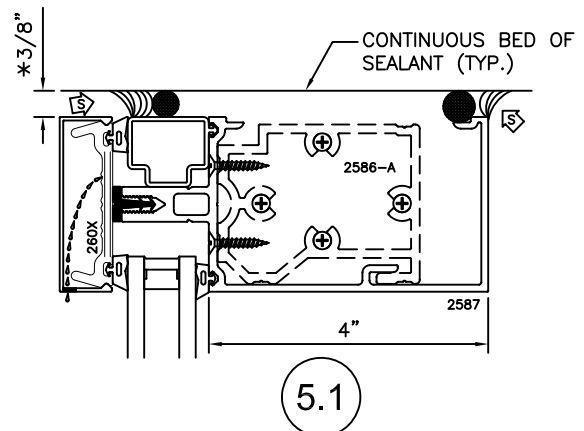
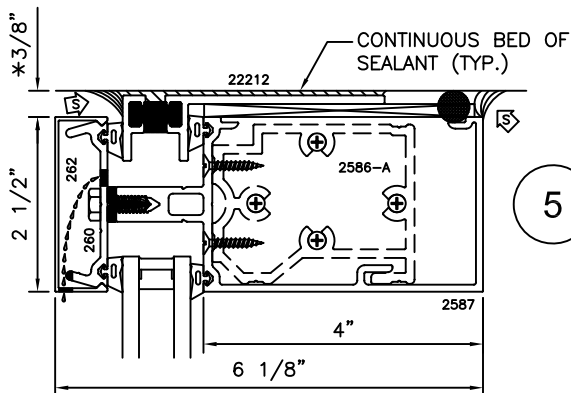
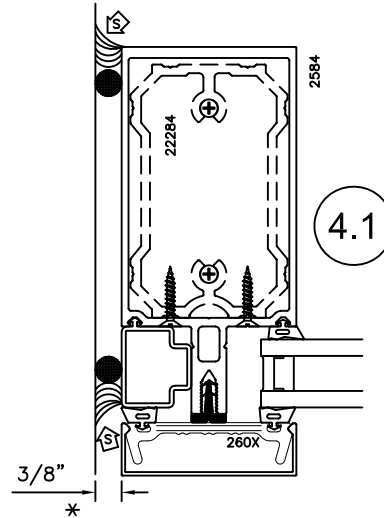
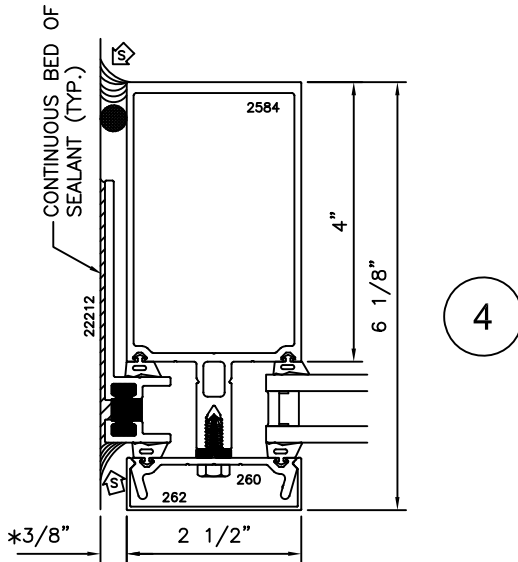
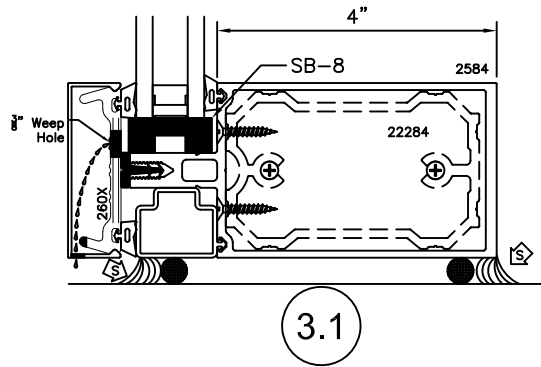
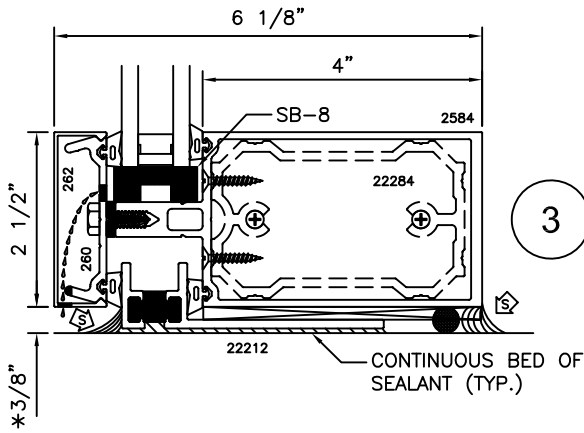
2



2.1



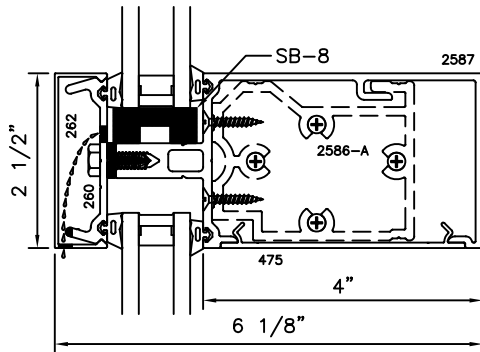
2-1/2" X 6-1/8" (4" B. M.) 250 C.W. EXTERIOR GLAZED CURTAIN WALL STANDARD / OPTIONAL DETAILS



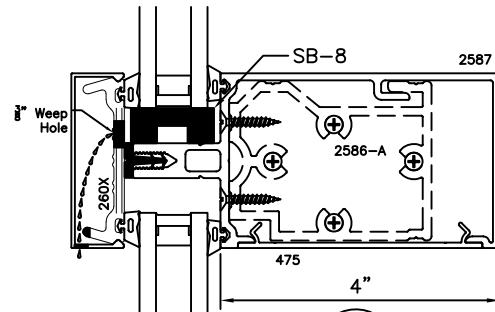


2-1/2" X 6-1/8" (4" B. M.) 250 C.W. EXTERIOR GLAZED CURTAIN WALL STANDARD / OPTIONAL DETAILS

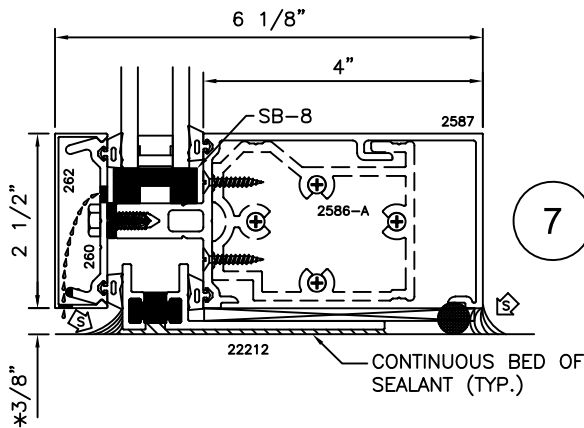
* MINIMUM RECOMMENDED FOR THERMAL ISOLATION.
INCREASE AS REQUIRED TO COMPLY WITH SEALANT
MANUFACTURERS' INSTRUCTIONS



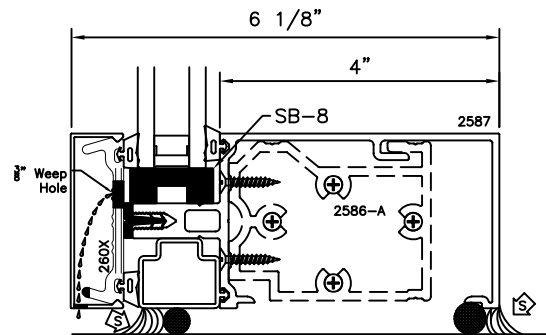
6



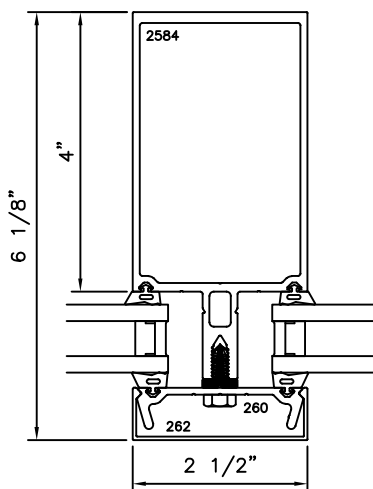
6.1



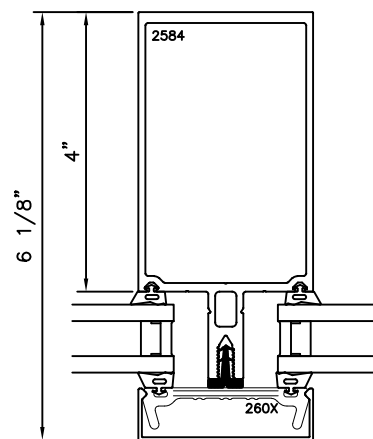
7



7.1



8

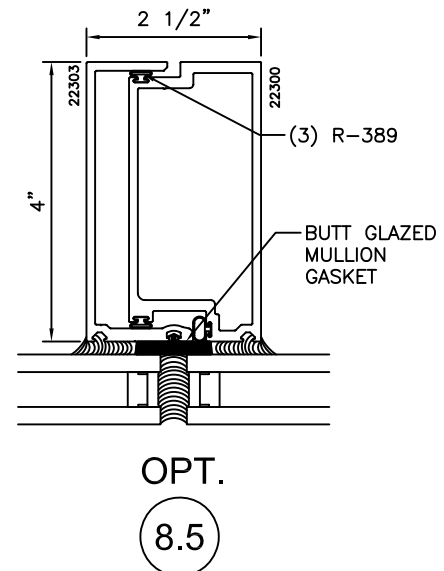
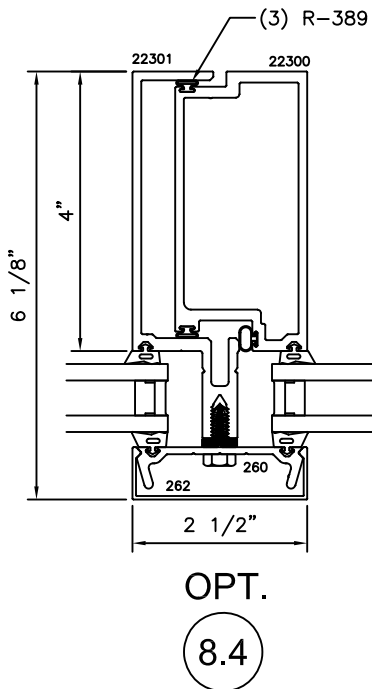
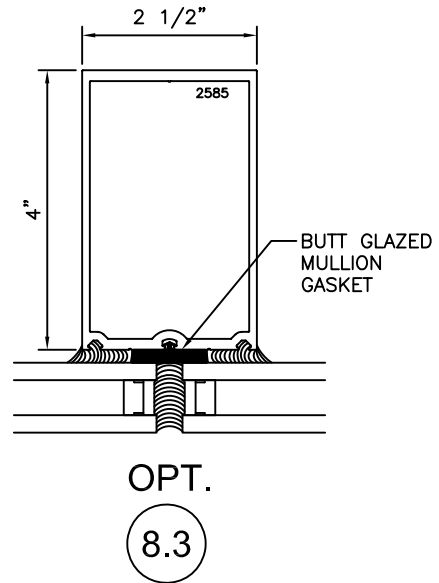
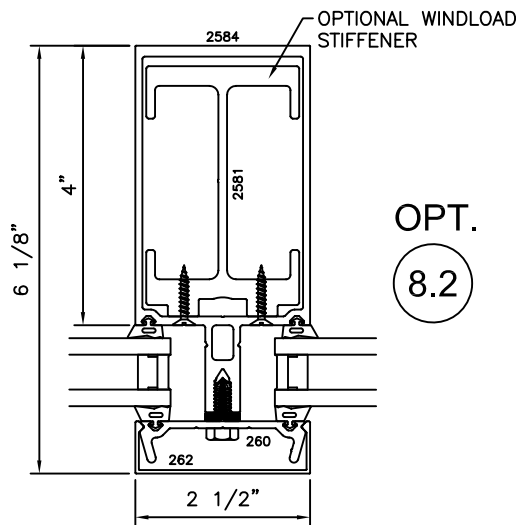


8.1



2-1/2" X 6-1/8" (4" B. M.) 250 C.W. EXTERIOR GLAZED CURTAIN WALL STANDARD / OPTIONAL DETAILS

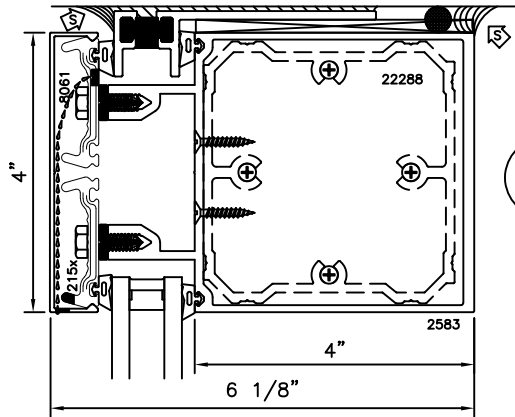
* MINIMUM RECOMMENDED FOR THERMAL ISOLATION.
INCREASE AS REQUIRED TO COMPLY WITH SEALANT
MANUFACTURERS' INSTRUCTIONS



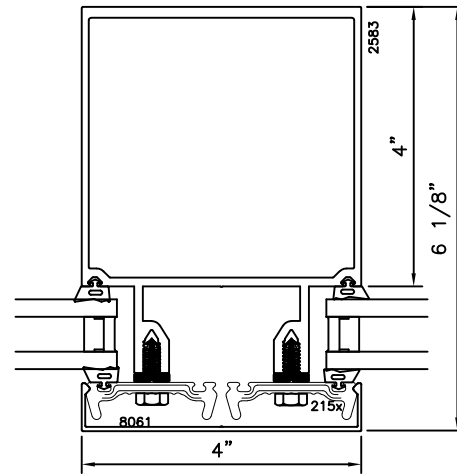


2-1/2" X 6-1/8" (4" B. M.) 250 C.W. EXTERIOR GLAZED CURTAIN WALL STANDARD / OPTIONAL DETAILS

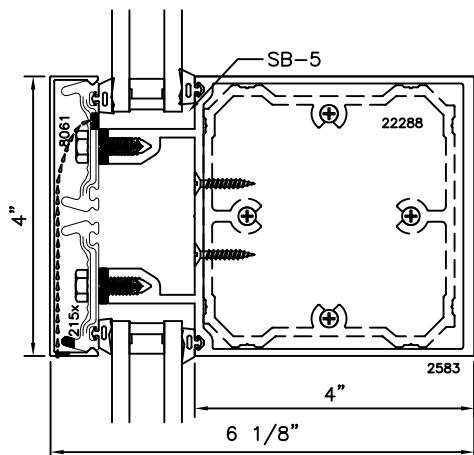
* MINIMUM RECOMMENDED FOR THERMAL ISOLATION.
INCREASE AS REQUIRED TO COMPLY WITH SEALANT
MANUFACTURERS' INSTRUCTIONS



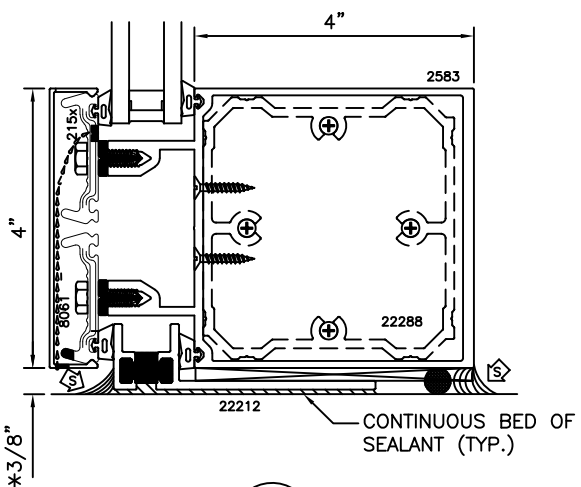
9



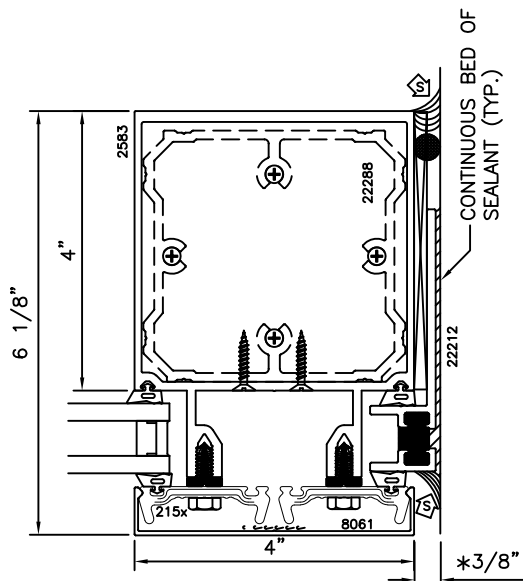
12



10



11



13