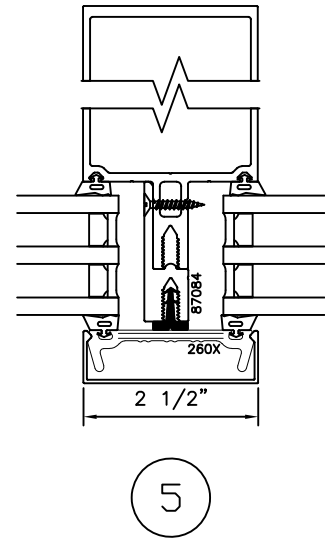
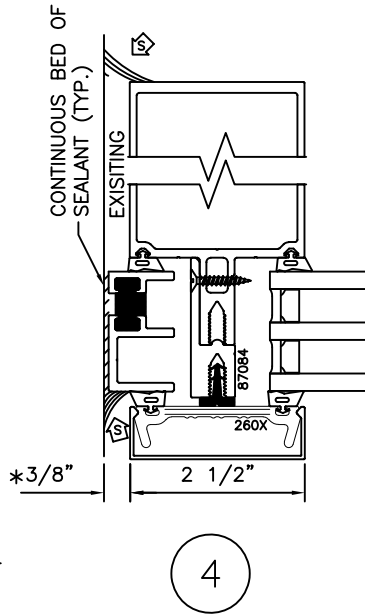
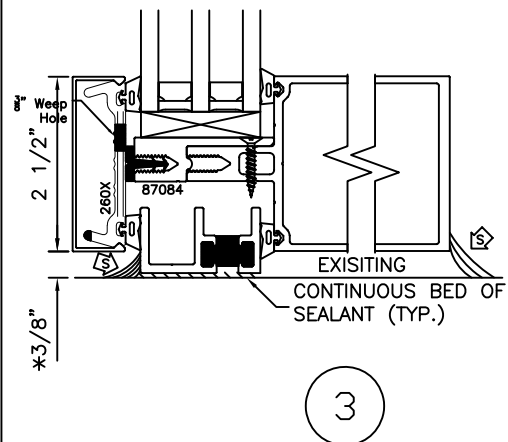
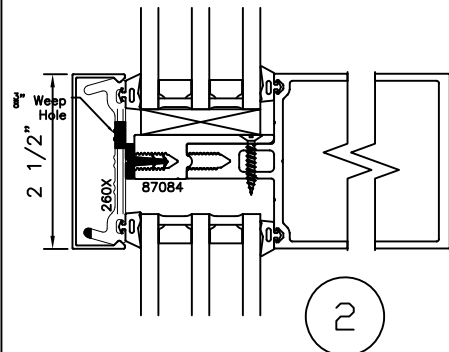
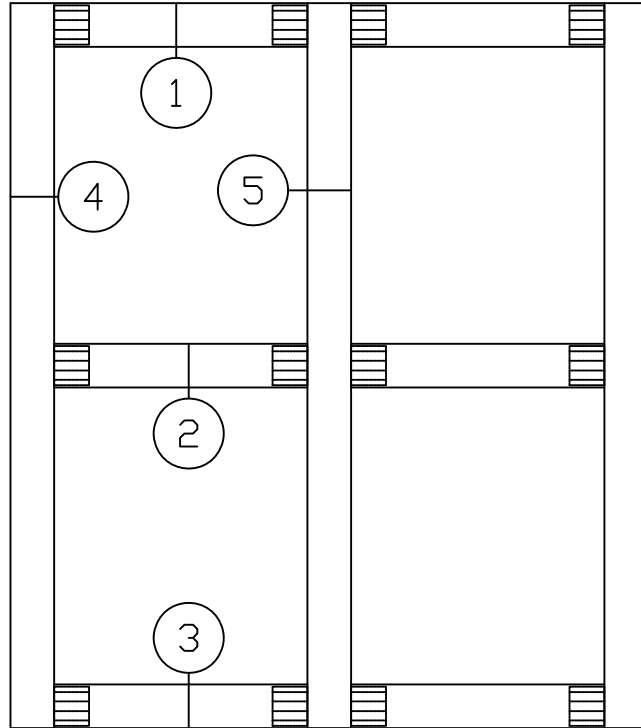
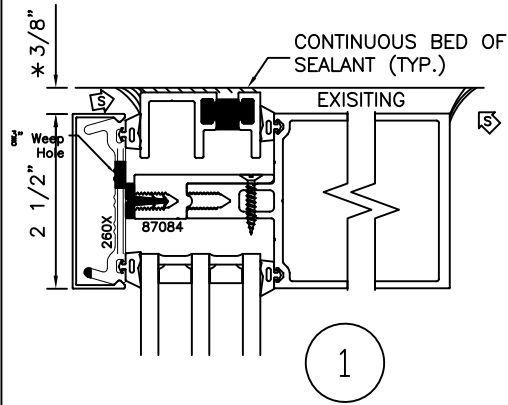




250 C.W.

2-1/2" TRIPLE GLAZED  
RETROFIT  
CURTAIN WALL

\* MINIMUM RECOMMENDED FOR THERMAL ISOLATION.  
INCREASE AS REQUIRED TO COMPLY WITH SEALANT  
MANUFACTURERS' INSTRUCTIONS



BACKMEMBER SIZE VARIES.