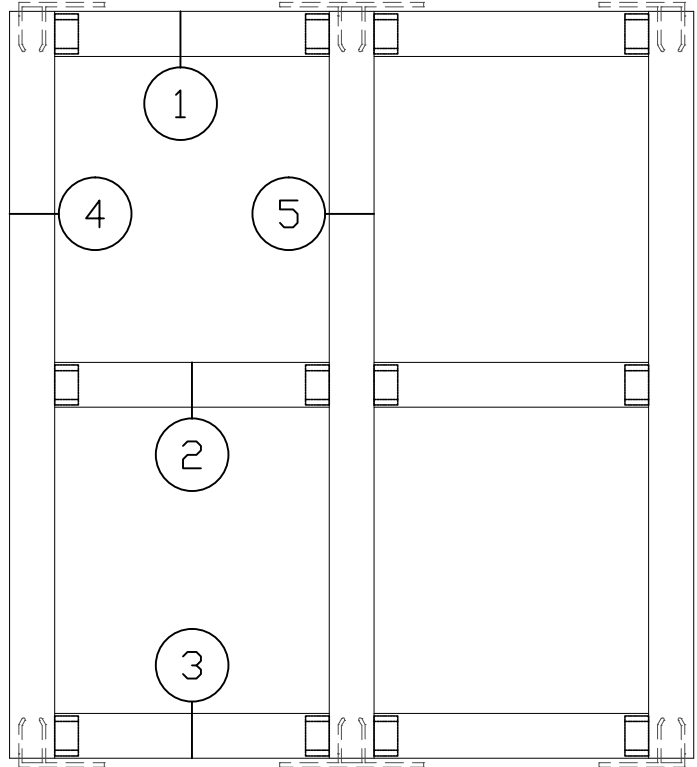
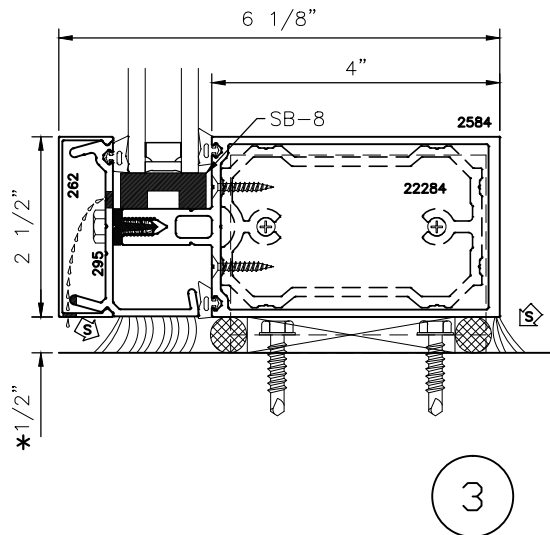
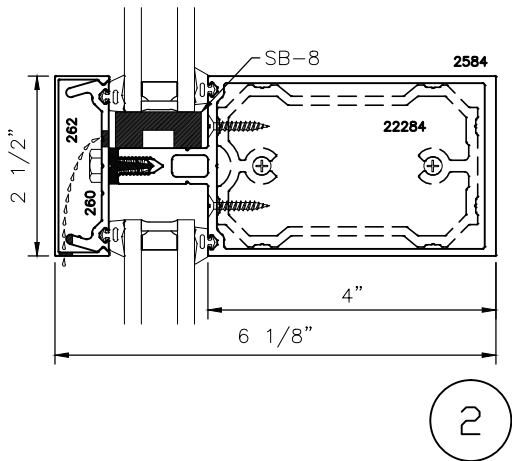
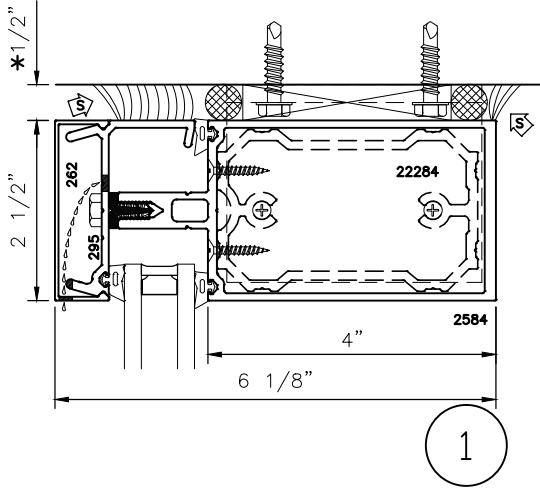


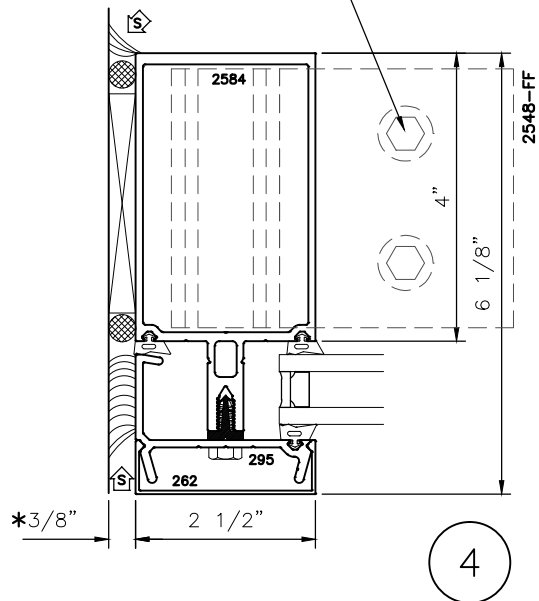


2-1/2" X 6-1/8" (4" B. M.) 250 C.W. EXTERIOR GLAZED CURTAIN WALL F & T ANCHOR DETAILS

* MINIMUM RECOMMENDED FOR THERMAL ISOLATION.
INCREASE AS REQUIRED TO COMPLY WITH SEALANT
MANUFACTURERS' INSTRUCTIONS

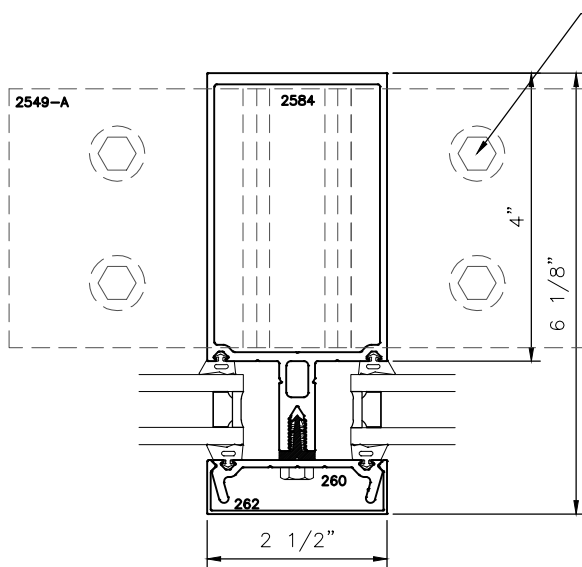


HEX HEAD SS BOLTS
ANCHOR FASTENERS (TYP.).
CONTINUOUS BED OF SEALANT
UNDER "F" & "T" ANCHORS

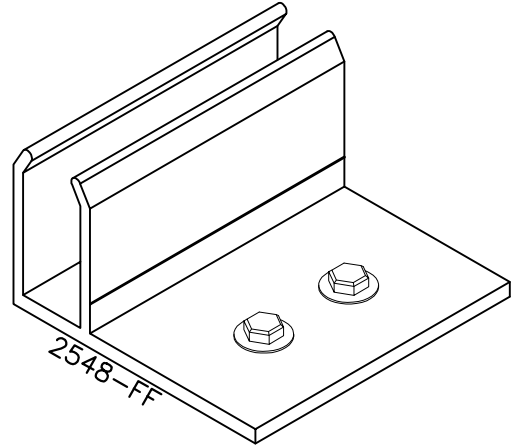




2-1/2" X 6-1/8" (4" B. M.) 250 C.W. EXTERIOR GLAZED CURTAIN WALL F & T ANCHOR DETAILS

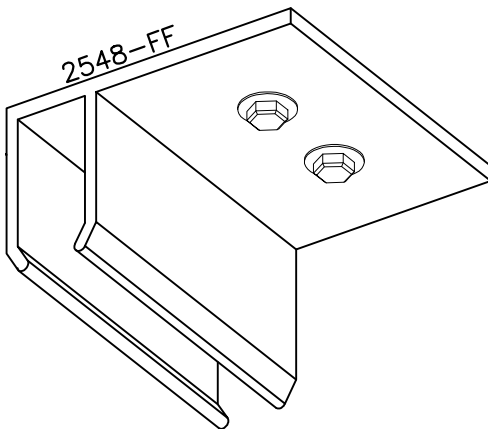


HEX HEAD SS BOLTS
ANCHOR FASTENERS (TYP.).
CONTINUOUS BED OF SEALANT
UNDER "F" & "T" ANCHORS

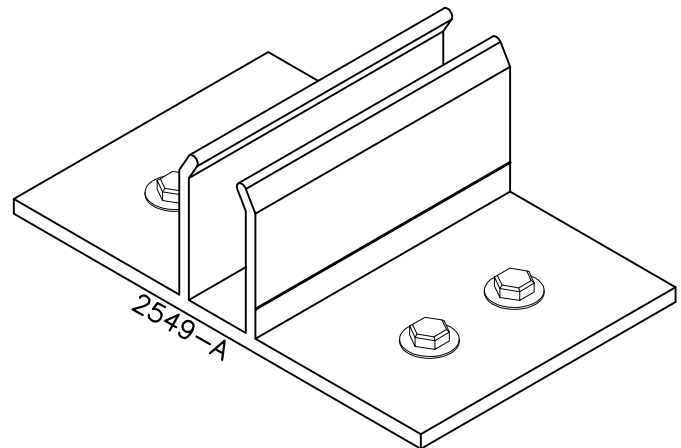


2548-FF
BOTTOM F-ANCHOR

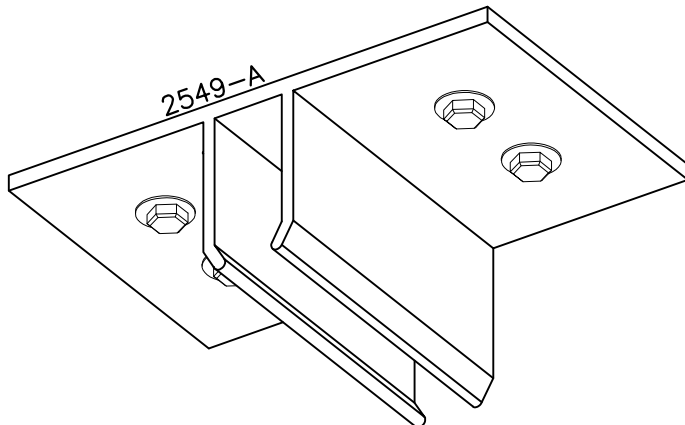
5



2548-FF
TOP F-ANCHOR



2549-A
BOTTOM T-ANCHOR



2549-A
TOP T-ANCHOR