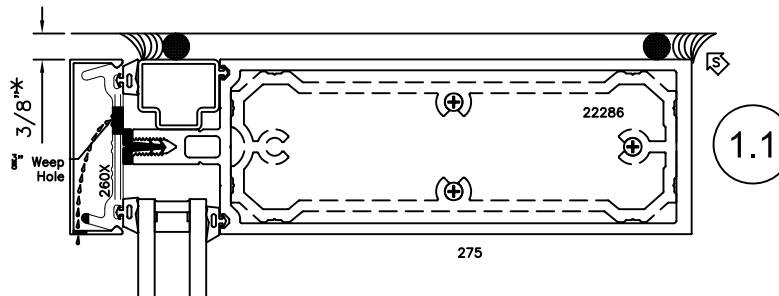
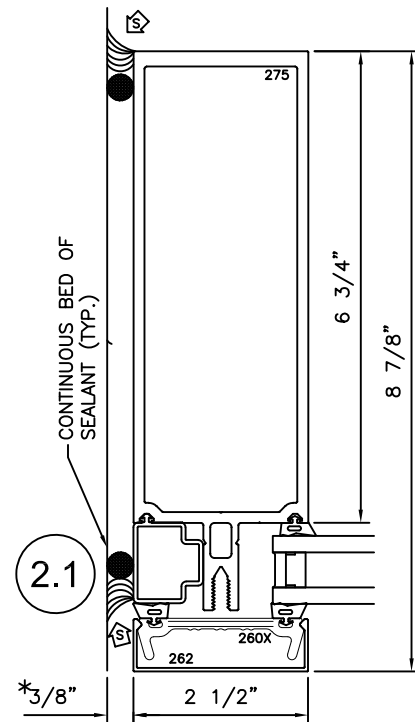
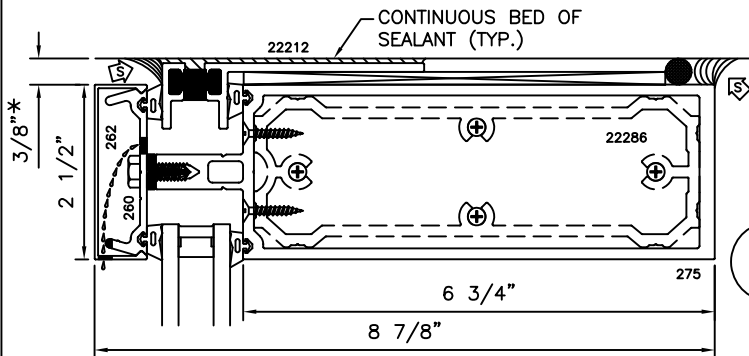
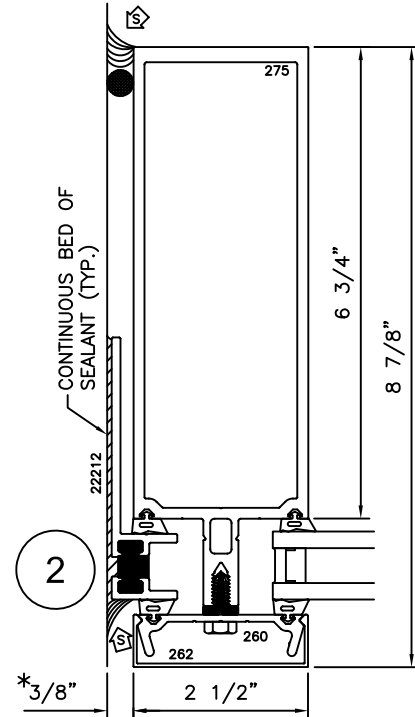
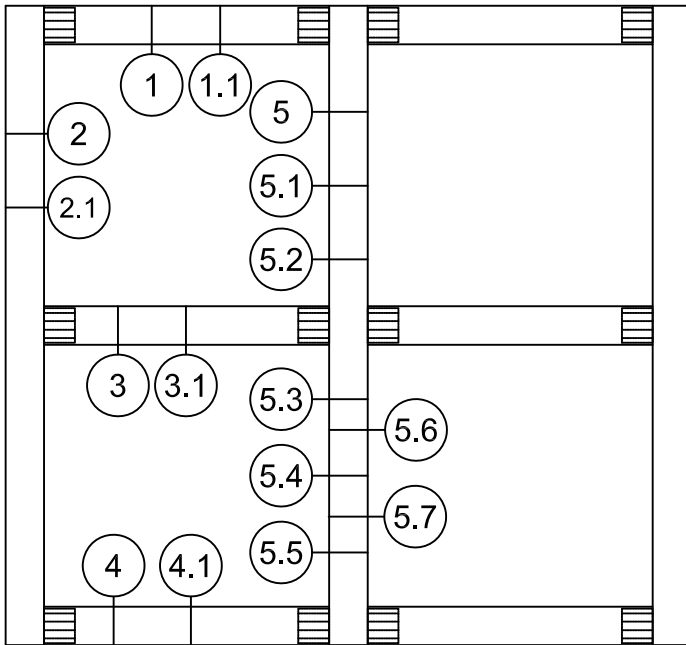




MANKO

2-1/2" X 8-7/8" (6-3/4" B. M.) 250 C.W. EXTERIOR GLAZED CURTAIN WALL STANDARD / OPTIONAL DETAILS

* MINIMUM RECOMMENDED FOR THERMAL ISOLATION.
INCREASE AS REQUIRED TO COMPLY WITH SEALANT
MANUFACTURERS' INSTRUCTIONS

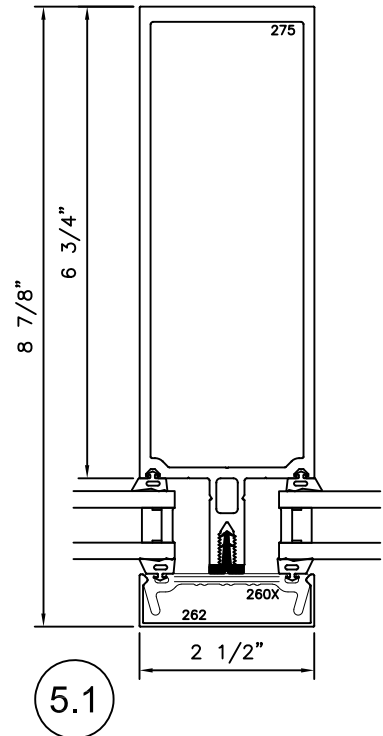
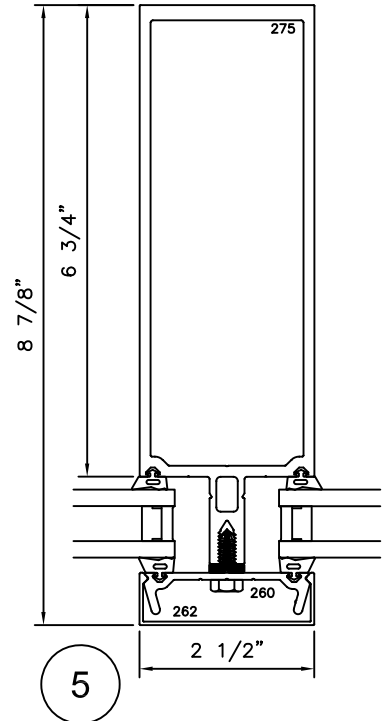
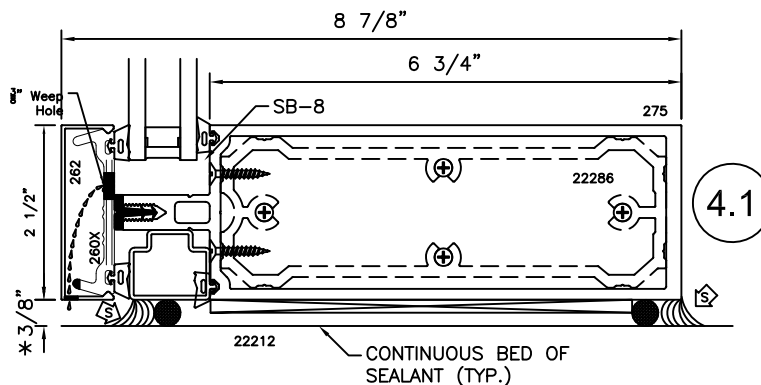
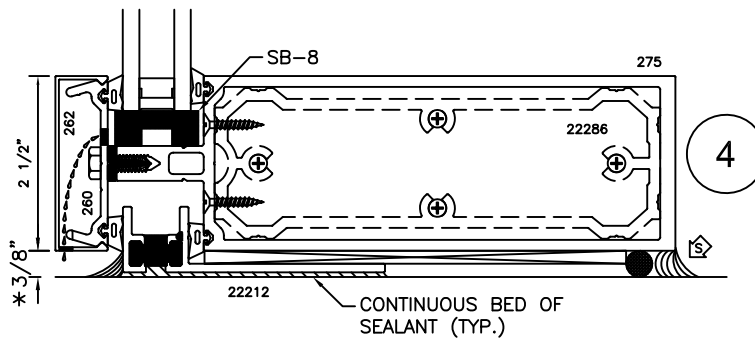
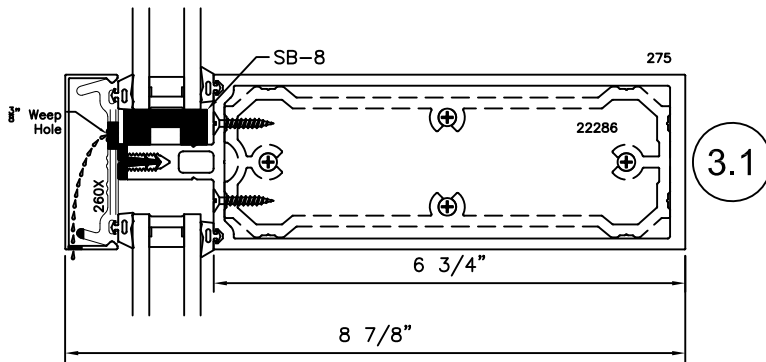
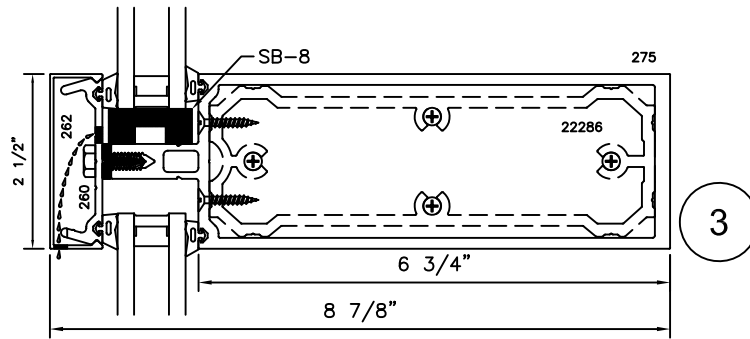




MANKO

2-1/2" X 8-7/8" (6-3/4" B. M.) 250 C.W. EXTERIOR GLAZED CURTAIN WALL STANDARD / OPTIONAL DETAILS

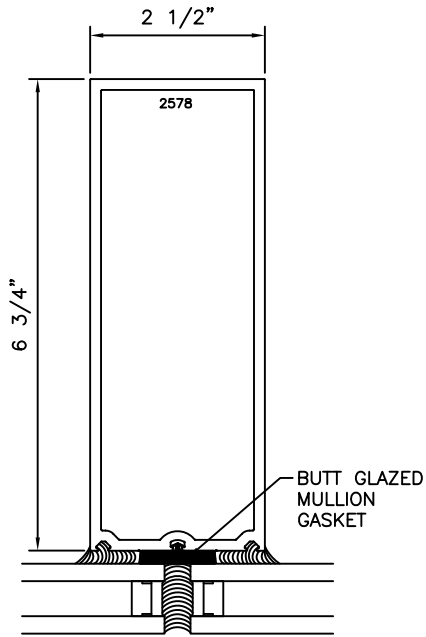
* MINIMUM RECOMMENDED FOR THERMAL ISOLATION.
INCREASE AS REQUIRED TO COMPLY WITH SEALANT
MANUFACTURERS' INSTRUCTIONS





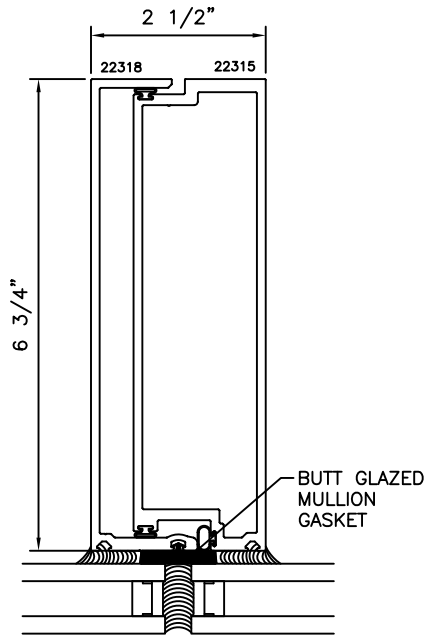
MANKO

2-1/2" X 8-7/8" (6-3/4" B. M.) 250 C.W. EXTERIOR GLAZED CURTAIN WALL STANDARD / OPTIONAL DETAILS



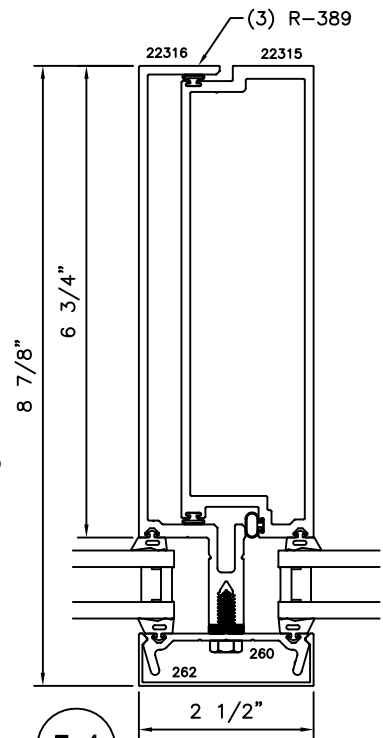
OPT.

5.2



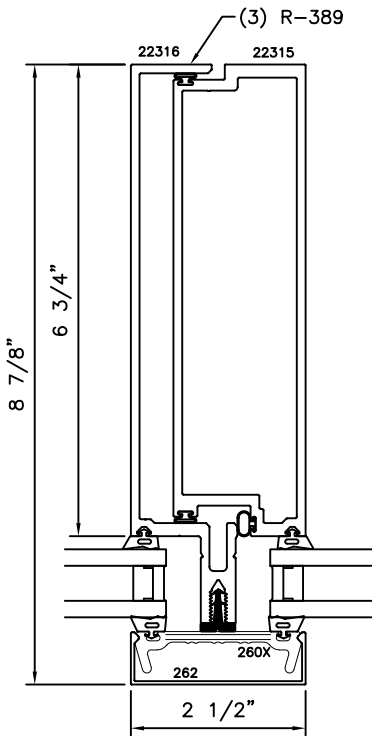
OPT.

5.3



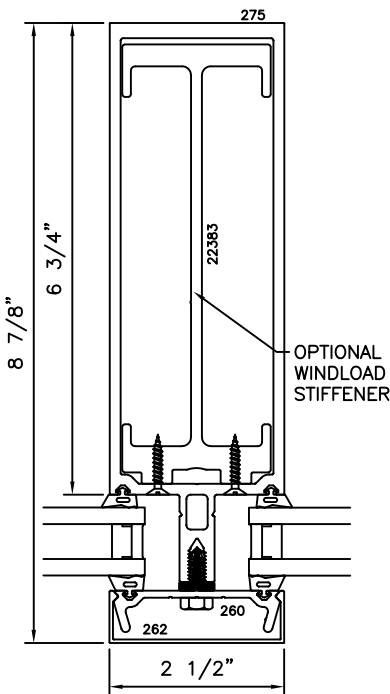
OPT.

5.4



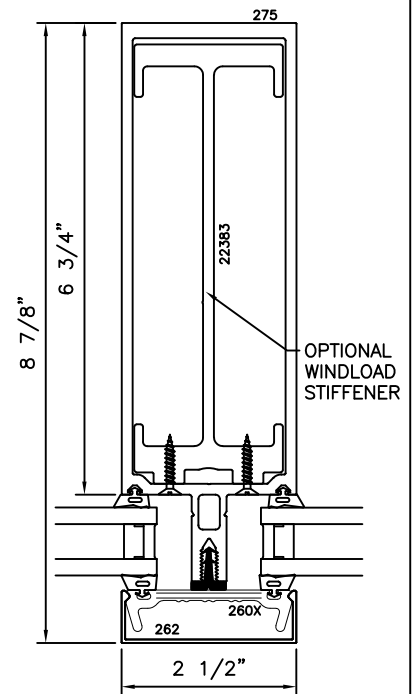
OPT.

5.5



OPT.

5.6



OPT.

5.7