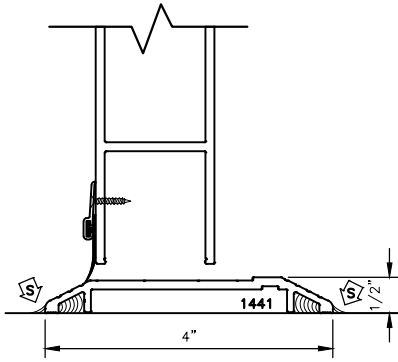
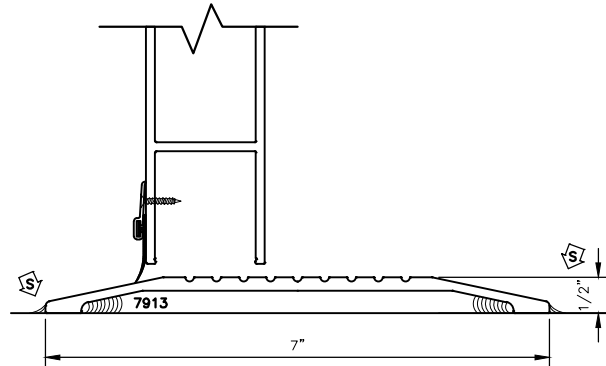




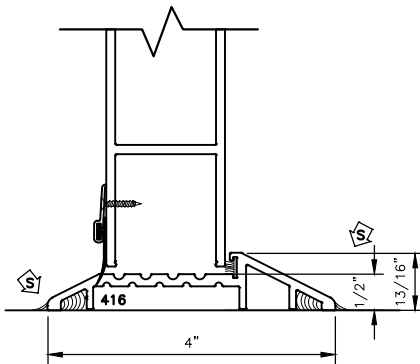
100/135/150 SERIES DOOR THRESHOLD OPTIONAL DETAILS



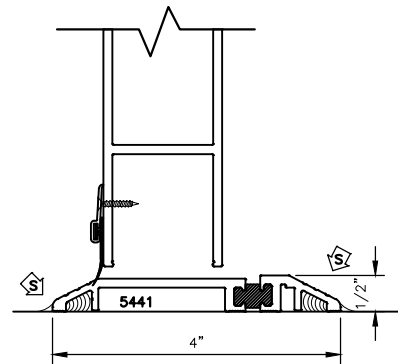
STANDARD 1/2" X 4" THRESHOLD



OPTIONAL 1/2" X 7" EXTENDED THRESHOLD



OPTIONAL 13/16" X 4" THRESHOLD WITH NOSE



OPTIONAL 1/2" X 4" THERMALLY BROKEN THRESHOLD

BOTTOM RAIL SIZE VARIES