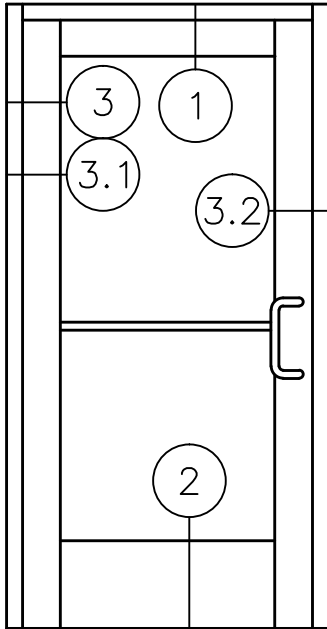


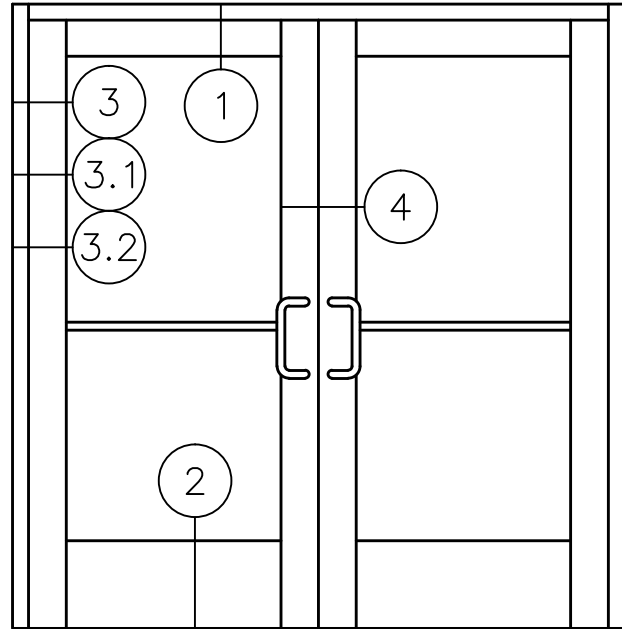


2450CG

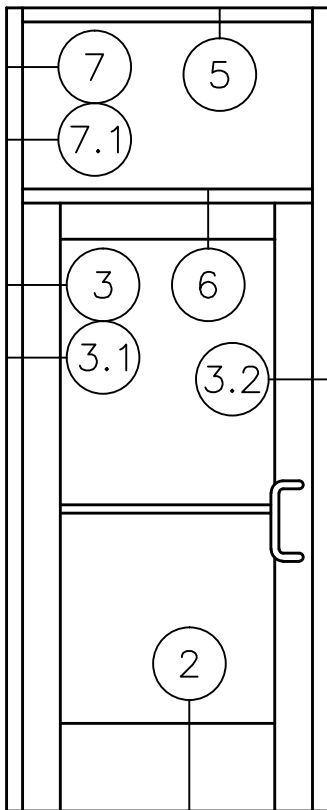
2" X 4 1/2" THERMALLY BROKEN
STOREFRONT DOOR FRAME
WITH 135i SERIES (MEDIUM STILE)
DOOR STANDARD DETAILS



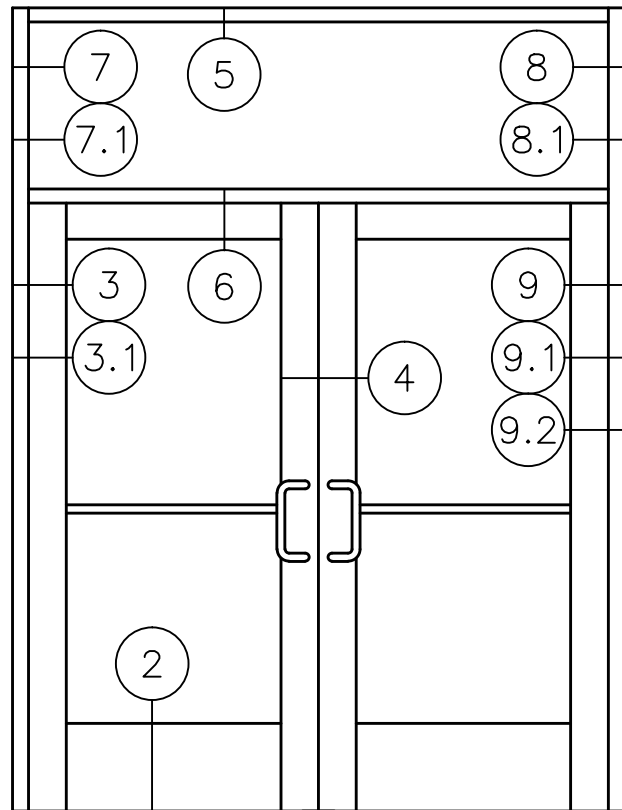
SINGLE DOOR
WITHOUT TRANSOM
STANDARD CONFIGURATION



PAIR DOORS
WITHOUT TRANSOM
STANDARD CONFIGURATION



SINGLE DOOR
WITH TRANSOM
STANDARD CONFIGURATION



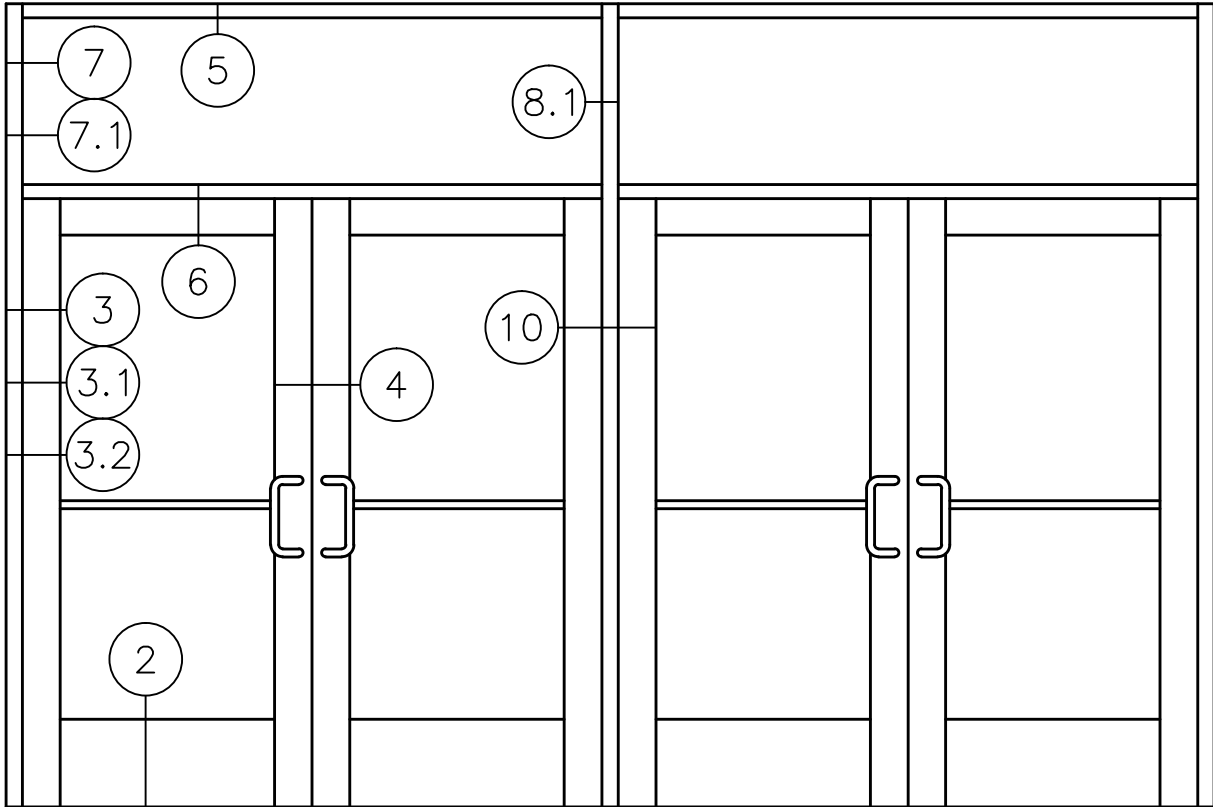
PAIR DOORS
WITH TRANSOM
STANDARD CONFIGURATION



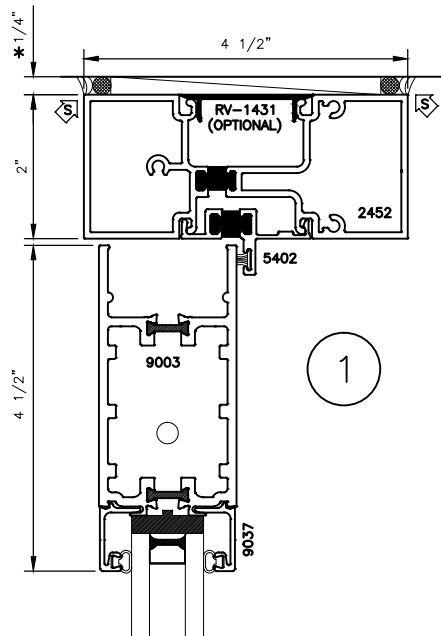
2450CG

2" X 4 1/2" THERMALLY BROKEN STOREFRONT DOOR FRAME WITH 135i SERIES (MEDIUM STILE) DOOR STANDARD DETAILS

* MINIMUM RECOMMENDED FOR THERMAL ISOLATION.
INCREASE AS REQUIRED TO COMPLY WITH SEALANT
MANUFACTURERS' INSTRUCTIONS



MULTIPLE PAIR DOORS MULLED TOGETHER
WITH TRANSOM STANDARD CONFIGURATION

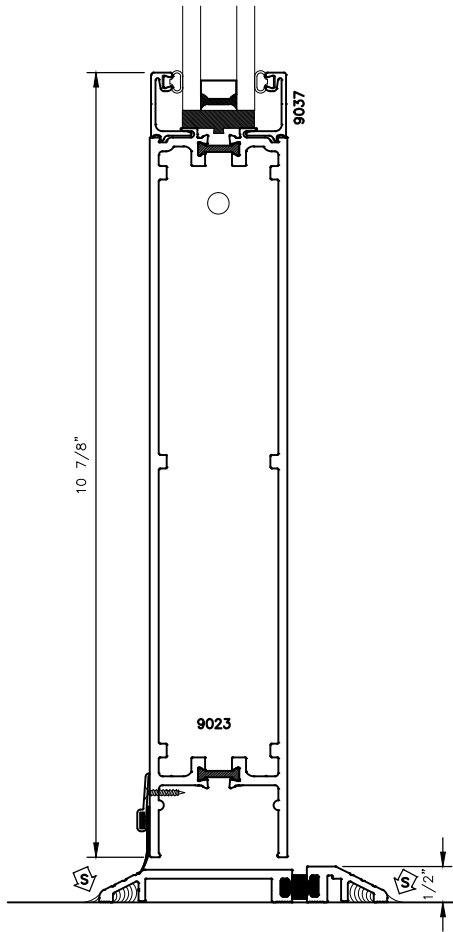




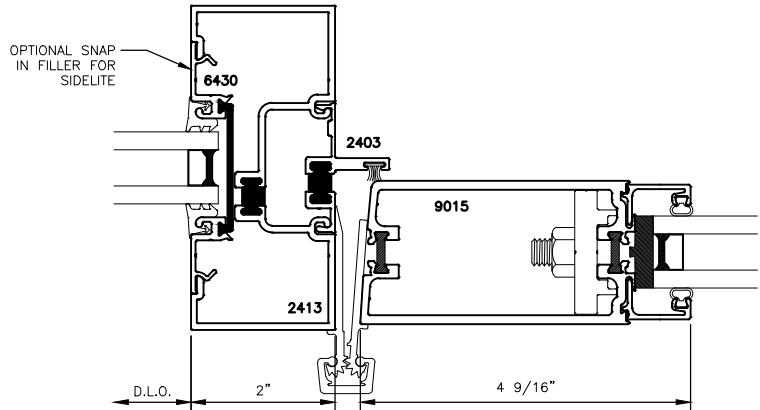
2450CG

2" X 4 1/2" THERMALLY BROKEN
STOREFRONT DOOR FRAME
WITH 135i SERIES (MEDIUM STILE)
DOOR STANDARD DETAILS

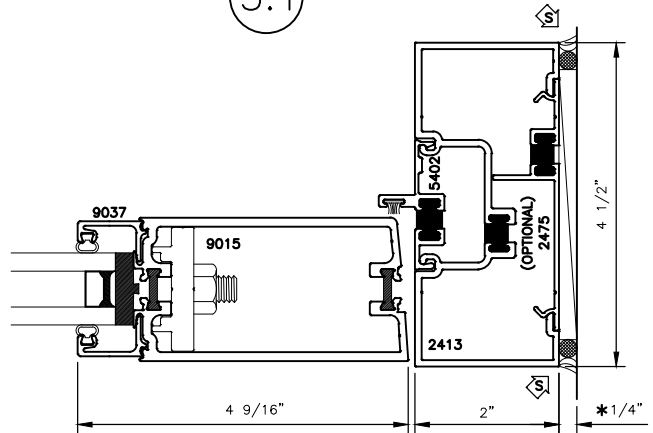
* MINIMUM RECOMMENDED FOR THERMAL ISOLATION.
INCREASE AS REQUIRED TO COMPLY WITH SEALANT
MANUFACTURERS' INSTRUCTIONS



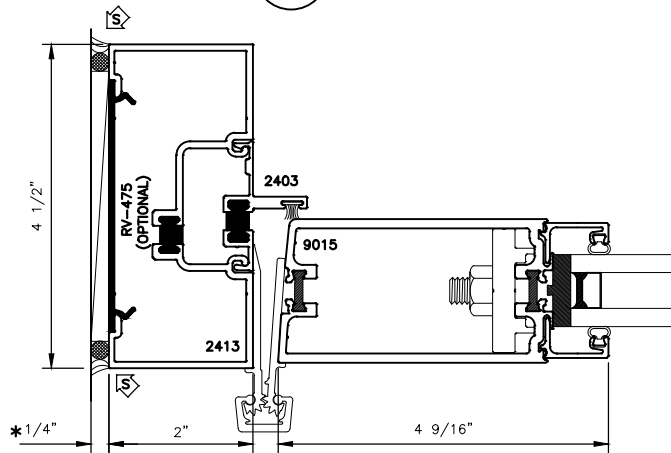
2



OPT.
3.1



OPT.
3.2



3

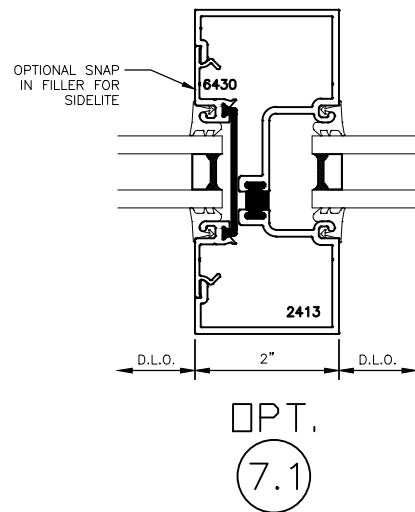
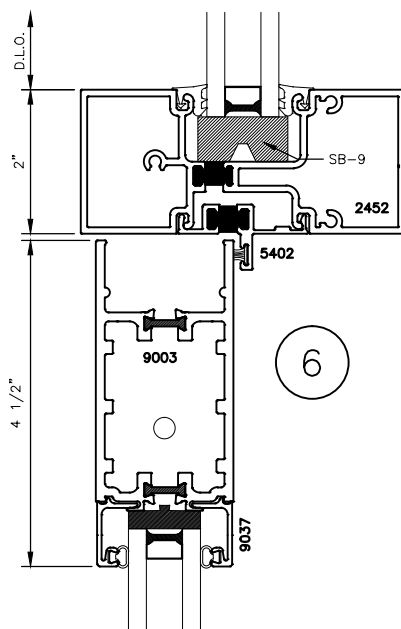
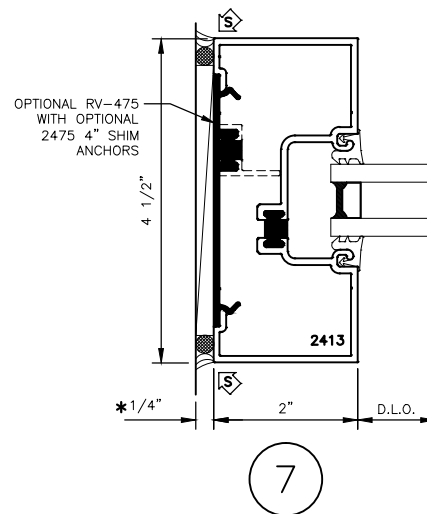
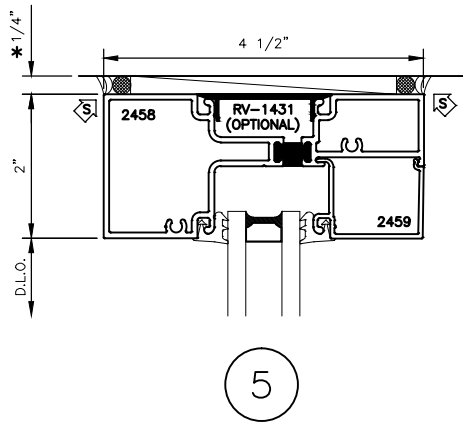
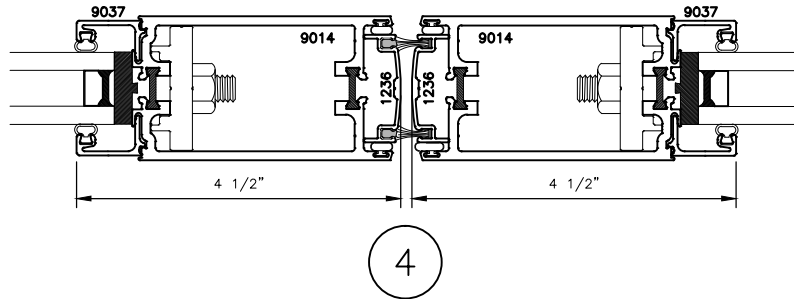
STANDARD SWEEP AND THRESHOLD SHOWN



2450CG

2" X 4 1/2" THERMALLY BROKEN
STOREFRONT DOOR FRAME
WITH 135i SERIES (MEDIUM STILE)
DOOR STANDARD DETAILS

* MINIMUM RECOMMENDED FOR THERMAL ISOLATION.
INCREASE AS REQUIRED TO COMPLY WITH SEALANT
MANUFACTURERS' INSTRUCTIONS

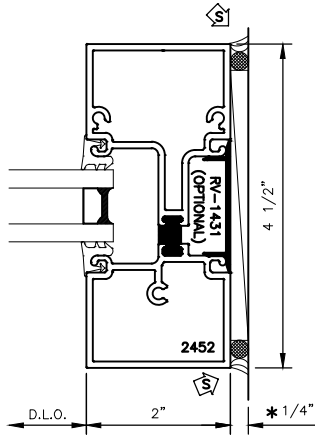




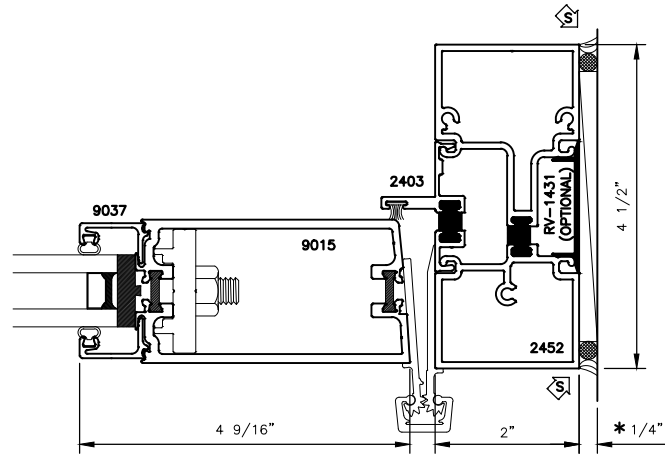
2450CG

2" X 4 1/2" THERMALLY BROKEN
STOREFRONT DOOR FRAME
WITH 135i SERIES (MEDIUM STILE)
DOOR STANDARD DETAILS

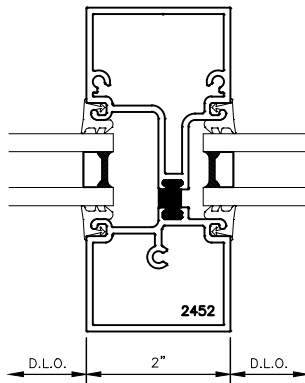
* MINIMUM RECOMMENDED FOR THERMAL ISOLATION.
INCREASE AS REQUIRED TO COMPLY WITH SEALANT
MANUFACTURERS' INSTRUCTIONS



8

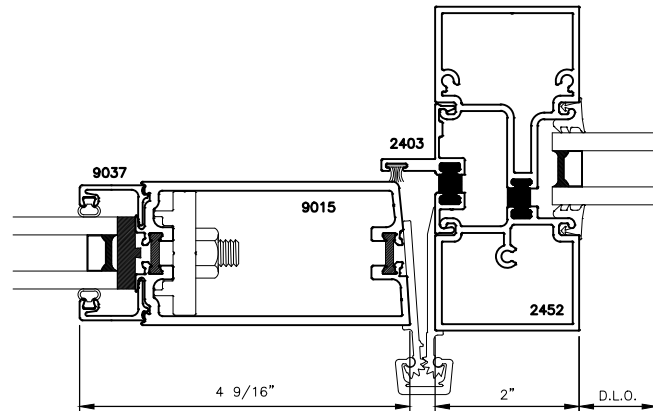


9



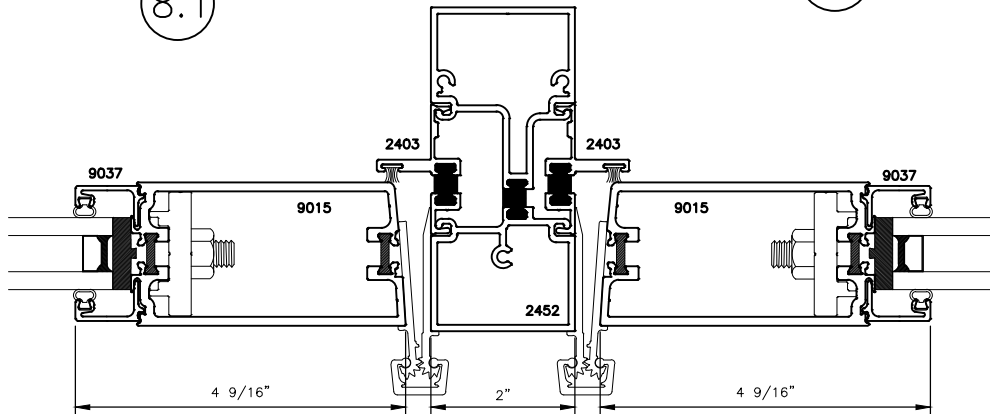
OPT.

8.1



OPT.

9.1



10