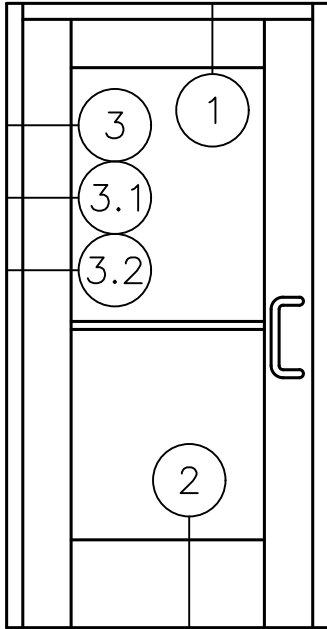


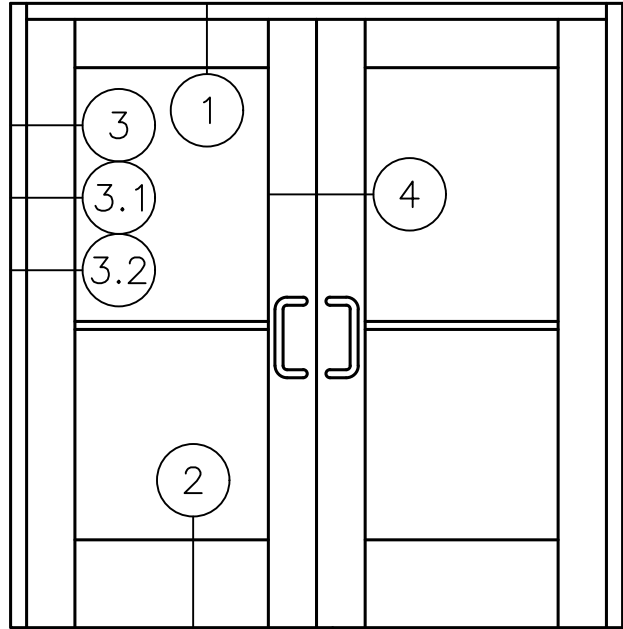


2450FS

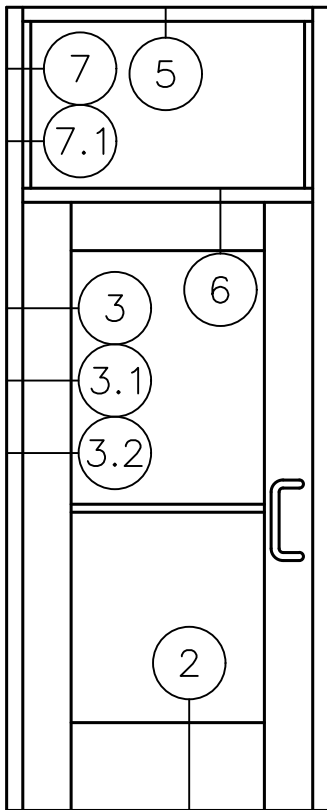
2" X 4 1/2" NON-THERMAL
STOREFRONT DOOR FRAME
WITH 150 SERIES (WIDE STILE)
DOOR STANDARD DETAILS



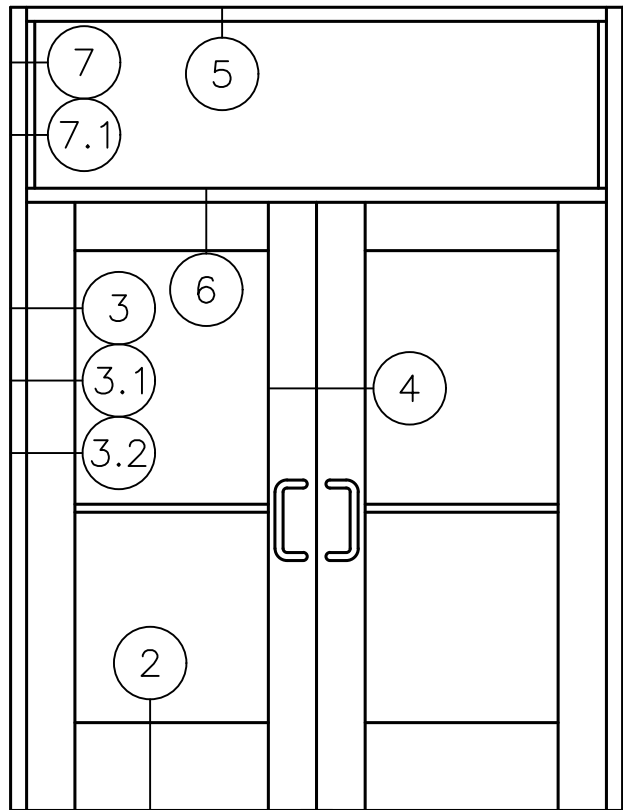
SINGLE DOOR
WITHOUT TRANSOM
STANDARD CONFIGURATION



PAIR DOORS
WITHOUT TRANSOM
STANDARD CONFIGURATION



SINGLE DOOR
WITH TRANSOM
STANDARD CONFIGURATION



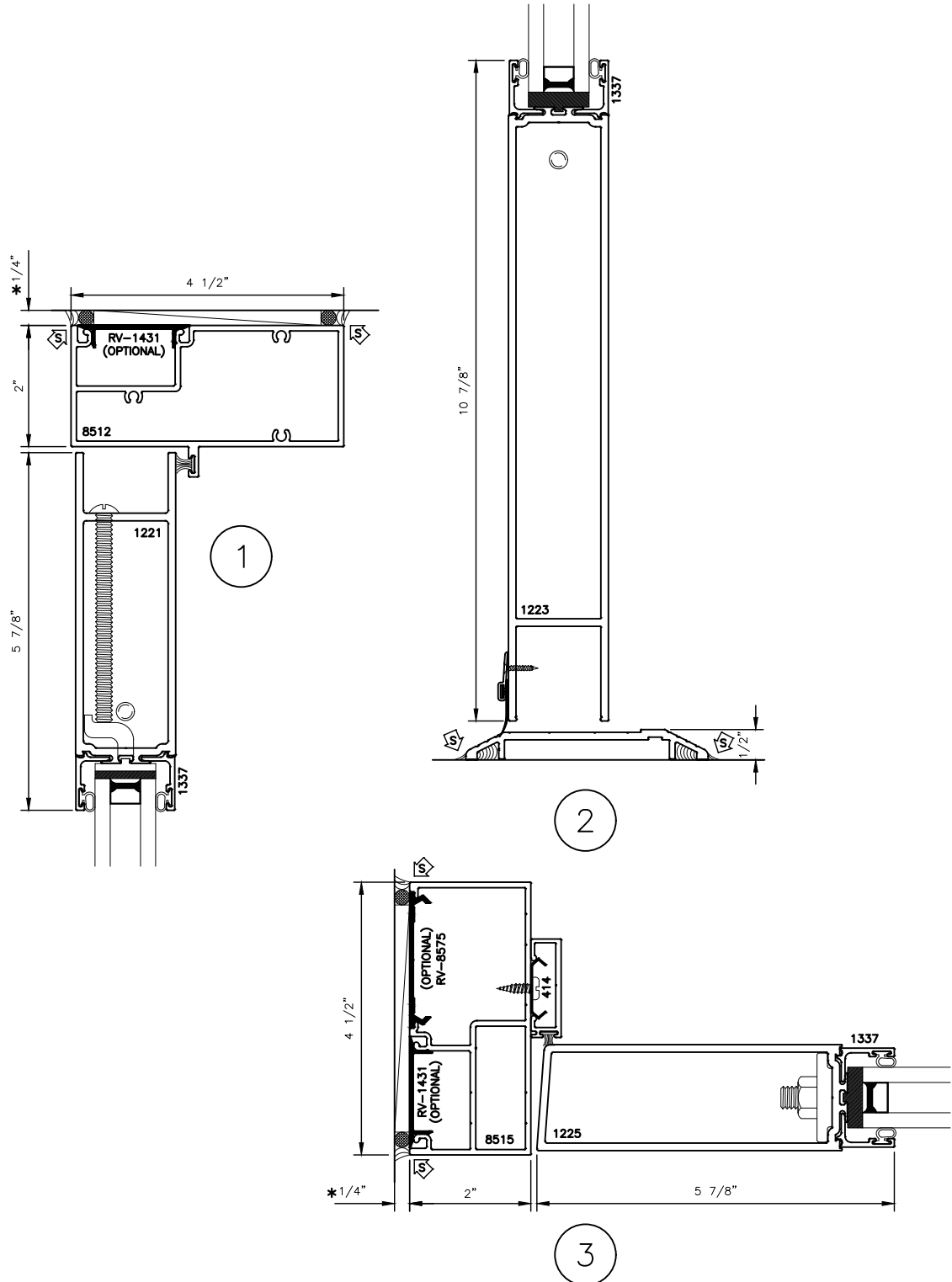
PAIR DOORS
WITH TRANSOM
STANDARD CONFIGURATION



2450FS

2" X 4 1/2" NON-THERMAL
STOREFRONT DOOR FRAME
WITH 150 SERIES (WIDE STILE)
DOOR STANDARD DETAILS

* MINIMUM RECOMMENDED FOR THERMAL ISOLATION.
INCREASE AS REQUIRED TO COMPLY WITH SEALANT
MANUFACTURERS' INSTRUCTIONS



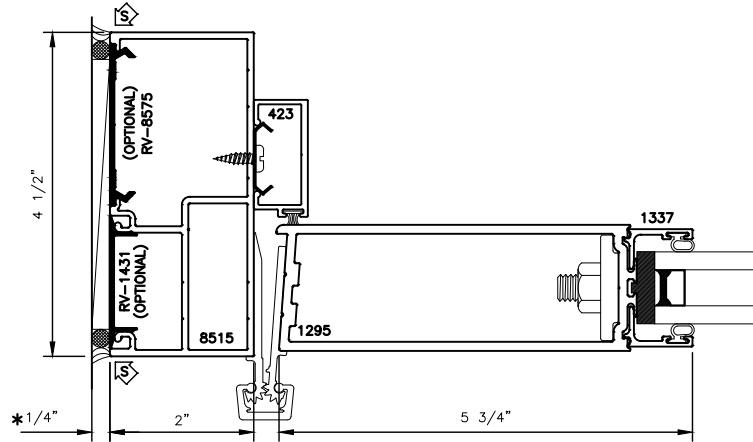
STANDARD SWEEP AND THRESHOLD SHOWN



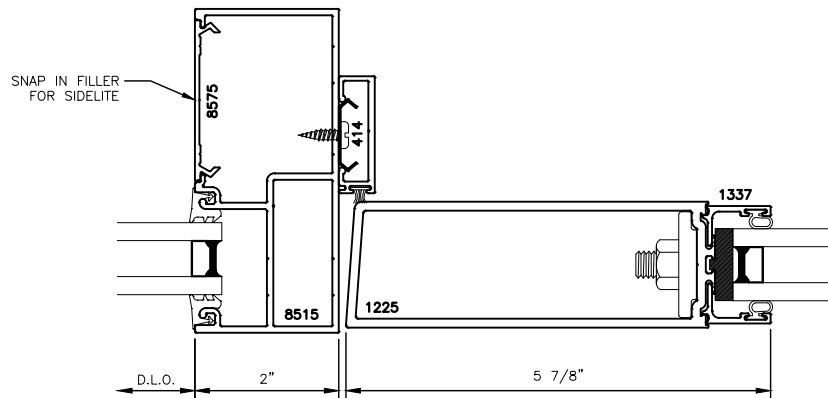
2450FS

2" X 4 1/2" NON-THERMAL
STOREFRONT DOOR FRAME
WITH 150 SERIES (WIDE STILE)
DOOR STANDARD DETAILS

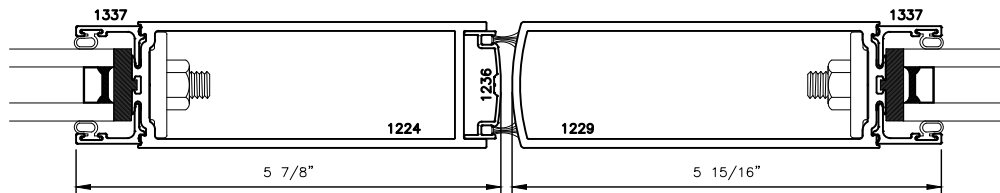
* MINIMUM RECOMMENDED FOR THERMAL ISOLATION.
INCREASE AS REQUIRED TO COMPLY WITH SEALANT
MANUFACTURERS' INSTRUCTIONS



OPT.
3.1



OPT.
3.2



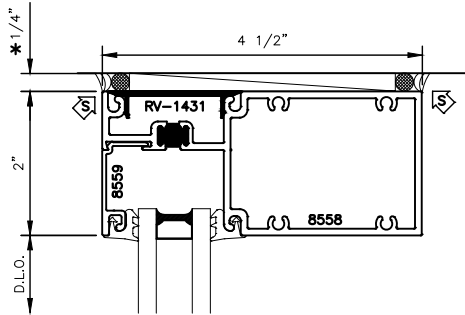
4



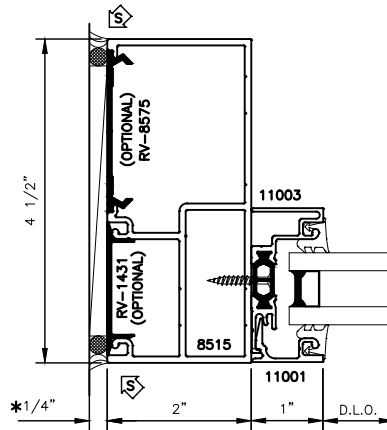
2450FS

2" X 4 1/2" NON-THERMAL
STOREFRONT DOOR FRAME
WITH 150 SERIES (WIDE STILE)
DOOR STANDARD DETAILS

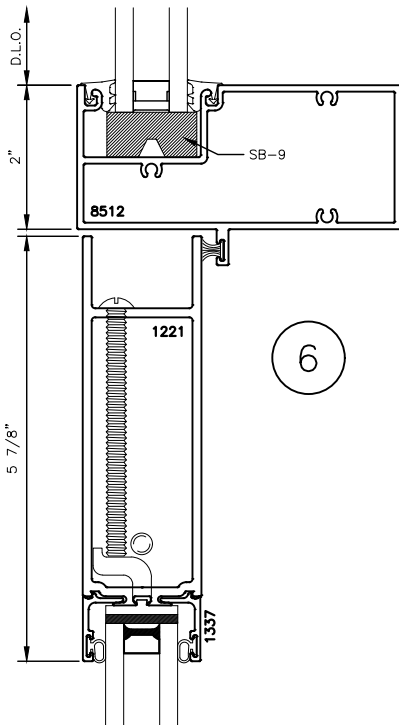
* MINIMUM RECOMMENDED FOR THERMAL ISOLATION.
INCREASE AS REQUIRED TO COMPLY WITH SEALANT
MANUFACTURERS' INSTRUCTIONS



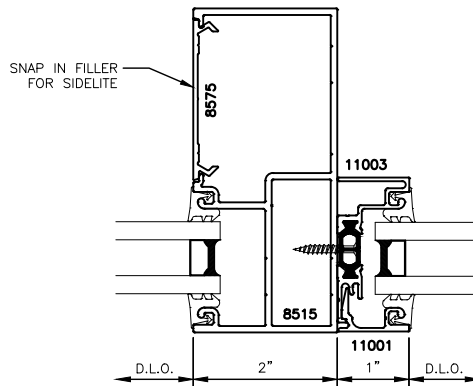
5



7



6



OPT.
7.1