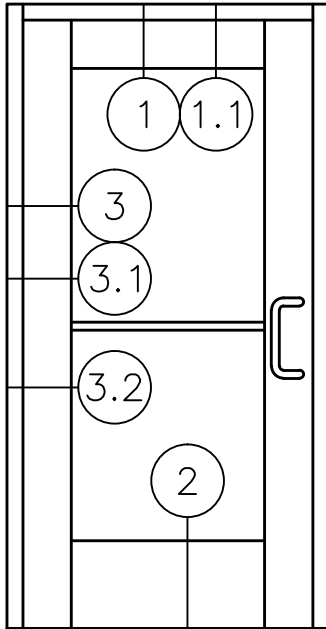


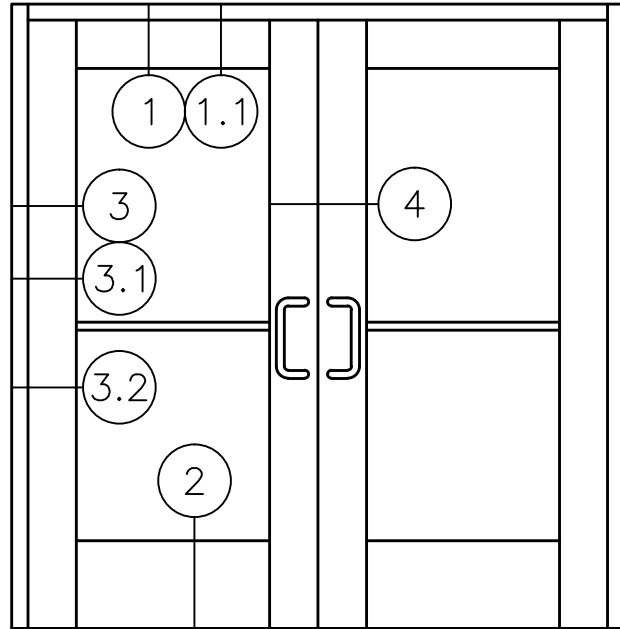


1450

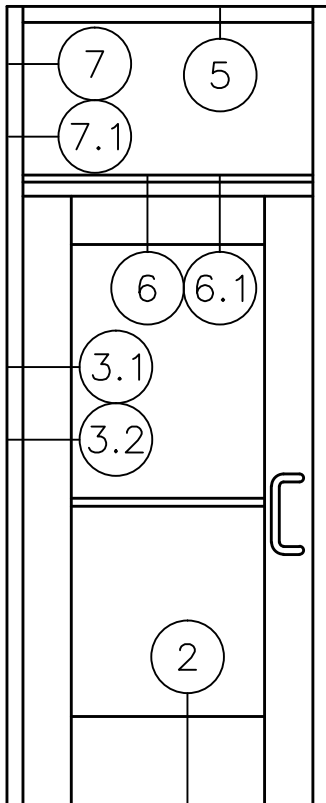
2" X 4 1/2" STOREFRONT DOOR FRAMING
 WITH 150 SERIES (WIDE STILE)
 DOOR DETAILS - CENTER PIVOT &
 CONCEALED OVERHEAD CLOSER



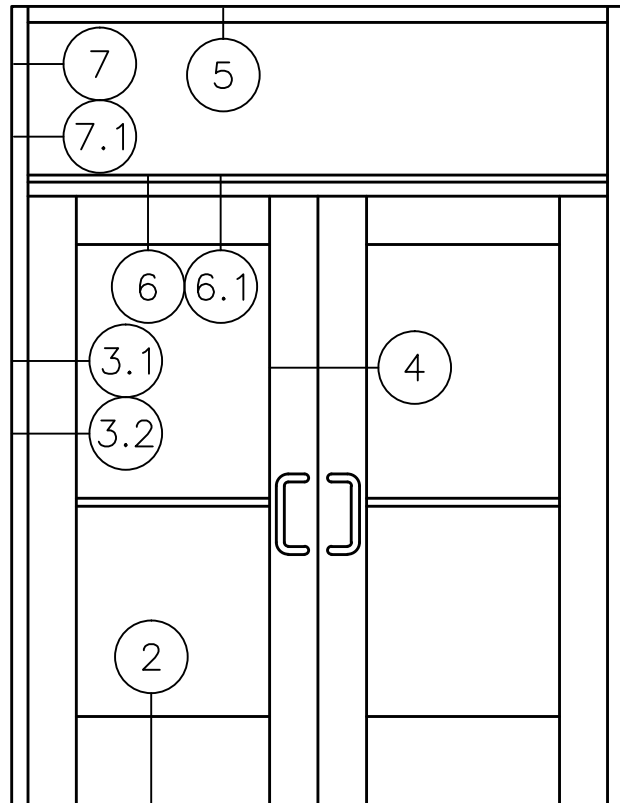
SINGLE DOOR
 WITHOUT TRANSOM
 STANDARD CONFIGURATION



PAIR DOORS
 WITHOUT TRANSOM
 STANDARD CONFIGURATION



SINGLE DOOR
 WITH TRANSOM
 STANDARD CONFIGURATION



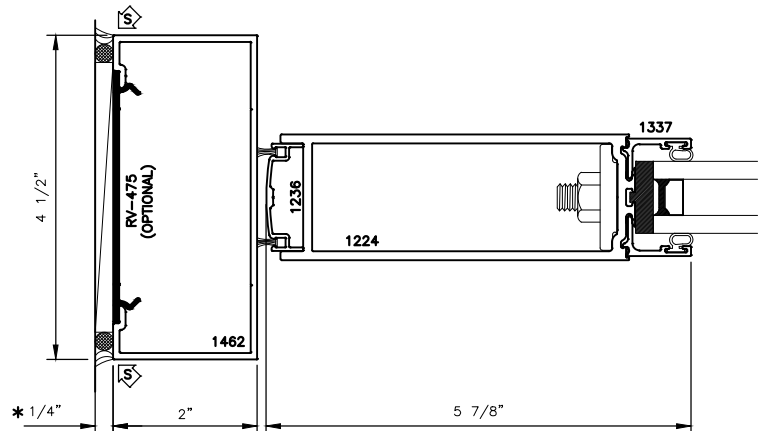
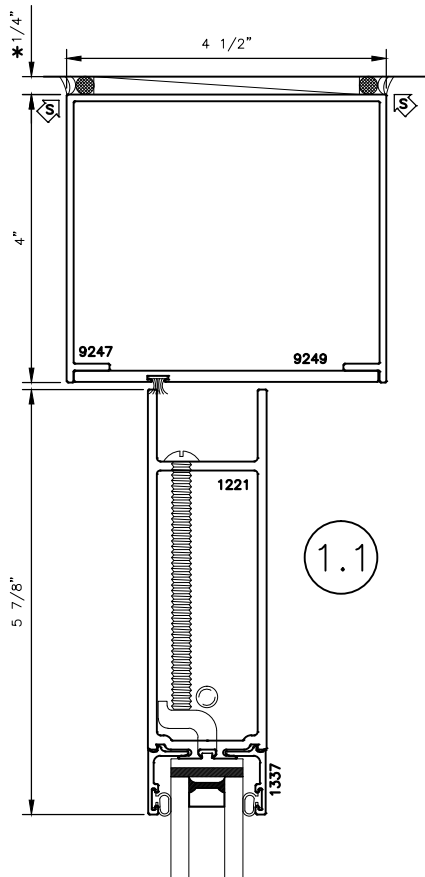
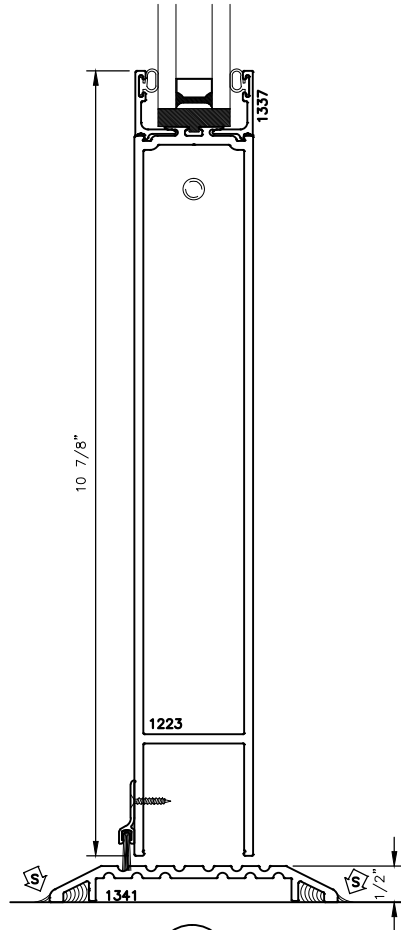
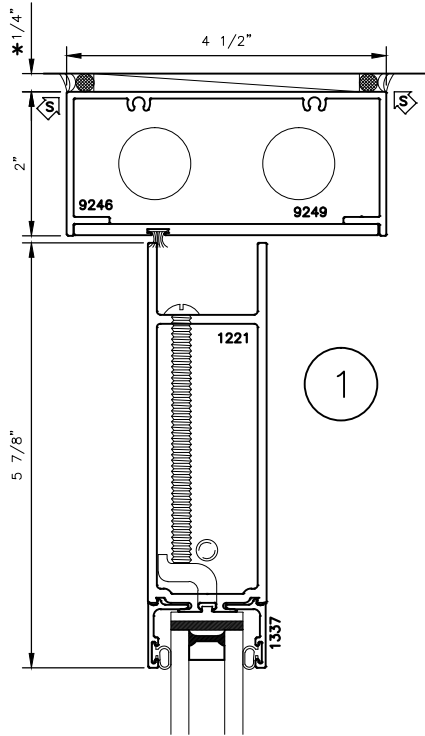
PAIR DOORS
 WITH TRANSOM
 STANDARD CONFIGURATION



1450

2" X 4 1/2" STOREFRONT DOOR FRAMING
 WITH 150 SERIES (WIDE STILE)
 DOOR DETAILS - CENTER PIVOT &
 CONCEALED OVERHEAD CLOSER

* MINIMUM RECOMMENDED FOR THERMAL ISOLATION.
 INCREASE AS REQUIRED TO COMPLY WITH SEALANT
 MANUFACTURERS' INSTRUCTIONS



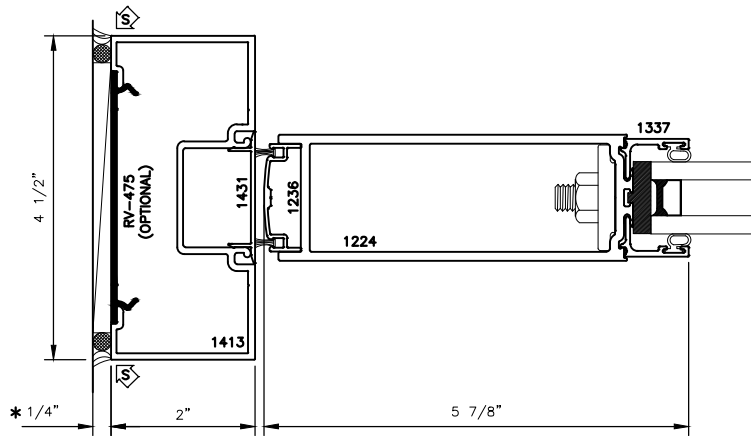
STANDARD SWEEP AND THRESHOLD SHOWN



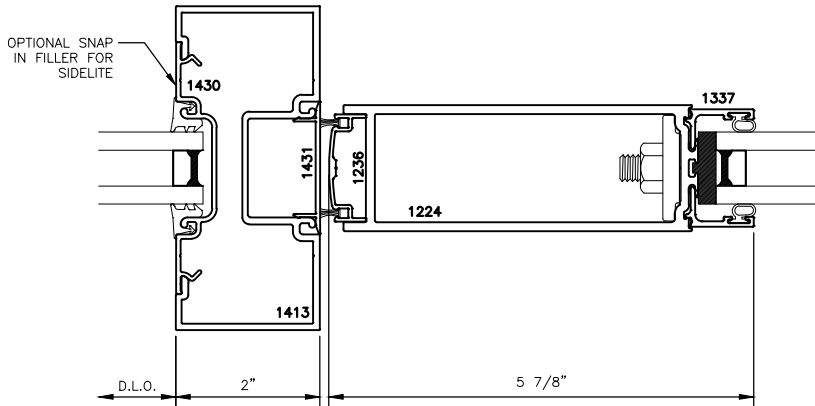
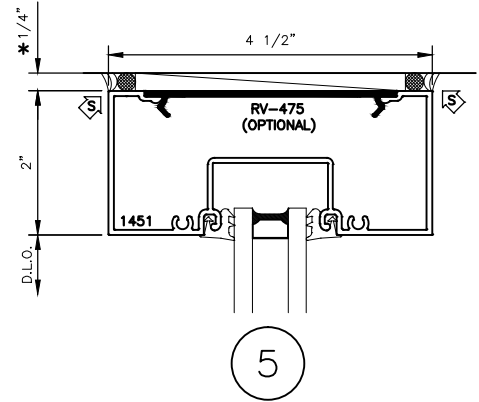
1450

2" X 4 1/2" STOREFRONT DOOR FRAMING
 WITH 150 SERIES (WIDE STILE)
 DOOR DETAILS - CENTER PIVOT &
 CONCEALED OVERHEAD CLOSER

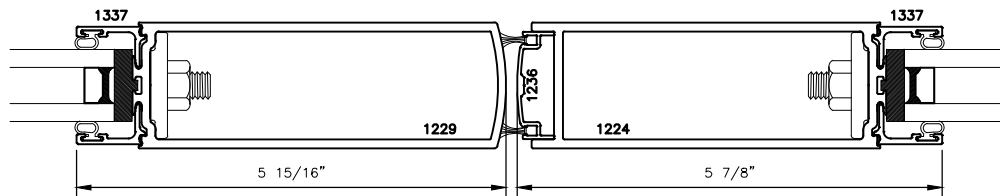
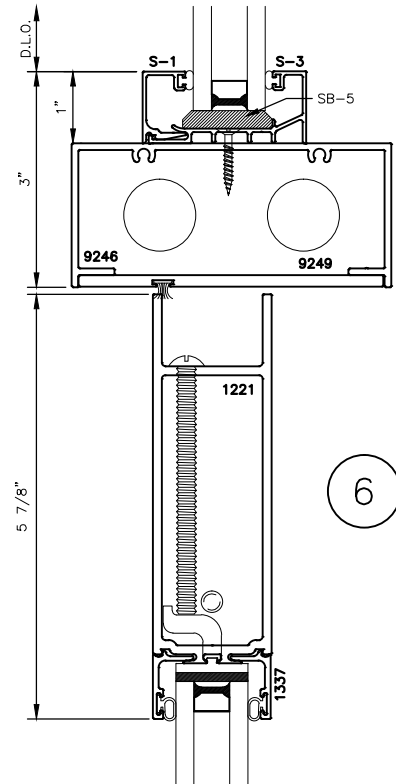
* MINIMUM RECOMMENDED FOR THERMAL ISOLATION.
 INCREASE AS REQUIRED TO COMPLY WITH SEALANT
 MANUFACTURERS' INSTRUCTIONS



OPT.
 3.1



OPT.
 3.2



4



1450

2" X 4 1/2" STOREFRONT DOOR FRAMING
 WITH 150 SERIES (WIDE STILE)
 DOOR DETAILS - CENTER PIVOT &
 CONCEALED OVERHEAD CLOSER

* MINIMUM RECOMMENDED FOR THERMAL ISOLATION.
 INCREASE AS REQUIRED TO COMPLY WITH SEALANT
 MANUFACTURERS' INSTRUCTIONS

