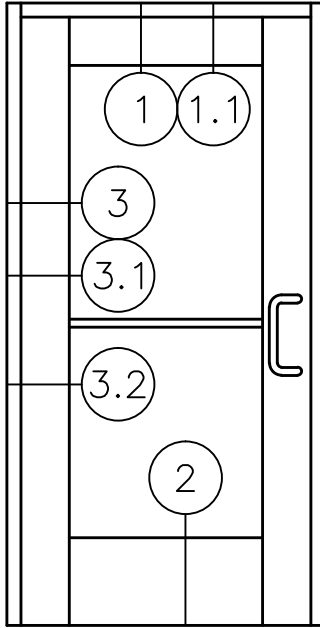


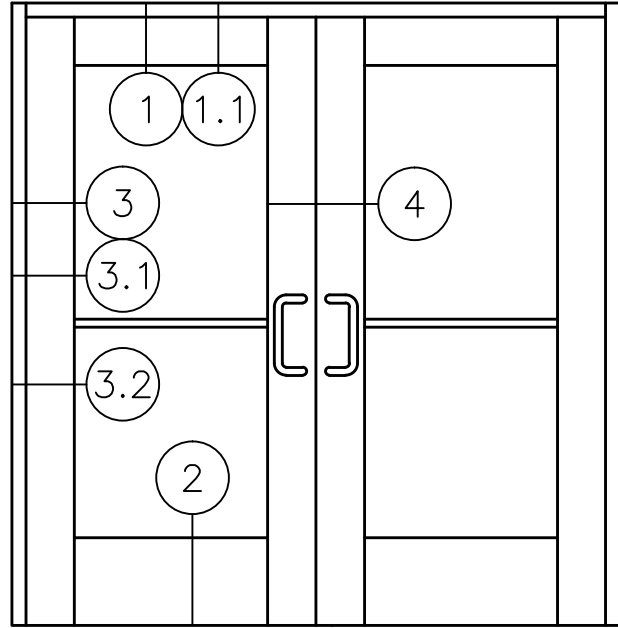


450

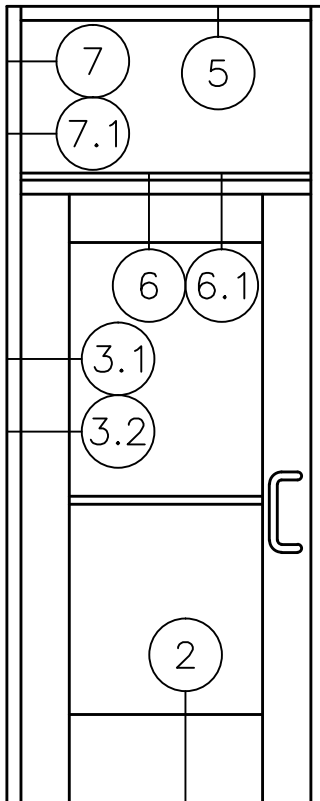
1 3/4" X 4 1/2" STOREFRONT DOOR FRAMING  
WITH 150 SERIES (WIDE STILE)  
DOOR DETAILS - CENTER PIVOT &  
CONCEALED OVERHEAD CLOSER



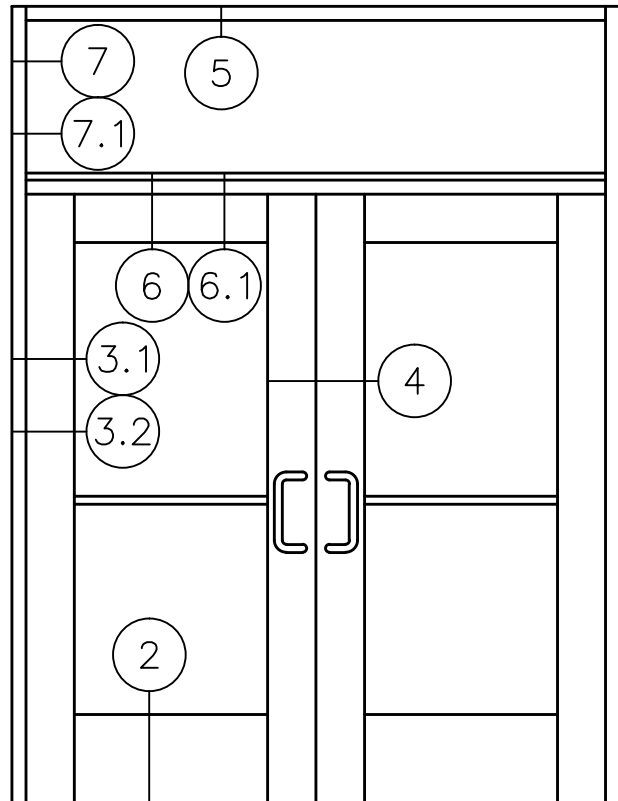
SINGLE DOOR  
WITHOUT TRANSOM  
STANDARD CONFIGURATION



PAIR DOORS  
WITHOUT TRANSOM  
STANDARD CONFIGURATION



SINGLE DOOR  
WITH TRANSOM  
STANDARD CONFIGURATION



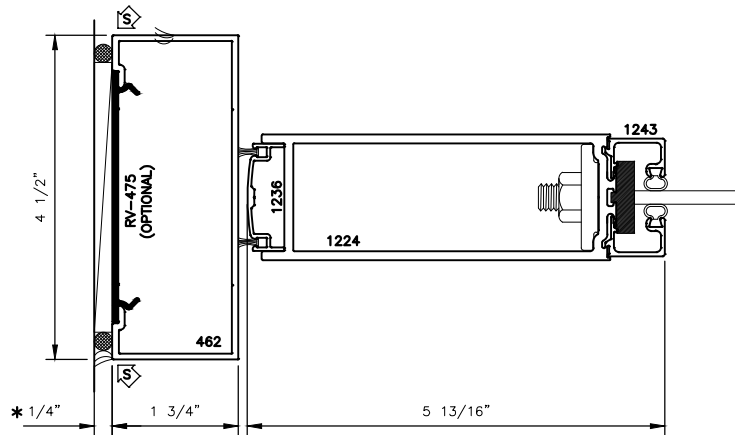
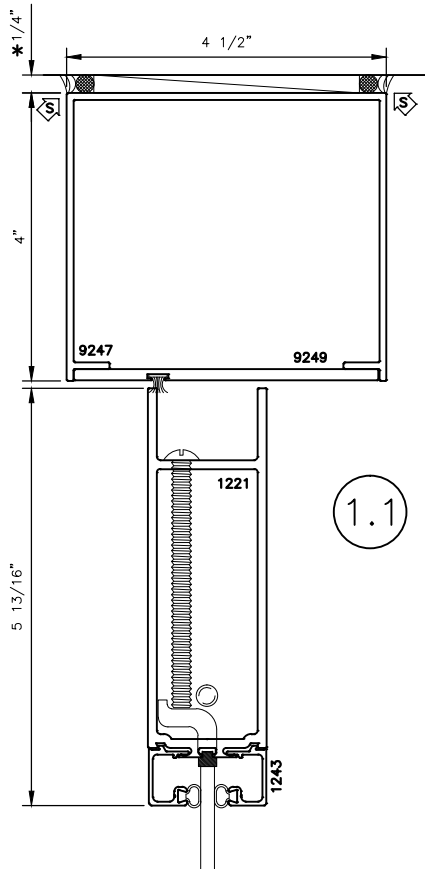
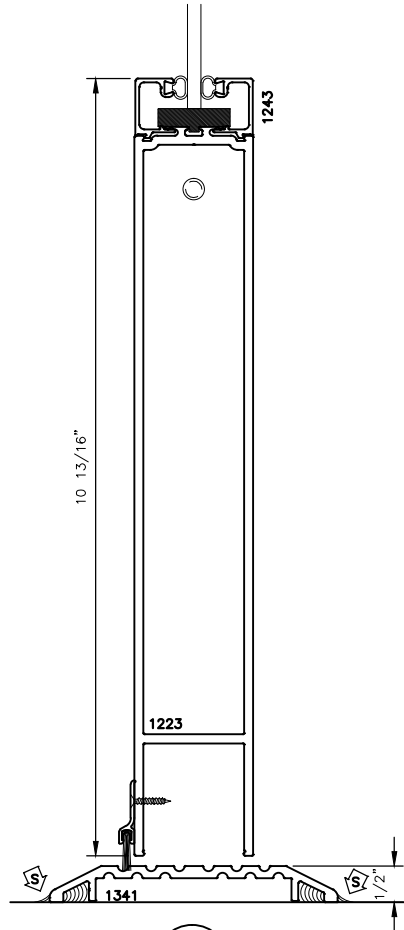
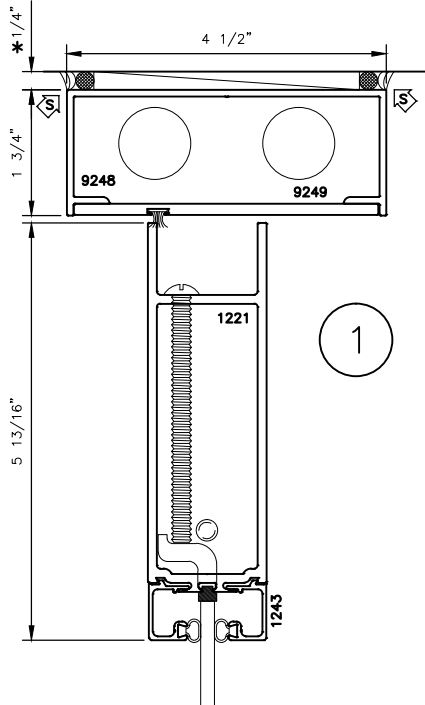
PAIR DOORS  
WITH TRANSOM  
STANDARD CONFIGURATION



450

1 3/4" X 4 1/2" STOREFRONT DOOR FRAMING  
 WITH 150 SERIES (WIDE STILE)  
 DOOR DETAILS - CENTER PIVOT &  
 CONCEALED OVERHEAD CLOSER

\* MINIMUM RECOMMENDED FOR THERMAL ISOLATION.  
 INCREASE AS REQUIRED TO COMPLY WITH SEALANT  
 MANUFACTURERS' INSTRUCTIONS



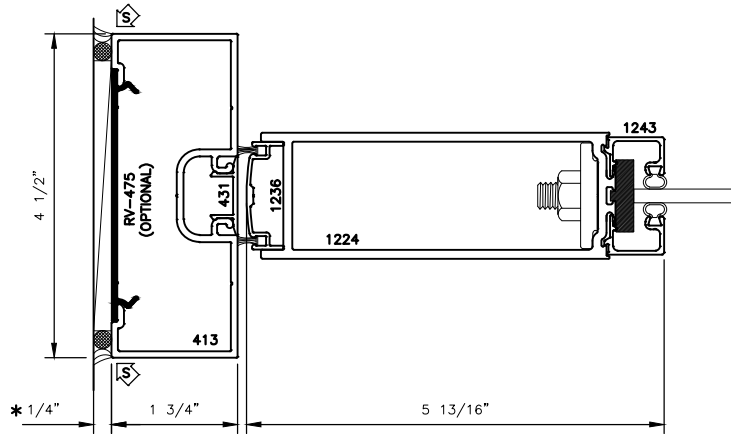
STANDARD SWEEP AND THRESHOLD SHOWN



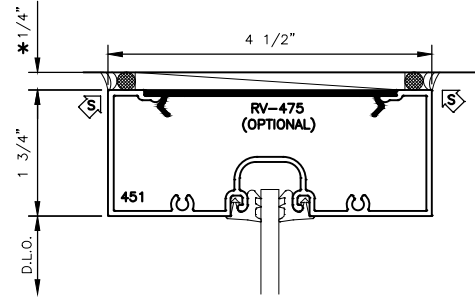
450

1 3/4" X 4 1/2" STOREFRONT DOOR FRAMING  
 WITH 150 SERIES (WIDE STILE)  
 DOOR DETAILS - CENTER PIVOT &  
 CONCEALED OVERHEAD CLOSER

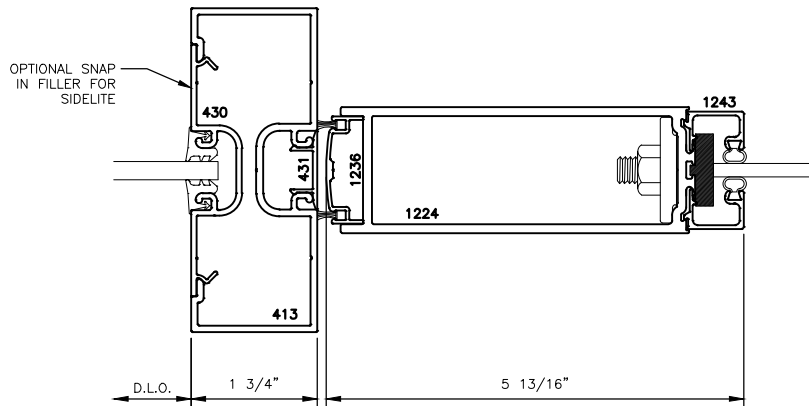
\* MINIMUM RECOMMENDED FOR THERMAL ISOLATION.  
 INCREASE AS REQUIRED TO COMPLY WITH SEALANT  
 MANUFACTURERS' INSTRUCTIONS



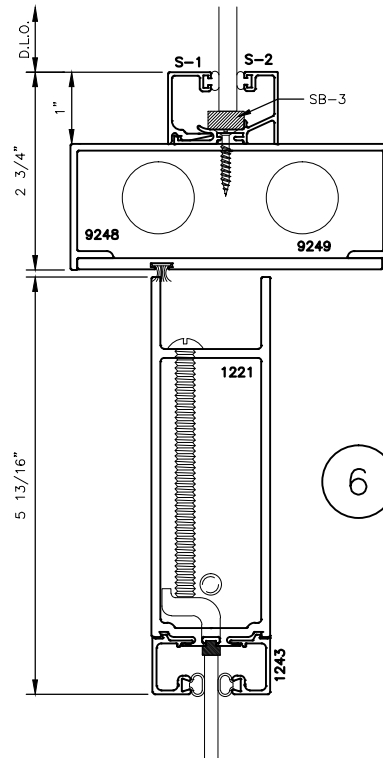
OPT.  
 3.1



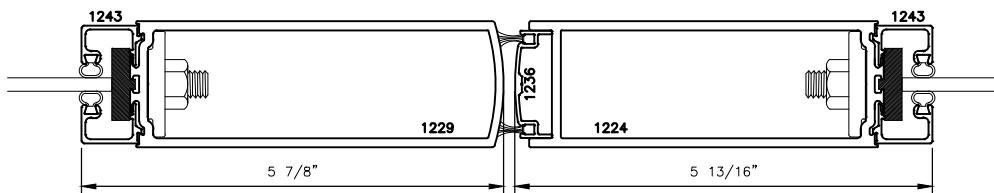
5



OPT.  
 3.2



6



4



450

# 1 3/4" X 4 1/2" STOREFRONT DOOR FRAMING WITH 150 SERIES (WIDE STILE) DOOR DETAILS - CENTER PIVOT & CONCEALED OVERHEAD CLOSER

\* MINIMUM RECOMMENDED FOR THERMAL ISOLATION.  
INCREASE AS REQUIRED TO COMPLY WITH SEALANT  
MANUFACTURERS' INSTRUCTIONS

