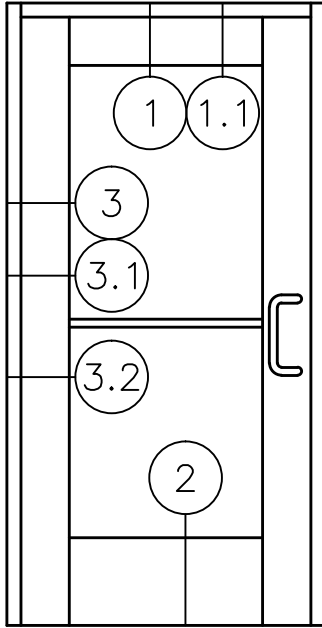


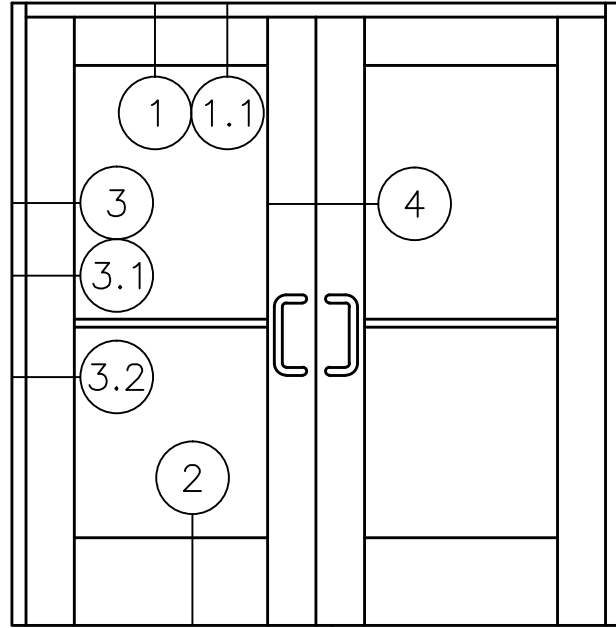


450

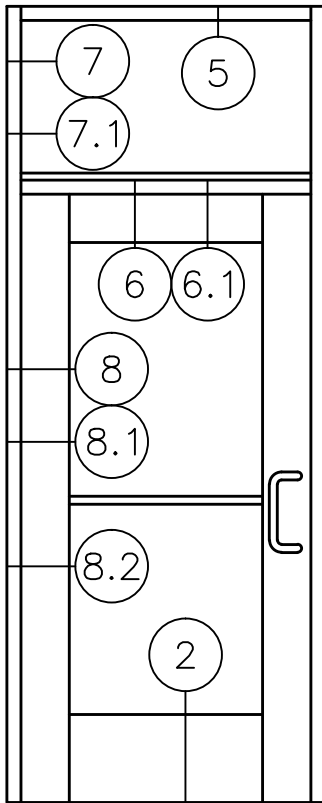
1 3/4" X 4 1/2" STOREFRONT DOOR FRAMING
WITH 150 SERIES (WIDE STILE)
DOOR DETAILS - OFFSET ARM &
CONCEALED OVERHEAD CLOSER



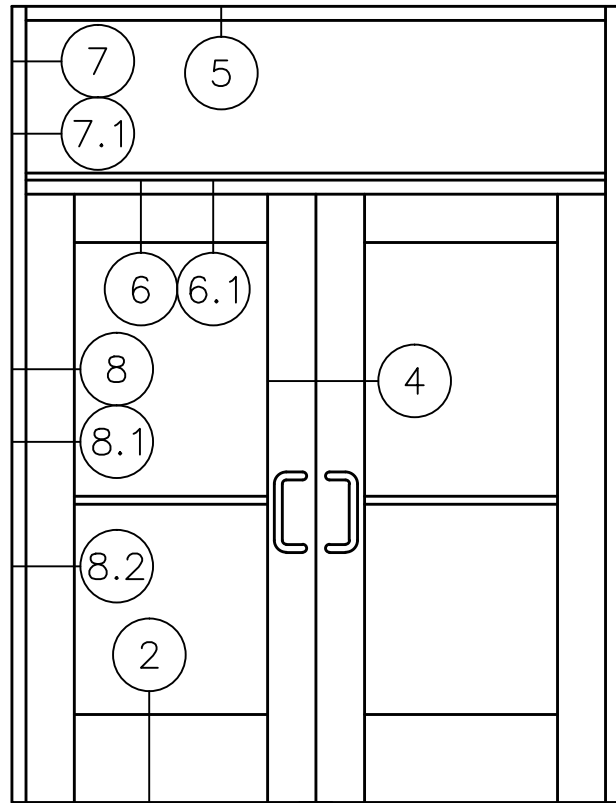
SINGLE DOOR
WITHOUT TRANSOM
STANDARD CONFIGURATION



PAIR DOORS
WITHOUT TRANSOM
STANDARD CONFIGURATION



SINGLE DOOR
WITH TRANSOM
STANDARD CONFIGURATION



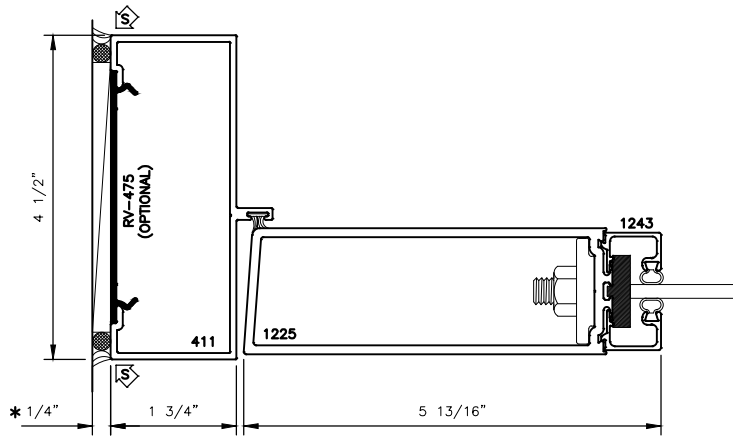
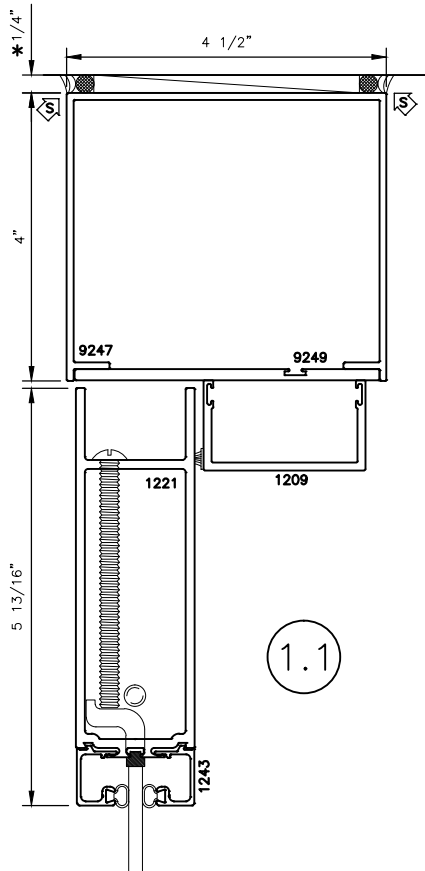
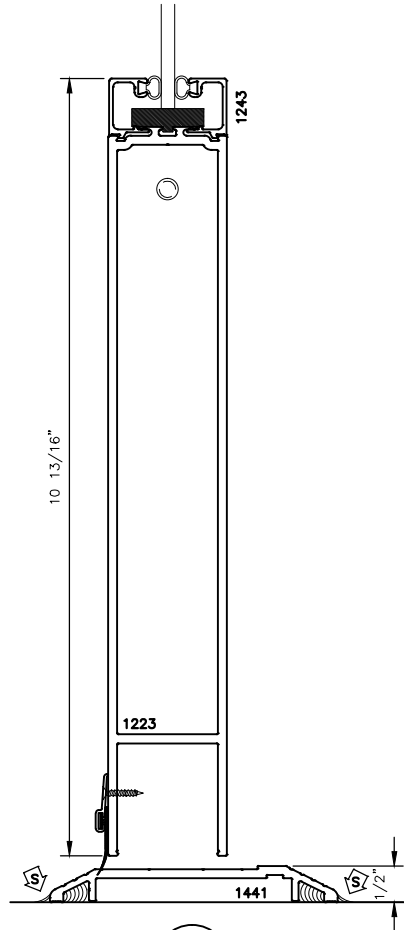
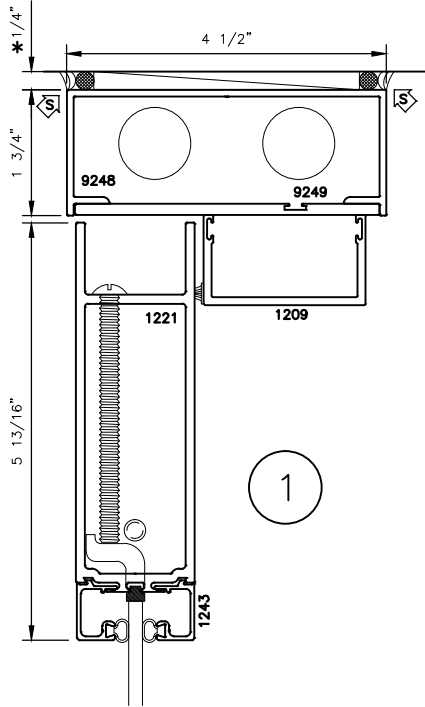
PAIR DOORS
WITH TRANSOM
STANDARD CONFIGURATION



450

1 3/4" X 4 1/2" STOREFRONT DOOR FRAMING
 WITH 150 SERIES (WIDE STILE)
 DOOR DETAILS - OFFSET ARM &
 CONCEALED OVERHEAD CLOSER

* MINIMUM RECOMMENDED FOR THERMAL ISOLATION.
 INCREASE AS REQUIRED TO COMPLY WITH SEALANT
 MANUFACTURERS' INSTRUCTIONS



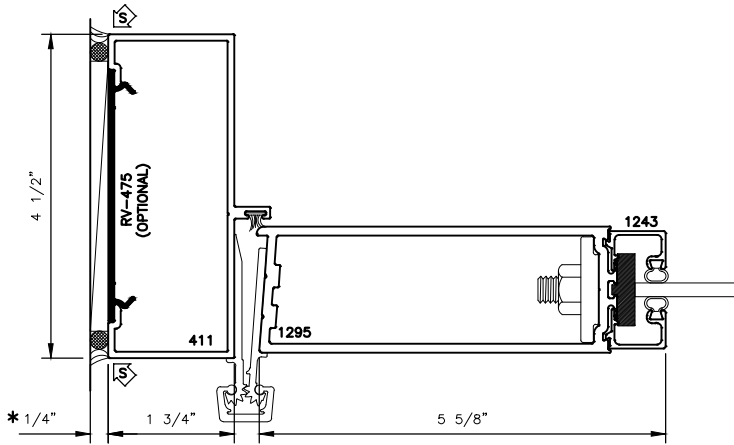
STANDARD SWEEP AND THRESHOLD SHOWN



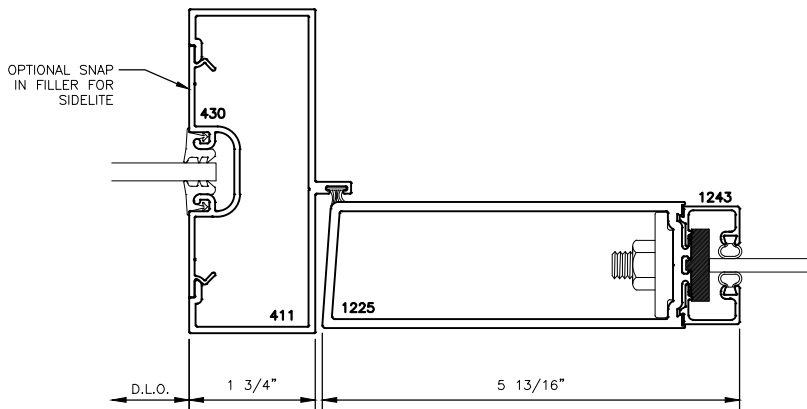
450

1 3/4" X 4 1/2" STOREFRONT DOOR FRAMING
WITH 150 SERIES (WIDE STILE)
DOOR DETAILS - OFFSET ARM &
CONCEALED OVERHEAD CLOSER

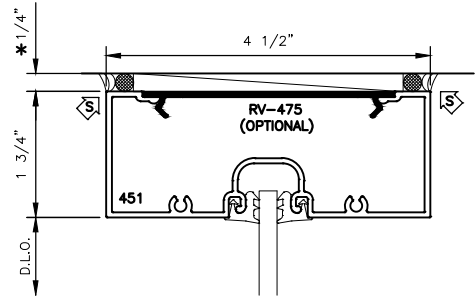
* MINIMUM RECOMMENDED FOR THERMAL ISOLATION.
INCREASE AS REQUIRED TO COMPLY WITH SEALANT
MANUFACTURERS' INSTRUCTIONS



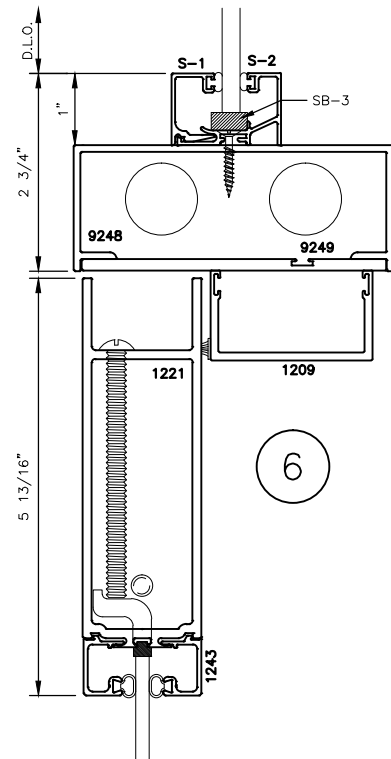
OPT.
3.1



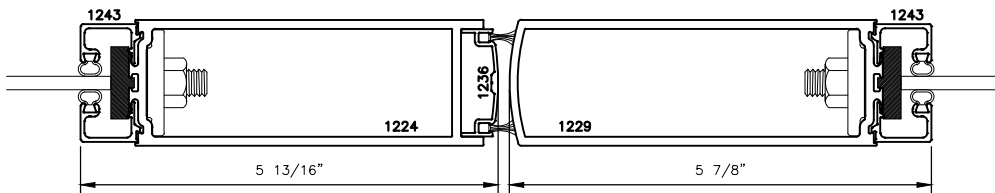
OPT.
3.2



5



6



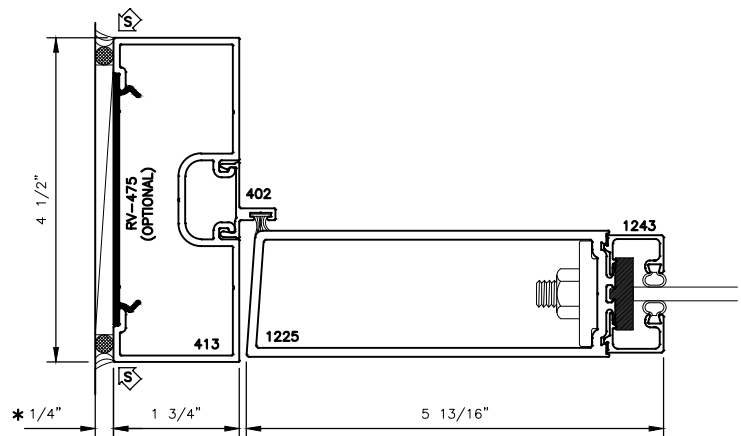
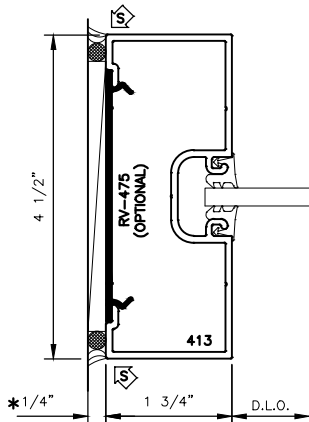
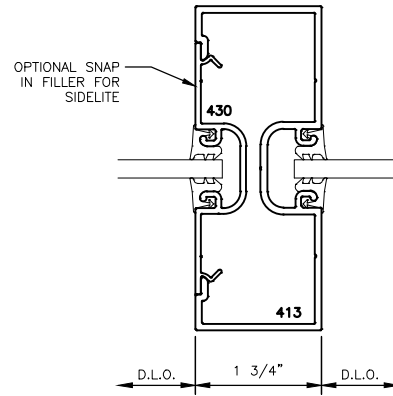
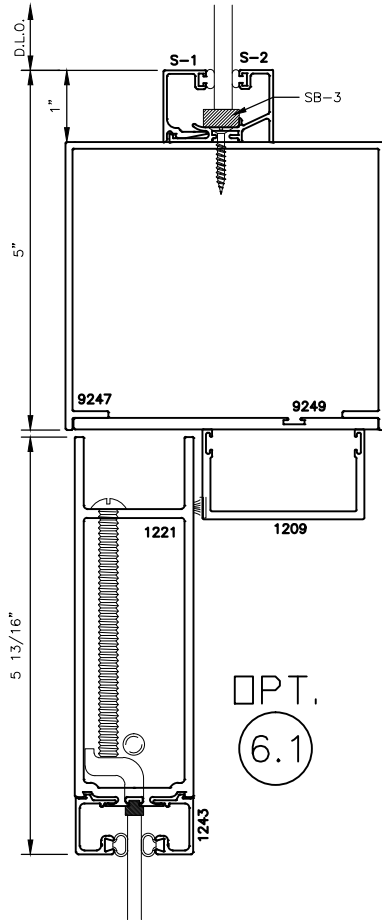
4



450

1 3/4" X 4 1/2" STOREFRONT DOOR FRAMING WITH 150 SERIES (WIDE STILE) DOOR DETAILS - OFFSET ARM & CONCEALED OVERHEAD CLOSER

* MINIMUM RECOMMENDED FOR THERMAL ISOLATION.
INCREASE AS REQUIRED TO COMPLY WITH SEALANT
MANUFACTURERS' INSTRUCTIONS

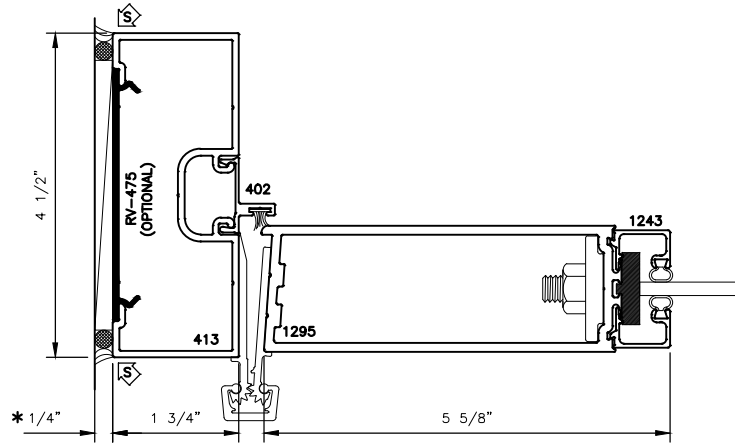




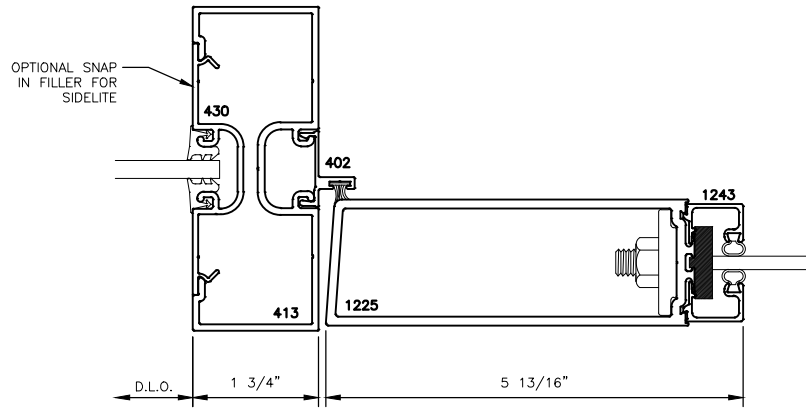
450

1 3/4" X 4 1/2" STOREFRONT DOOR FRAMING
 WITH 150 SERIES (WIDE STILE)
 DOOR DETAILS - OFFSET ARM &
 CONCEALED OVERHEAD CLOSER

* MINIMUM RECOMMENDED FOR THERMAL ISOLATION.
 INCREASE AS REQUIRED TO COMPLY WITH SEALANT
 MANUFACTURERS' INSTRUCTIONS



OPT.
 8.1



OPT.
 8.2