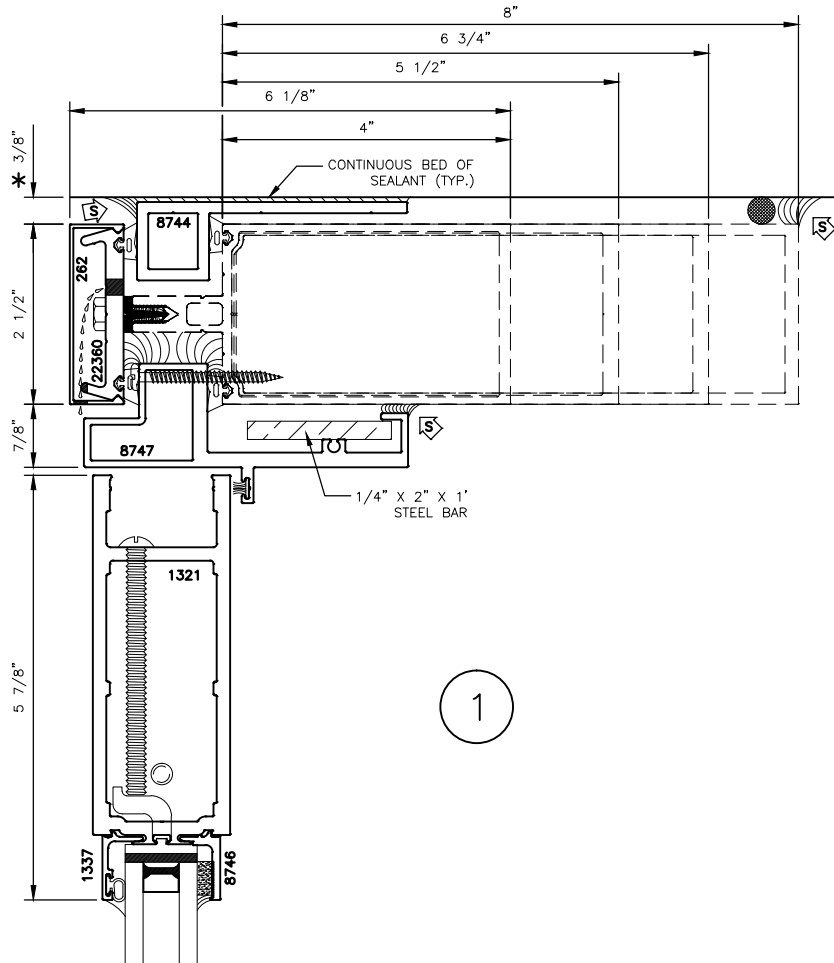
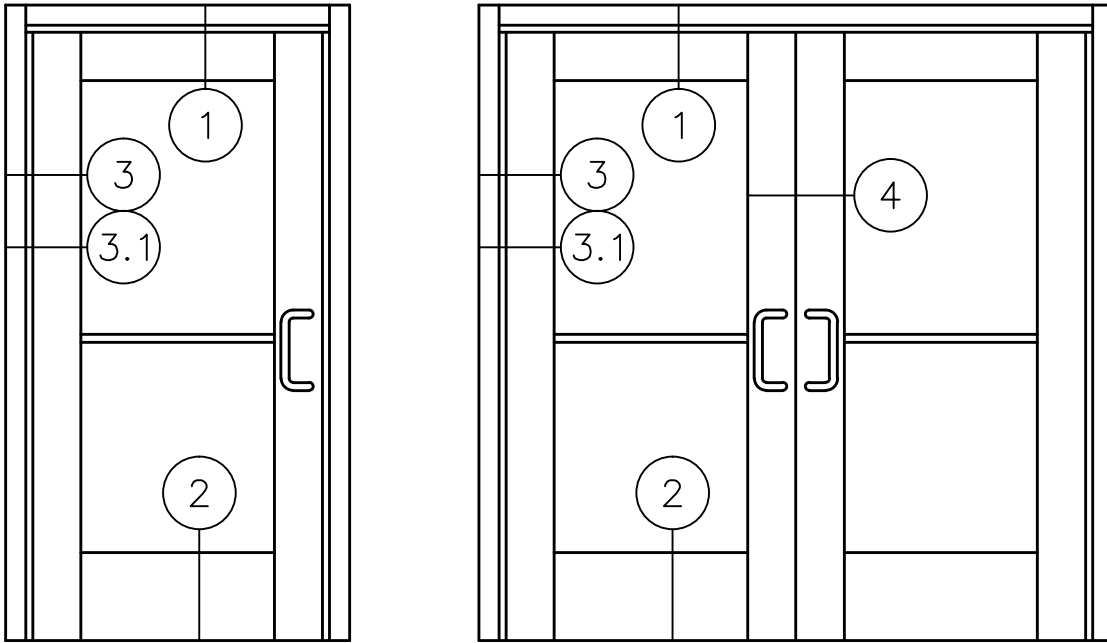




# BLAST STOREFRONT DOOR CURTAIN WALL INSERT FRAME WITH 150H SERIES (WIDE STILE) DOOR STANDARD DETAILS

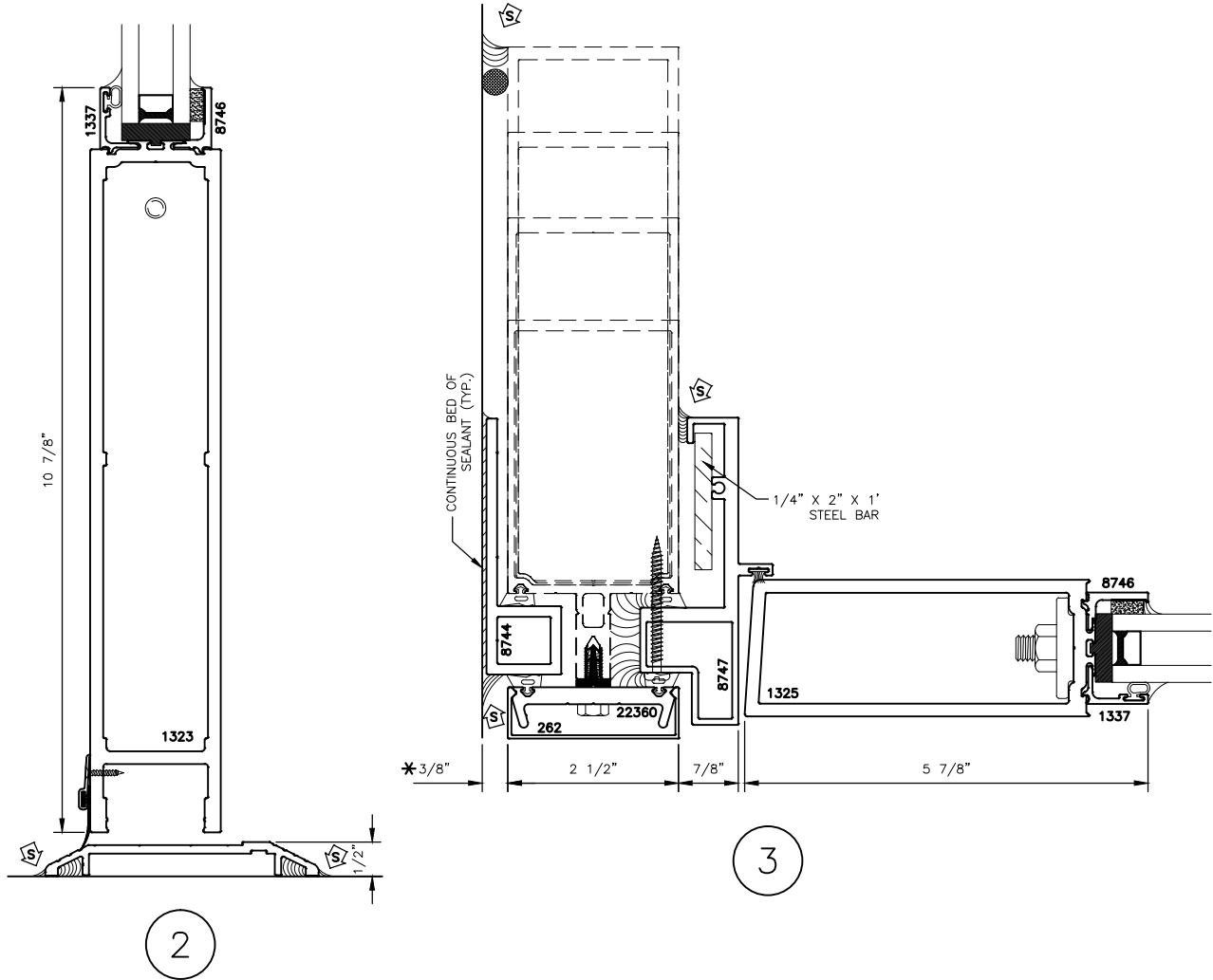
\* MINIMUM RECOMMENDED FOR THERMAL ISOLATION.  
INCREASE AS REQUIRED TO COMPLY WITH SEALANT  
MANUFACTURERS' INSTRUCTIONS





# BLAST STOREFRONT DOOR CURTAIN WALL INSERT FRAME WITH 150H SERIES (WIDE STILE) DOOR STANDARD DETAILS

\* MINIMUM RECOMMENDED FOR THERMAL ISOLATION.  
INCREASE AS REQUIRED TO COMPLY WITH SEALANT  
MANUFACTURERS' INSTRUCTIONS

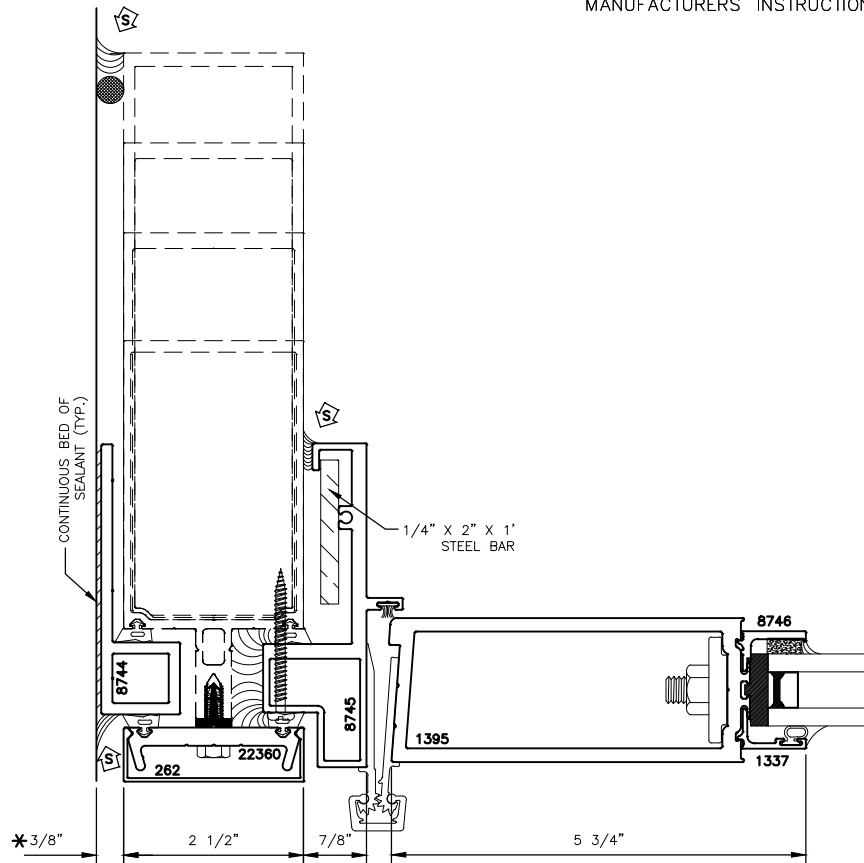


STANDARD SWEEP AND THRESHOLD SHOWN

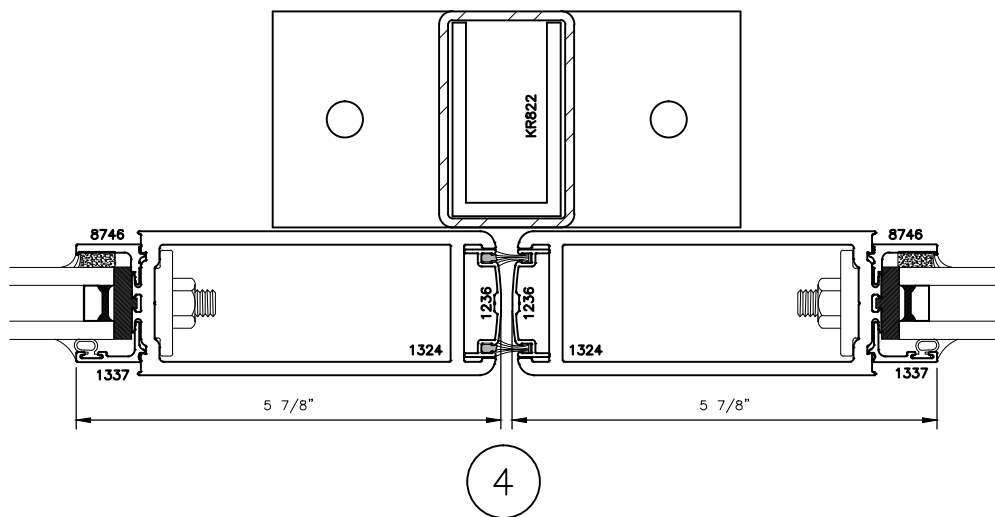


# BLAST STOREFRONT DOOR CURTAIN WALL INSERT FRAME WITH 150H SERIES (WIDE STILE) DOOR STANDARD DETAILS

\* MINIMUM RECOMMENDED FOR THERMAL ISOLATION.  
INCREASE AS REQUIRED TO COMPLY WITH SEALANT  
MANUFACTURERS' INSTRUCTIONS



OPT.  
3.2



4