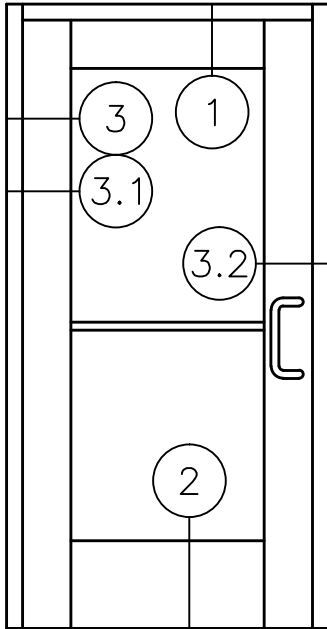


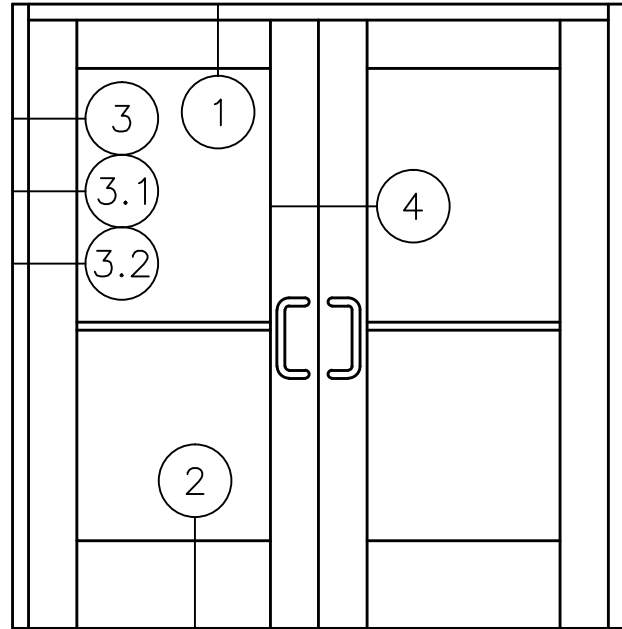


**2600XPT**

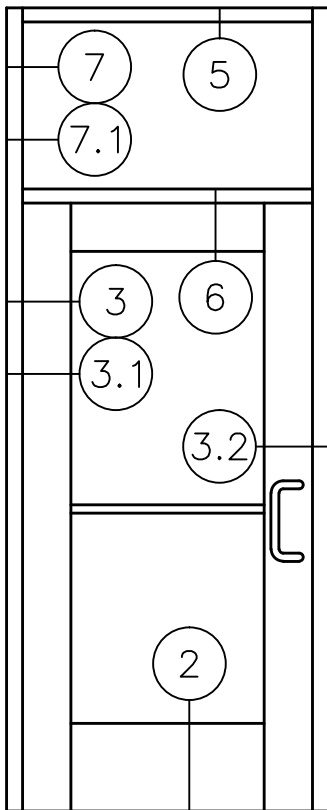
**2" X 6" DOUBLE THERMALLY BROKEN  
STOREFRONT DOOR FRAME  
WITH 150i SERIES (WIDE STILE)  
DOOR STANDARD DETAILS**



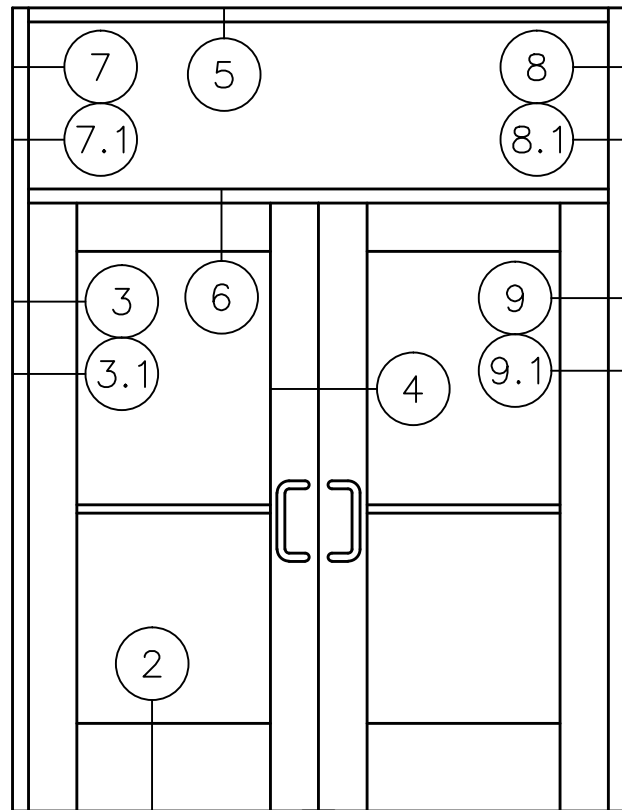
SINGLE DOOR  
WITHOUT TRANSOM  
STANDARD CONFIGURATION



PAIR DOORS  
WITHOUT TRANSOM  
STANDARD CONFIGURATION



SINGLE DOOR  
WITH TRANSOM  
STANDARD CONFIGURATION



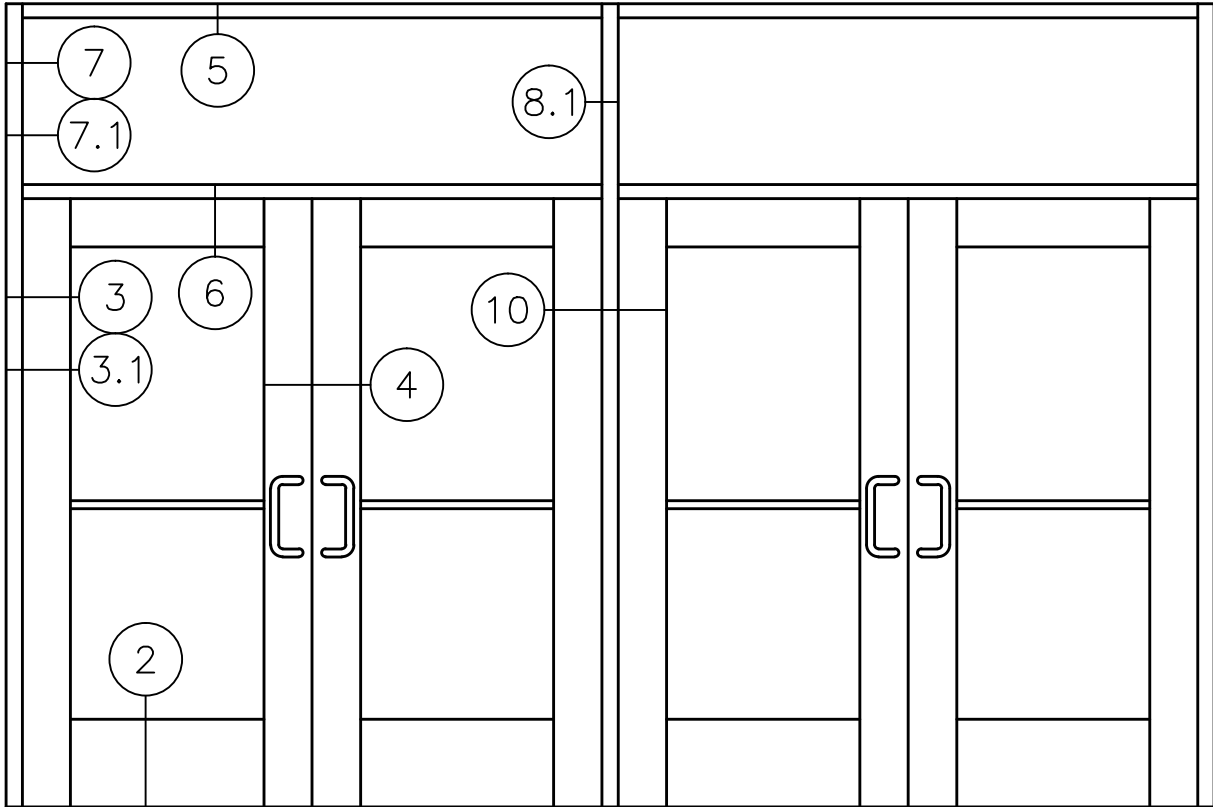
PAIR DOORS  
WITH TRANSOM  
STANDARD CONFIGURATION



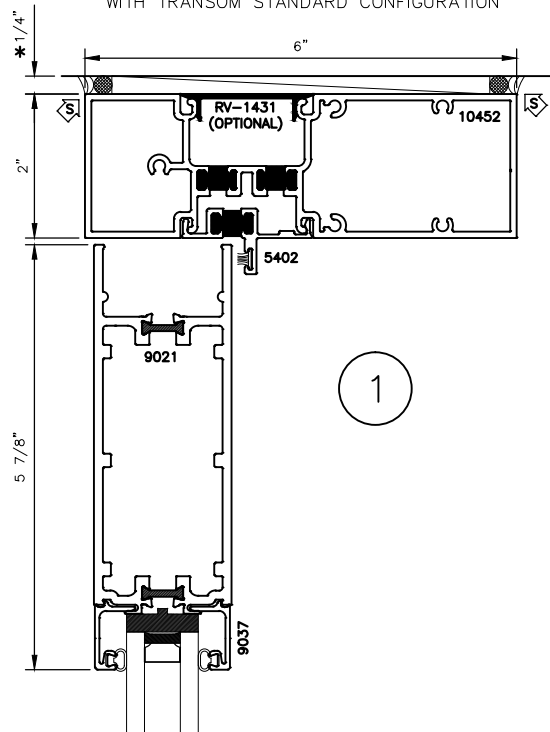
# 2600XPT

## 2" X 6" DOUBLE THERMALLY BROKEN STOREFRONT DOOR FRAME WITH 150i SERIES (WIDE STILE) DOOR STANDARD DETAILS

\* MINIMUM RECOMMENDED FOR THERMAL ISOLATION.  
INCREASE AS REQUIRED TO COMPLY WITH SEALANT  
MANUFACTURERS' INSTRUCTIONS



MULTIPLE PAIR DOORS MULLED TOGETHER  
WITH TRANSOM STANDARD CONFIGURATION

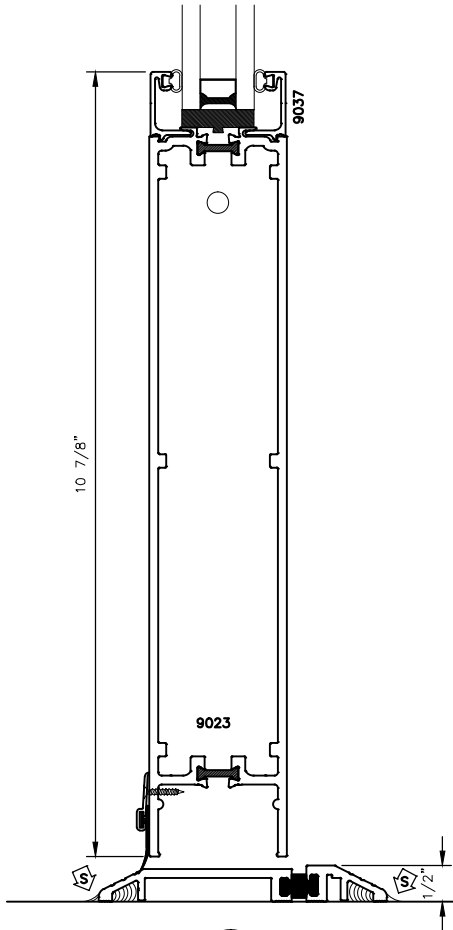




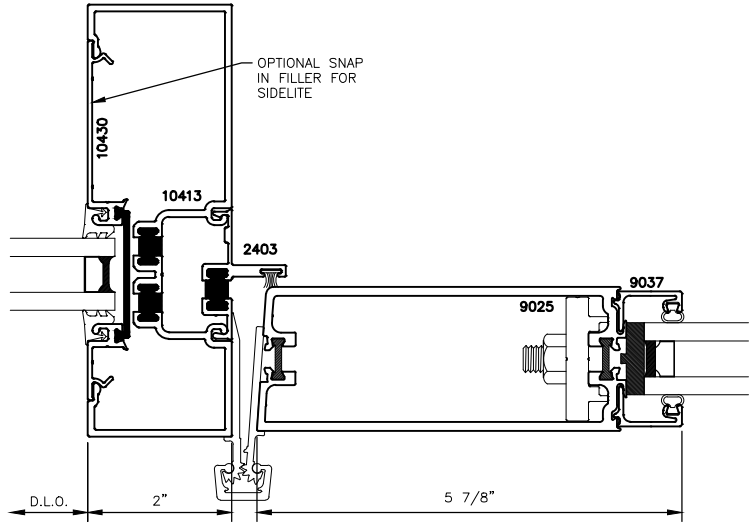
# 2600XPT

## 2" X 6" DOUBLE THERMALLY BROKEN STOREFRONT DOOR FRAME WITH 150i SERIES (WIDE STILE) DOOR STANDARD DETAILS

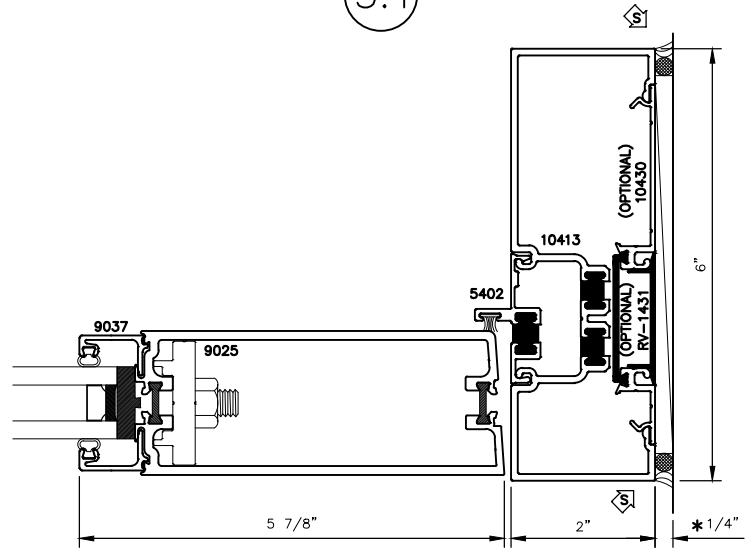
\* MINIMUM RECOMMENDED FOR THERMAL ISOLATION.  
INCREASE AS REQUIRED TO COMPLY WITH SEALANT  
MANUFACTURERS' INSTRUCTIONS



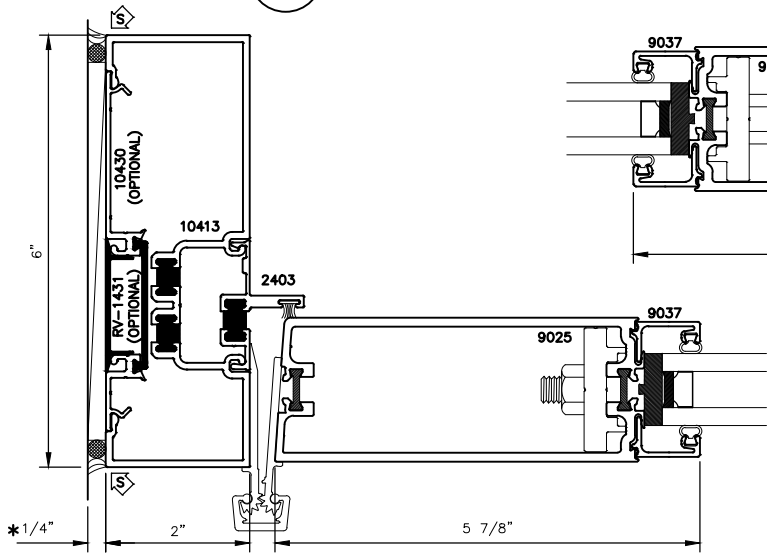
2



OPT.  
3.1



OPT.  
3.2



3

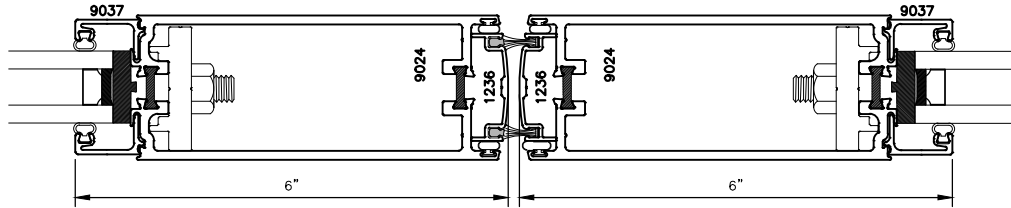
STANDARD SWEEP AND THRESHOLD SHOWN



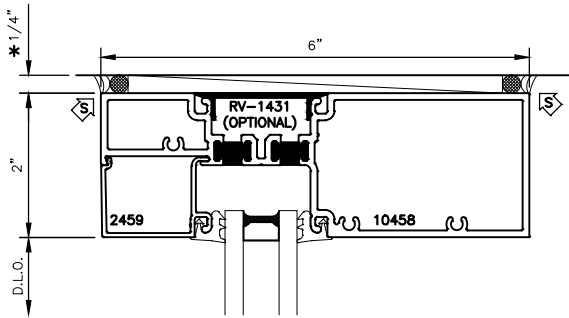
# 2600XPT

## 2" X 6" DOUBLE THERMALLY BROKEN STOREFRONT DOOR FRAME WITH 150i SERIES (WIDE STILE) DOOR STANDARD DETAILS

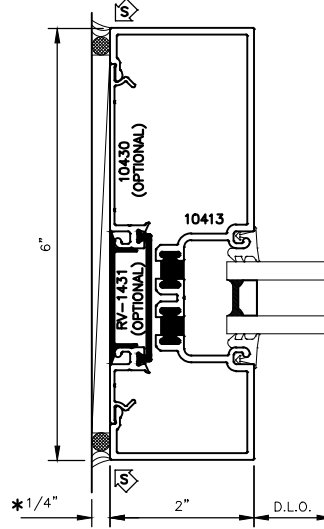
\* MINIMUM RECOMMENDED FOR THERMAL ISOLATION.  
INCREASE AS REQUIRED TO COMPLY WITH SEALANT  
MANUFACTURERS' INSTRUCTIONS



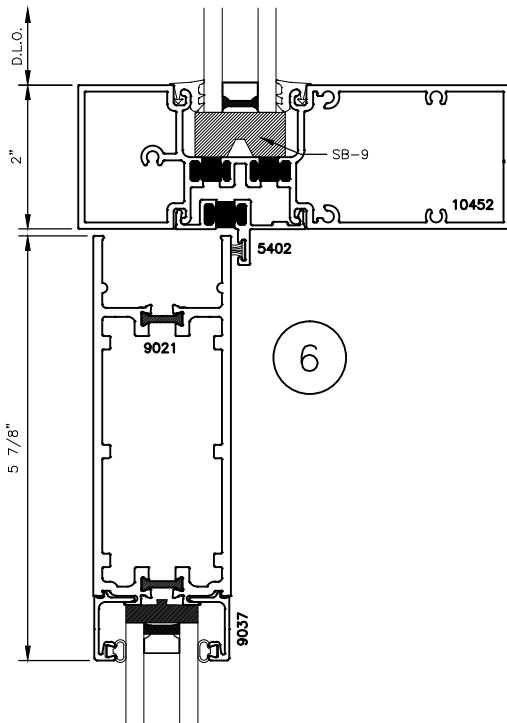
4



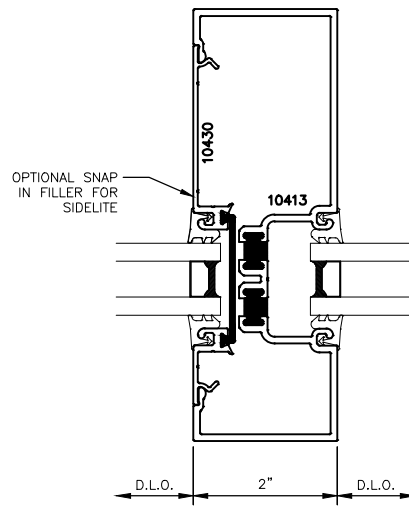
5



7



6



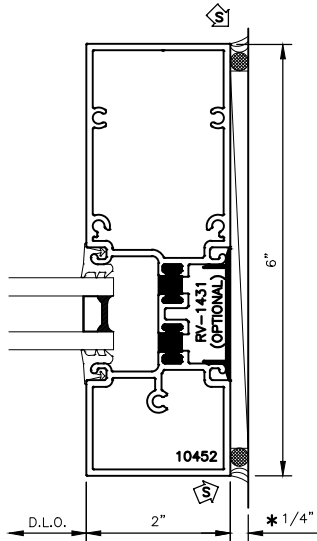
OPT.  
7.1



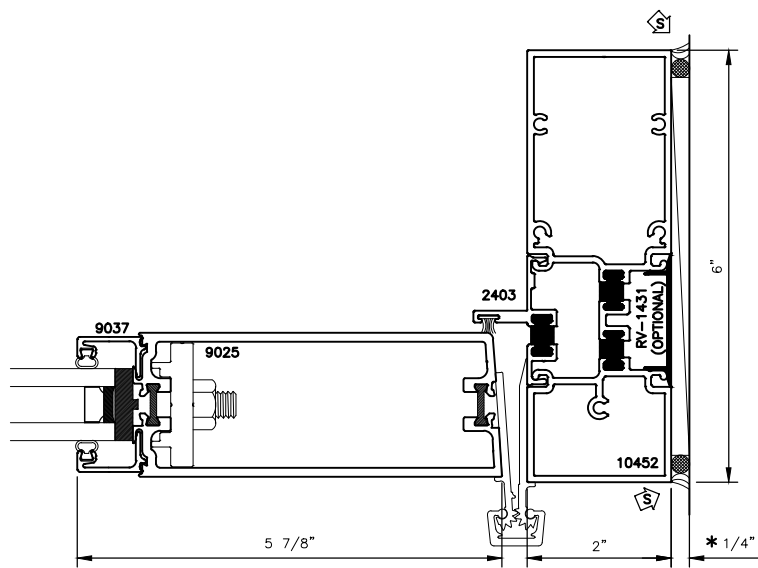
# 2600XPT

## 2" X 6" DOUBLE THERMALLY BROKEN STOREFRONT DOOR FRAME WITH 150i SERIES (WIDE STILE) DOOR STANDARD DETAILS

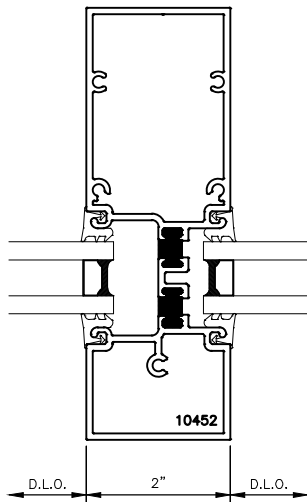
\* MINIMUM RECOMMENDED FOR THERMAL ISOLATION.  
INCREASE AS REQUIRED TO COMPLY WITH SEALANT  
MANUFACTURERS' INSTRUCTIONS



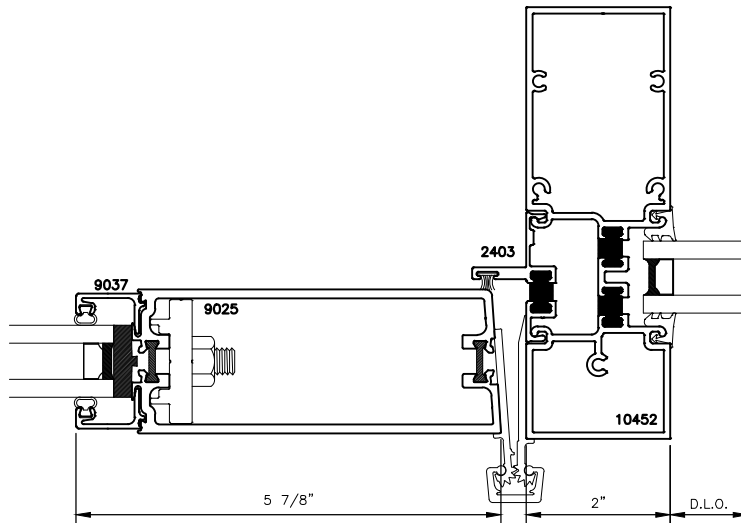
8



9



OPT.  
8.1



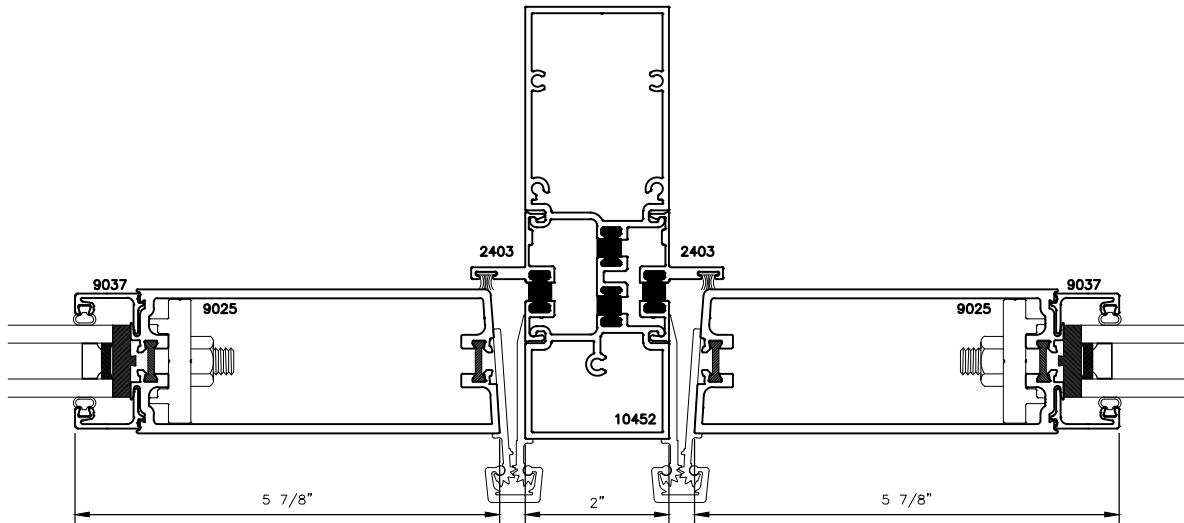
OPT.  
9.1



2600XPT

2" X 6" DOUBLE THERMALLY BROKEN  
STOREFRONT DOOR FRAME  
WITH 150i SERIES (WIDE STILE)  
DOOR STANDARD DETAILS

\* MINIMUM RECOMMENDED FOR THERMAL ISOLATION.  
INCREASE AS REQUIRED TO COMPLY WITH SEALANT  
MANUFACTURERS' INSTRUCTIONS



10