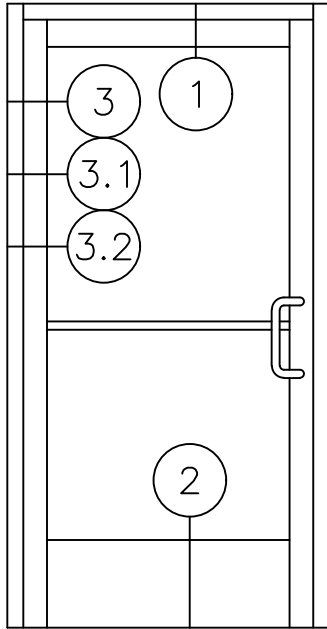


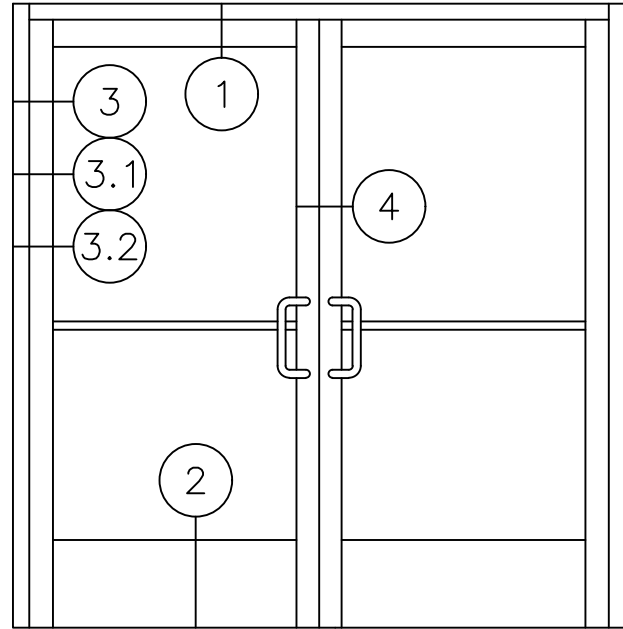


1450

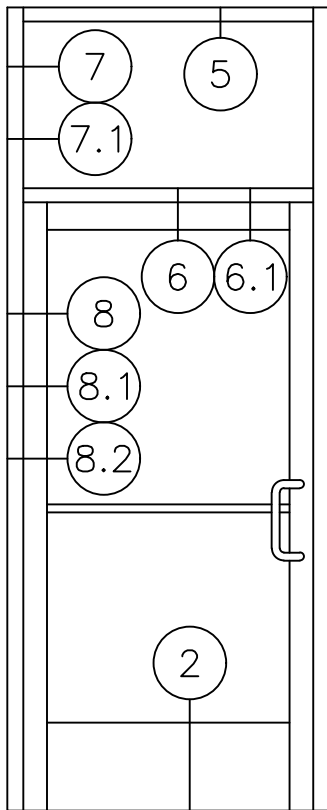
2" X 4 1/2" NON-THERMAL
STOREFRONT DOOR FRAME
WITH 100 SERIES (NARROW STILE)
DOOR STANDARD DETAILS



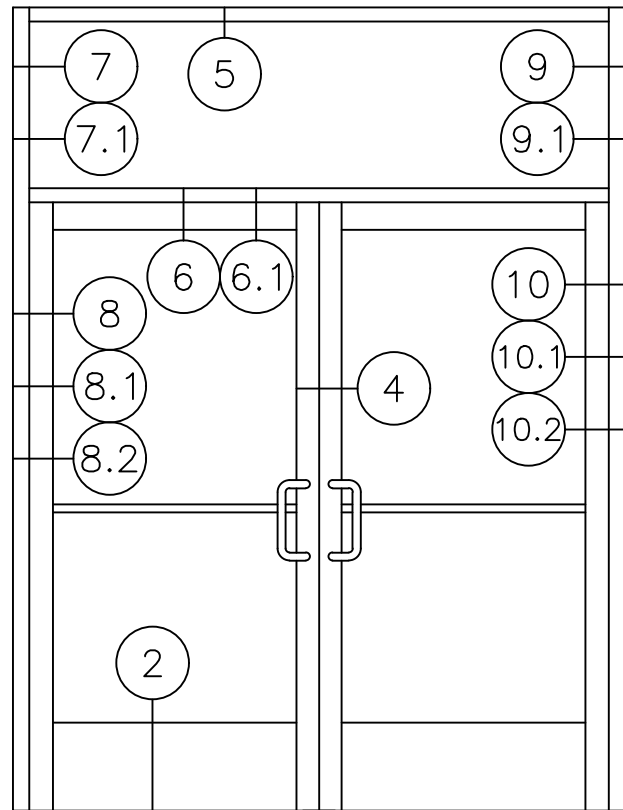
SINGLE DOOR
WITHOUT TRANSOM
STANDARD CONFIGURATION



PAIR DOORS
WITHOUT TRANSOM
STANDARD CONFIGURATION



SINGLE DOOR
WITH TRANSOM
STANDARD CONFIGURATION



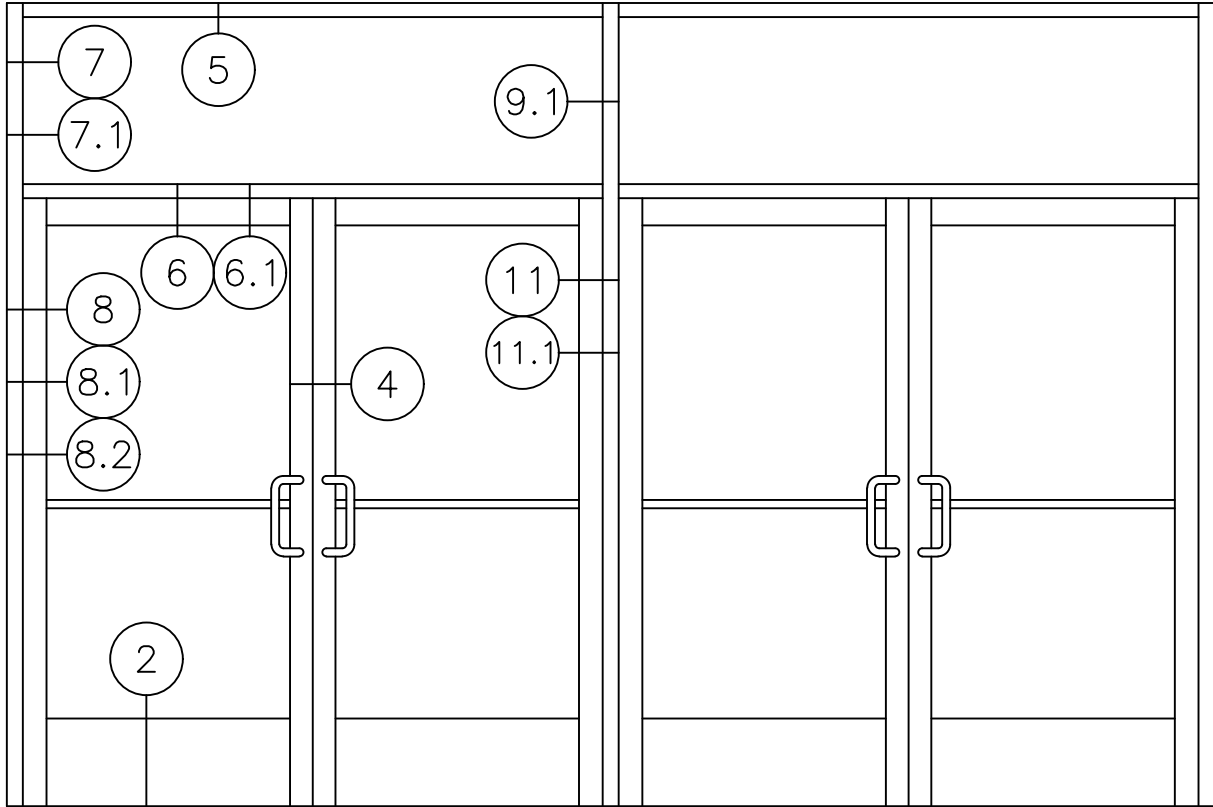
PAIR DOORS
WITH TRANSOM
STANDARD CONFIGURATION



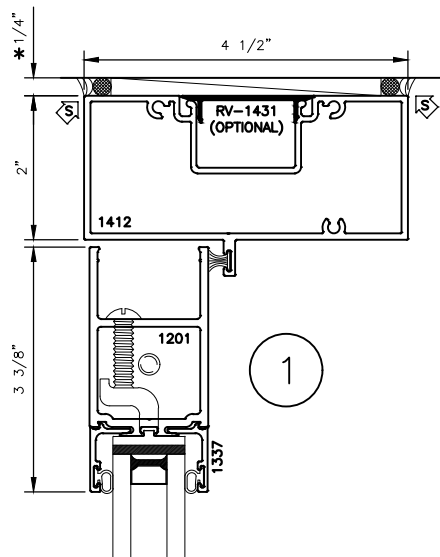
1450

2" X 4 1/2" NON-THERMAL
STOREFRONT DOOR FRAME
WITH 100 SERIES (NARROW STILE)
DOOR STANDARD DETAILS

* MINIMUM RECOMMENDED FOR THERMAL ISOLATION.
INCREASE AS REQUIRED TO COMPLY WITH SEALANT
MANUFACTURERS' INSTRUCTIONS



MULTIPLE PAIR DOORS MULLED TOGETHER
WITH TRANSOM STANDARD CONFIGURATION

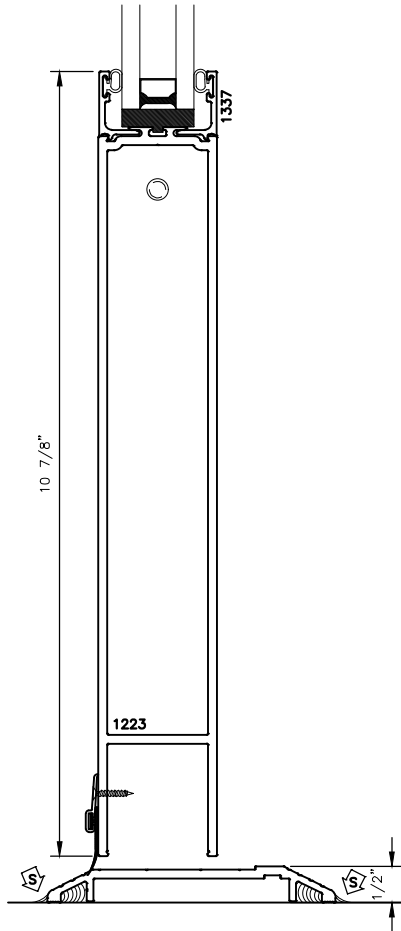




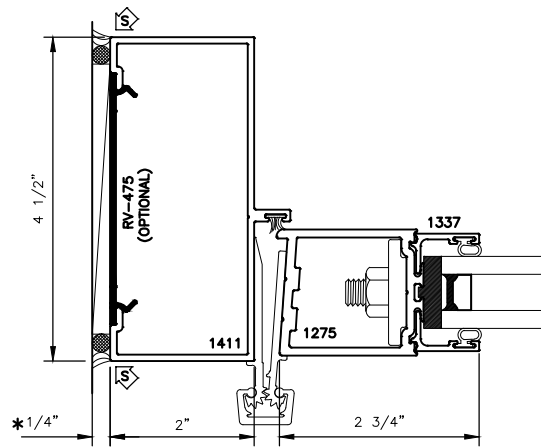
1450

2" X 4 1/2" NON-THERMAL
STOREFRONT DOOR FRAME
WITH 100 SERIES (NARROW STILE)
DOOR STANDARD DETAILS

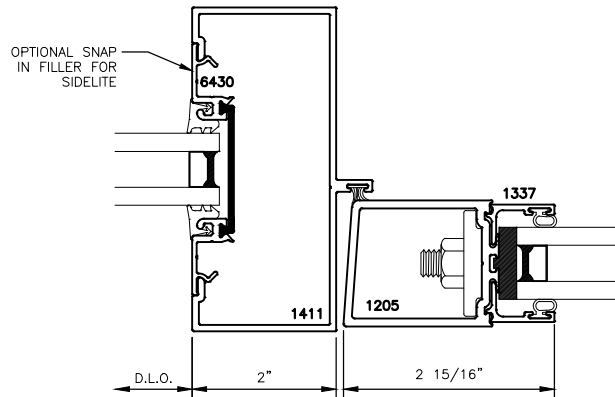
* MINIMUM RECOMMENDED FOR THERMAL ISOLATION.
INCREASE AS REQUIRED TO COMPLY WITH SEALANT
MANUFACTURERS' INSTRUCTIONS



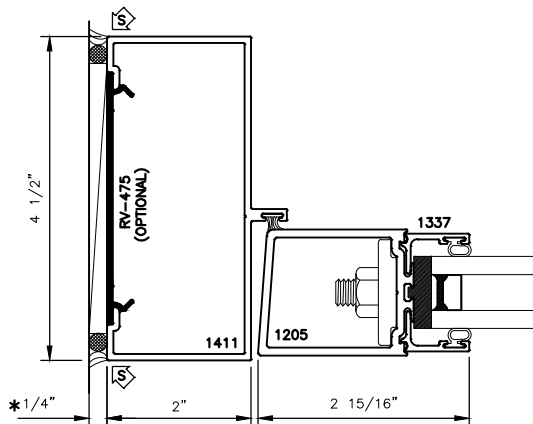
2



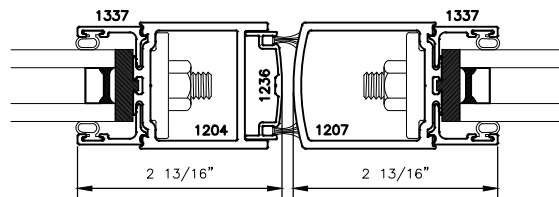
OPT.
3.1



OPT.
3.2



3



4

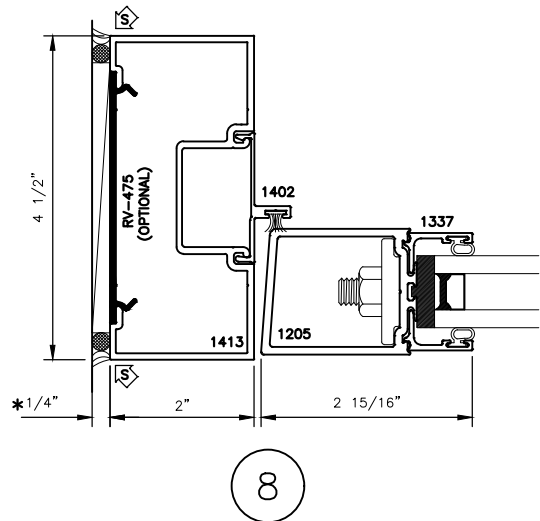
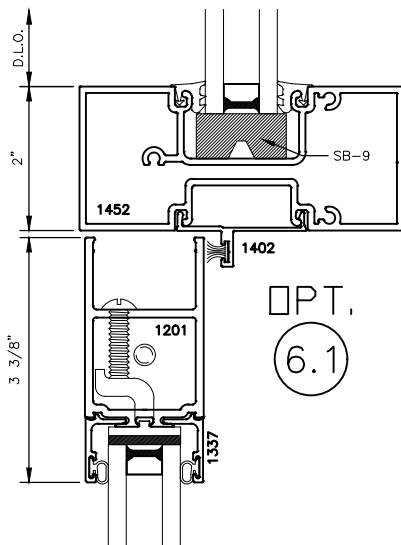
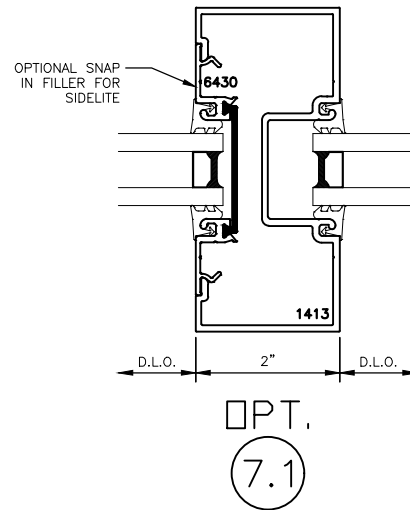
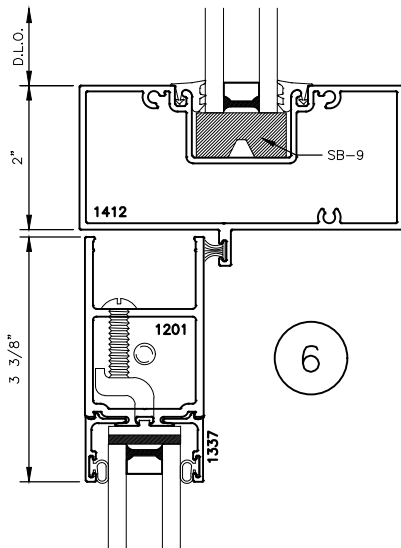
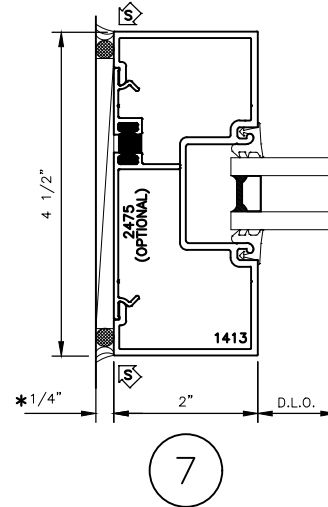
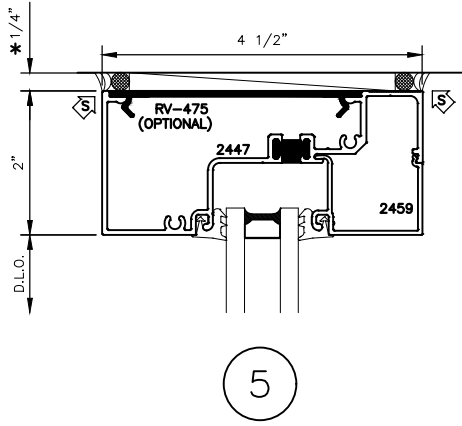
STANDARD SWEEP AND THRESHOLD SHOWN



1450

2" X 4 1/2" NON-THERMAL
STOREFRONT DOOR FRAME
WITH 100 SERIES (NARROW STILE)
DOOR STANDARD DETAILS

* MINIMUM RECOMMENDED FOR THERMAL ISOLATION.
INCREASE AS REQUIRED TO COMPLY WITH SEALANT
MANUFACTURERS' INSTRUCTIONS

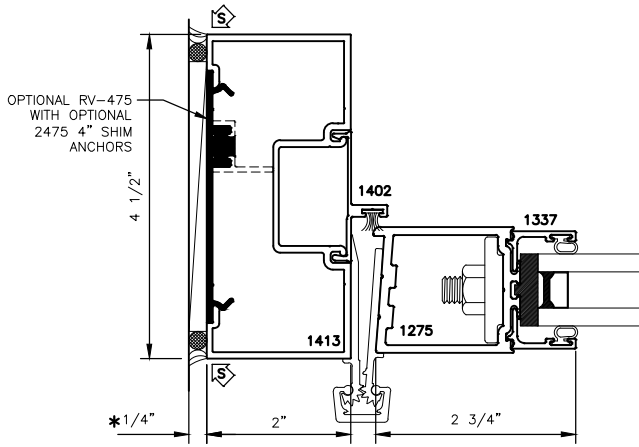




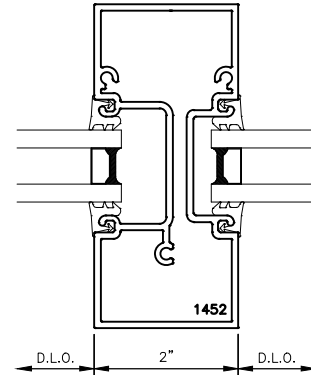
1450

2" X 4 1/2" NON-THERMAL
STOREFRONT DOOR FRAME
WITH 100 SERIES (NARROW STILE)
DOOR STANDARD DETAILS

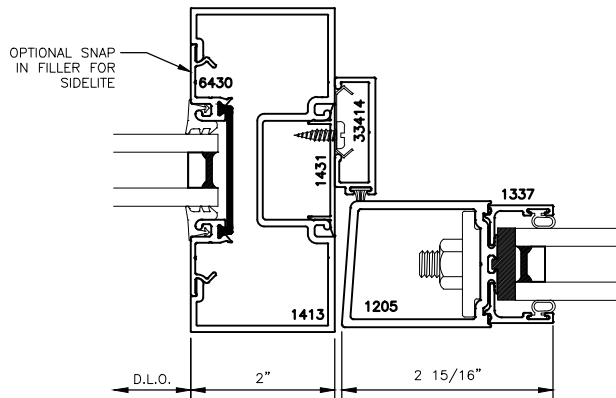
* MINIMUM RECOMMENDED FOR THERMAL ISOLATION.
INCREASE AS REQUIRED TO COMPLY WITH SEALANT
MANUFACTURERS' INSTRUCTIONS



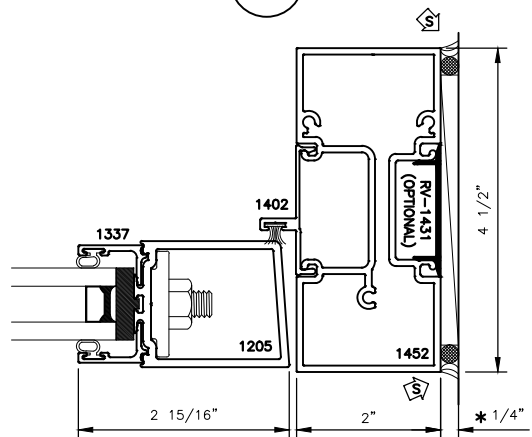
OPT.
8.1



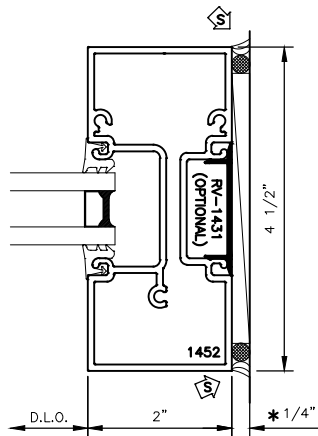
OPT.
9.1



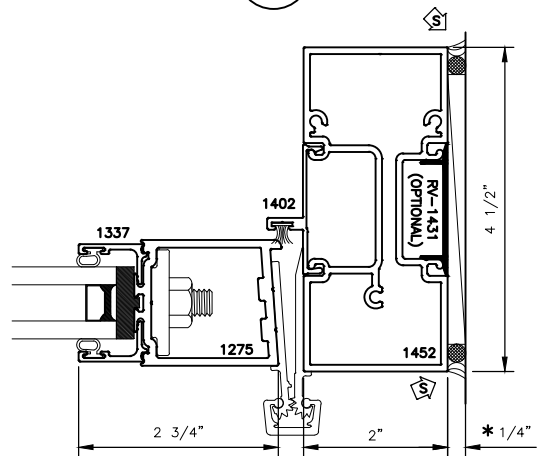
OPT.
8.2



10



9



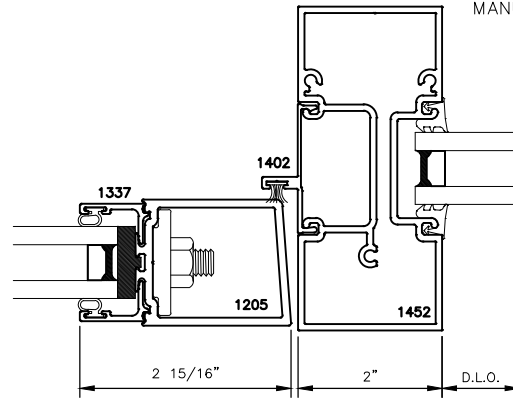
OPT.
10.1



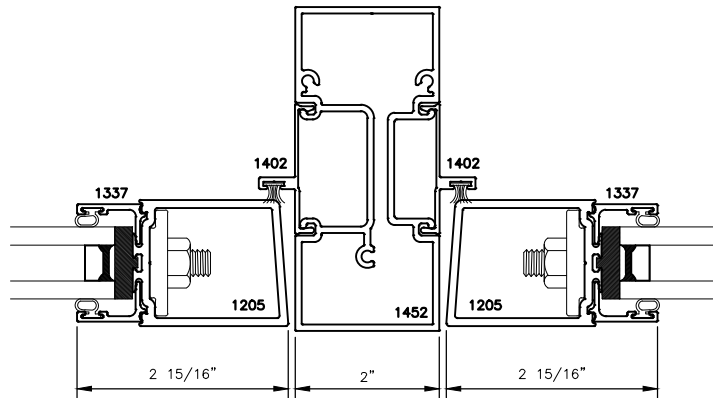
1450

2" X 4 1/2" NON-THERMAL STOREFRONT DOOR FRAME WITH 100 SERIES (NARROW STILE) DOOR STANDARD DETAILS

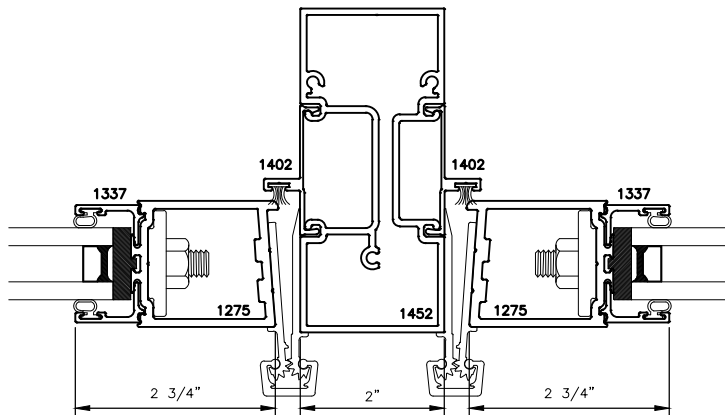
* MINIMUM RECOMMENDED FOR THERMAL ISOLATION.
INCREASE AS REQUIRED TO COMPLY WITH SEALANT
MANUFACTURERS' INSTRUCTIONS



OPT.
10.2



11



OPT.
11.1