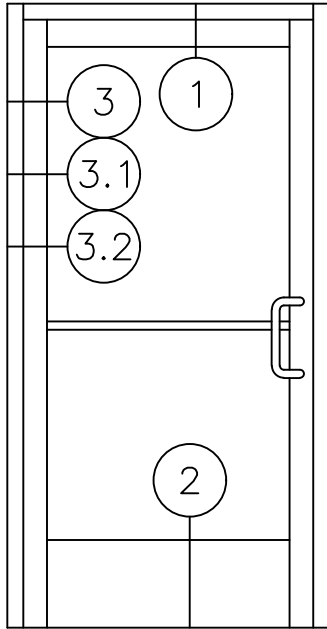
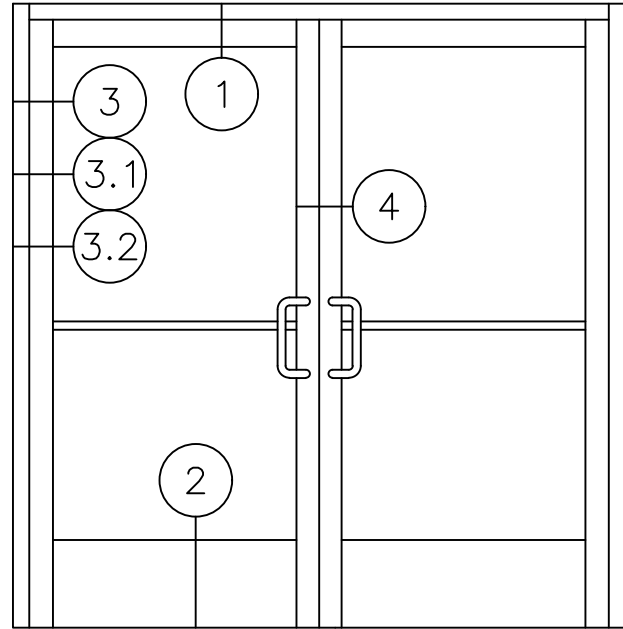




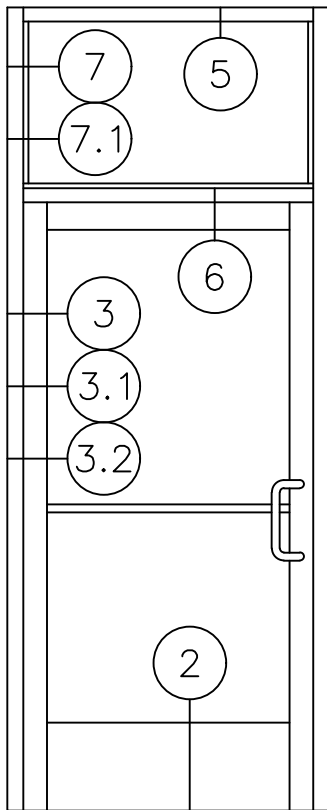
**2" X 6" THERMALLY BROKEN
STOREFRONT DOOR FRAME
WITH 100 SERIES (NARROW STILE)
DOOR STANDARD DETAILS**



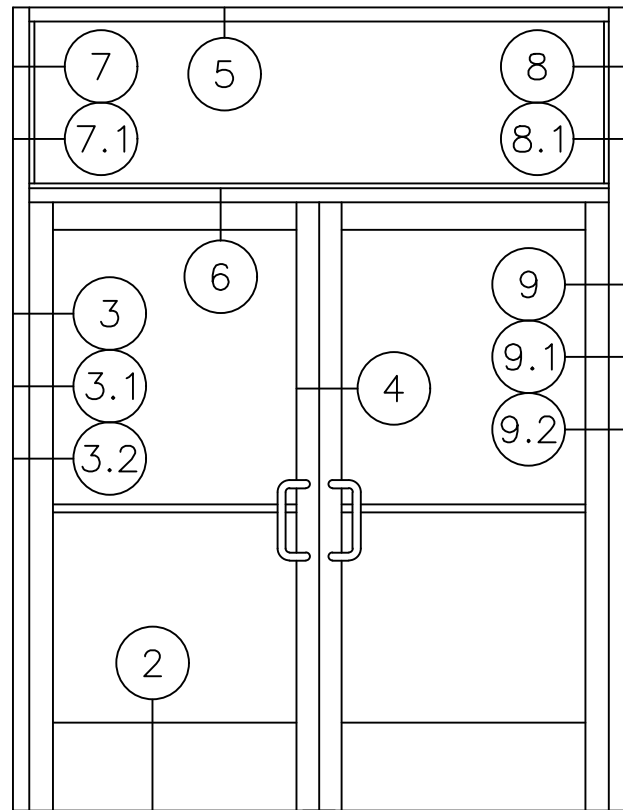
SINGLE DOOR
WITHOUT TRANSOM
STANDARD CONFIGURATION



PAIR DOORS
WITHOUT TRANSOM
STANDARD CONFIGURATION



SINGLE DOOR
WITH TRANSOM
STANDARD CONFIGURATION

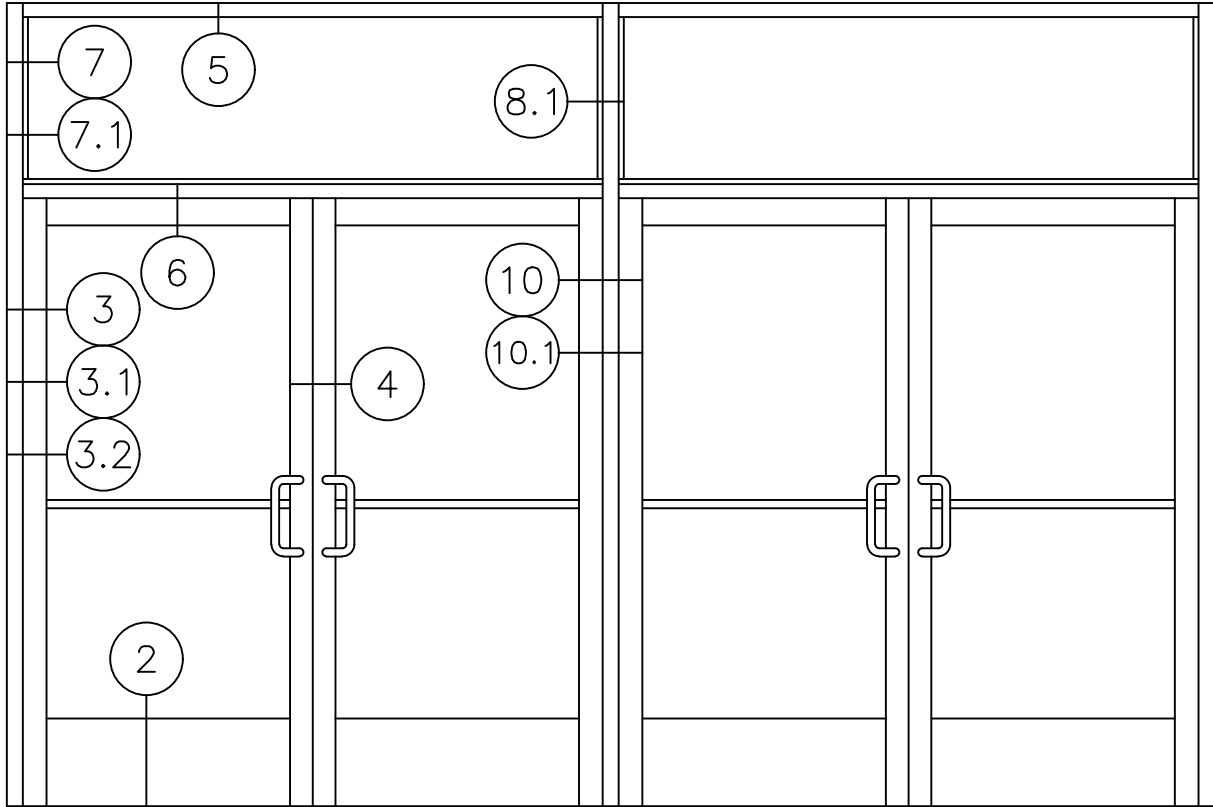


PAIR DOORS
WITH TRANSOM
STANDARD CONFIGURATION

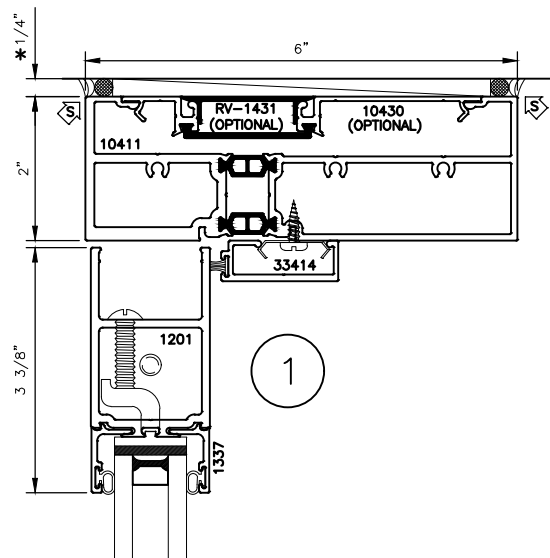


2" X 6" THERMALLY BROKEN STOREFRONT DOOR FRAME WITH 100 SERIES (NARROW STILE) DOOR STANDARD DETAILS

* MINIMUM RECOMMENDED FOR THERMAL ISOLATION.
INCREASE AS REQUIRED TO COMPLY WITH SEALANT
MANUFACTURERS' INSTRUCTIONS



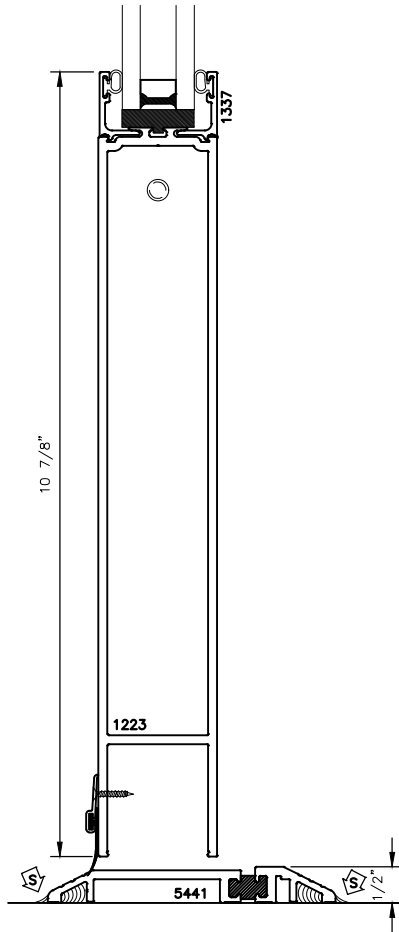
MULTIPLE PAIR DOORS MULLED TOGETHER
WITH TRANSOM STANDARD CONFIGURATION



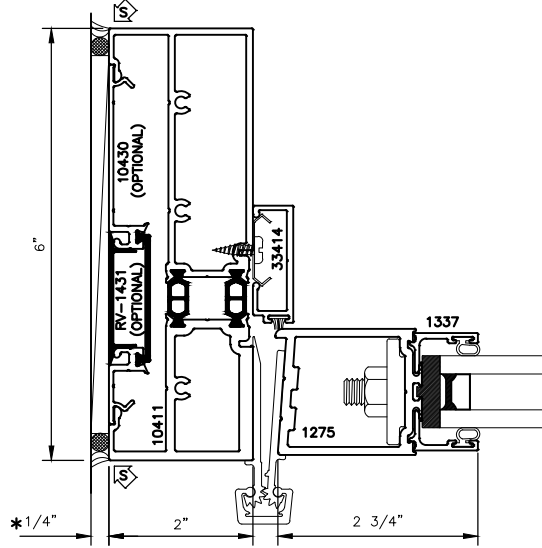


2" X 6" THERMALLY BROKEN STOREFRONT DOOR FRAME WITH 100 SERIES (NARROW STILE) DOOR STANDARD DETAILS

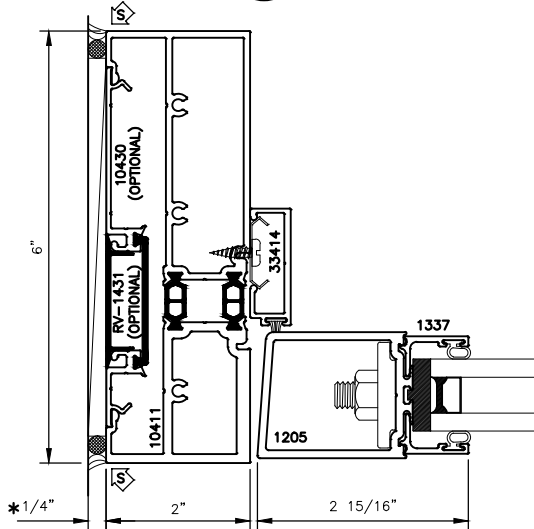
* MINIMUM RECOMMENDED FOR THERMAL ISOLATION.
INCREASE AS REQUIRED TO COMPLY WITH SEALANT
MANUFACTURERS' INSTRUCTIONS



2

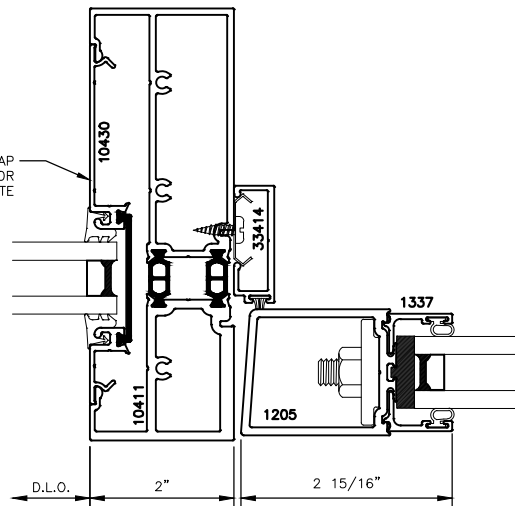


OPT.
3.1



3

OPTIONAL SNAP
IN FILLER FOR
SIDELITE



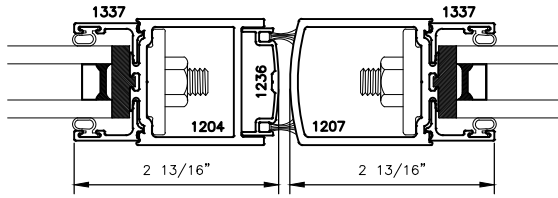
OPT.
3.2

STANDARD SWEEP SHOWN

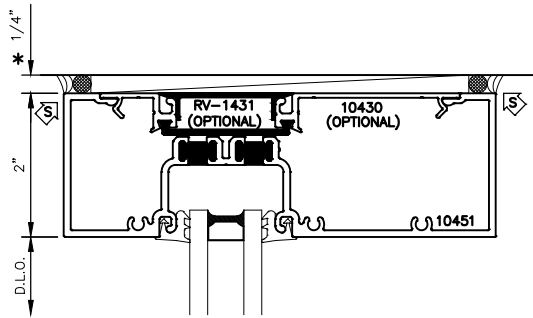


2" X 6" THERMALLY BROKEN STOREFRONT DOOR FRAME WITH 100 SERIES (NARROW STILE) DOOR STANDARD DETAILS

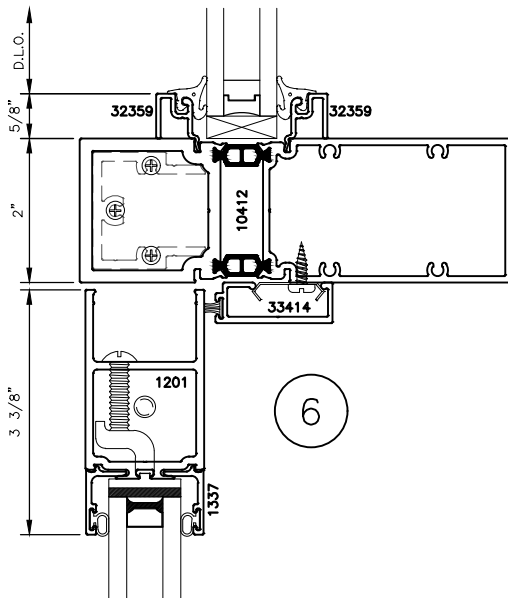
* MINIMUM RECOMMENDED FOR THERMAL ISOLATION.
INCREASE AS REQUIRED TO COMPLY WITH SEALANT
MANUFACTURERS' INSTRUCTIONS



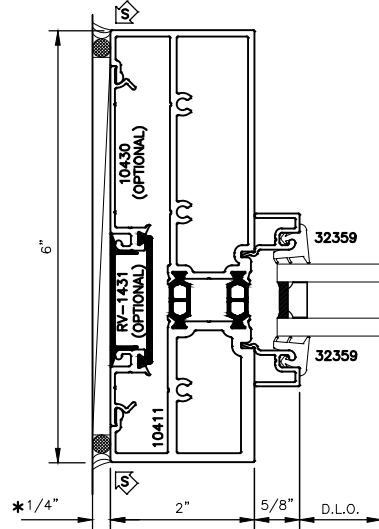
4



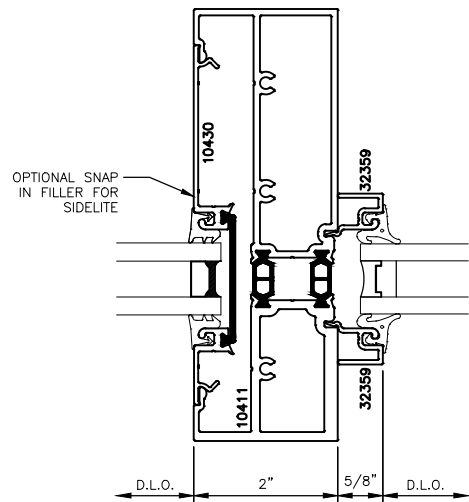
5



6



7

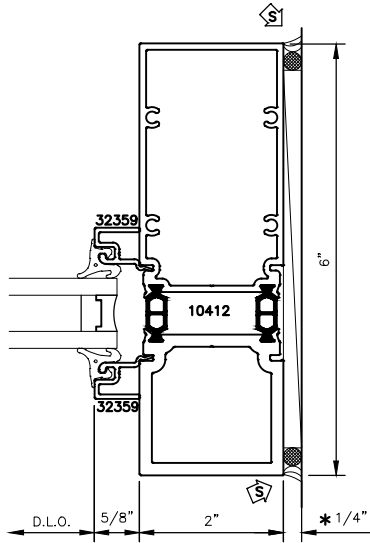


OPT.
7.1

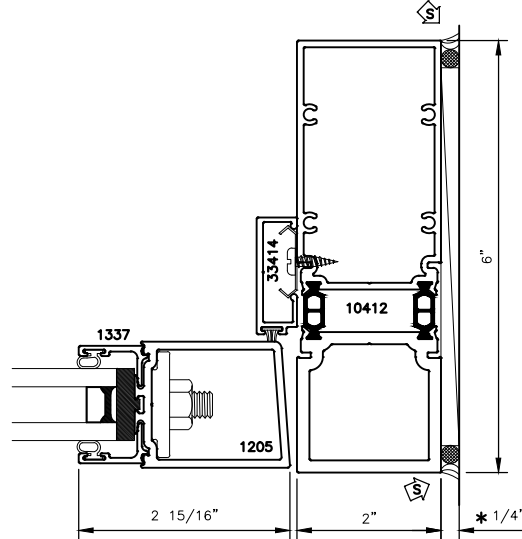


2" X 6" THERMALLY BROKEN STOREFRONT DOOR FRAME WITH 100 SERIES (NARROW STILE) DOOR STANDARD DETAILS

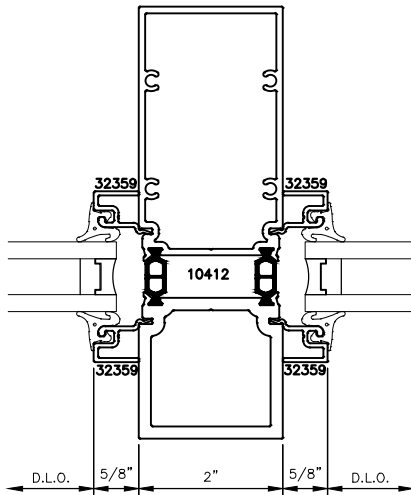
* MINIMUM RECOMMENDED FOR THERMAL ISOLATION.
INCREASE AS REQUIRED TO COMPLY WITH SEALANT
MANUFACTURERS' INSTRUCTIONS



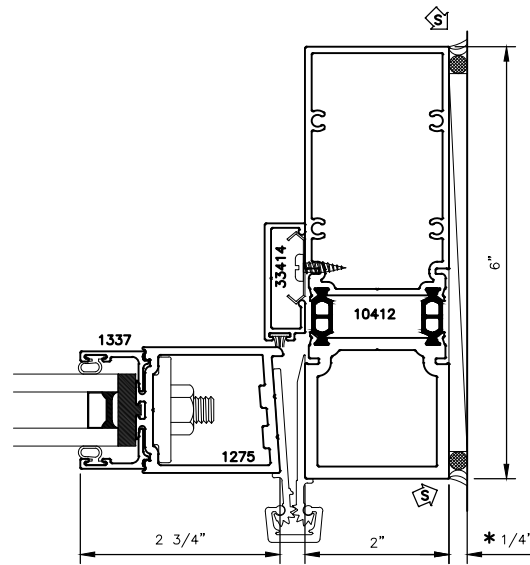
8



9



OPT.
8.1



OPT.
9.1



2" X 6" THERMALLY BROKEN STOREFRONT DOOR FRAME WITH 100 SERIES (NARROW STILE) DOOR STANDARD DETAILS

* MINIMUM RECOMMENDED FOR THERMAL ISOLATION.
INCREASE AS REQUIRED TO COMPLY WITH SEALANT
MANUFACTURERS' INSTRUCTIONS

