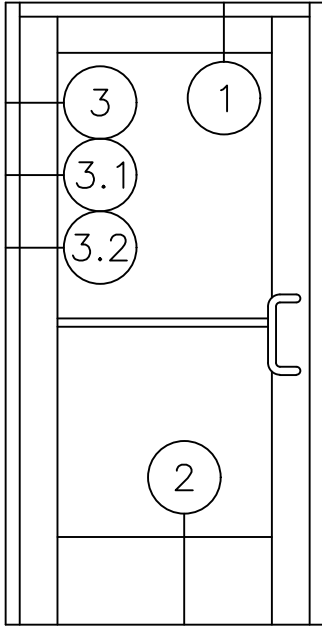


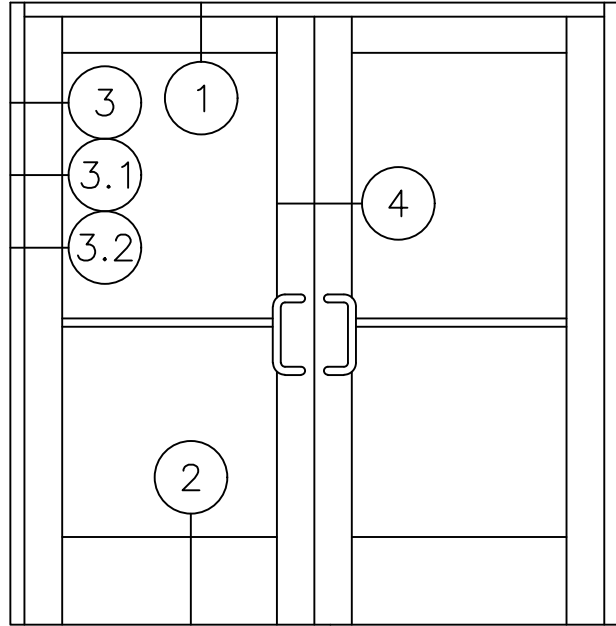


450

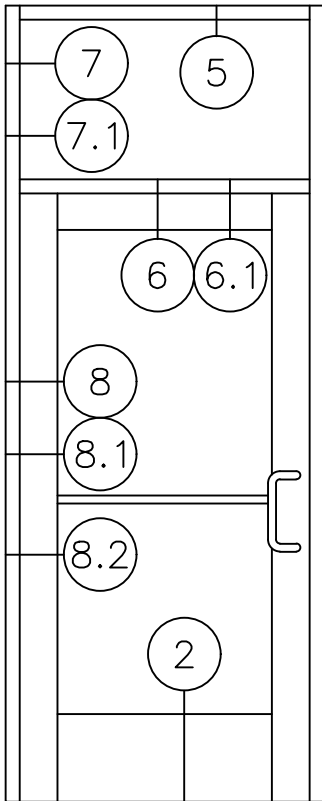
1 3/4" X 4 1/2" NON-THERMAL  
STOREFRONT DOOR FRAME  
WITH 135 SERIES (MEDIUM STILE)  
DOOR STANDARD DETAILS



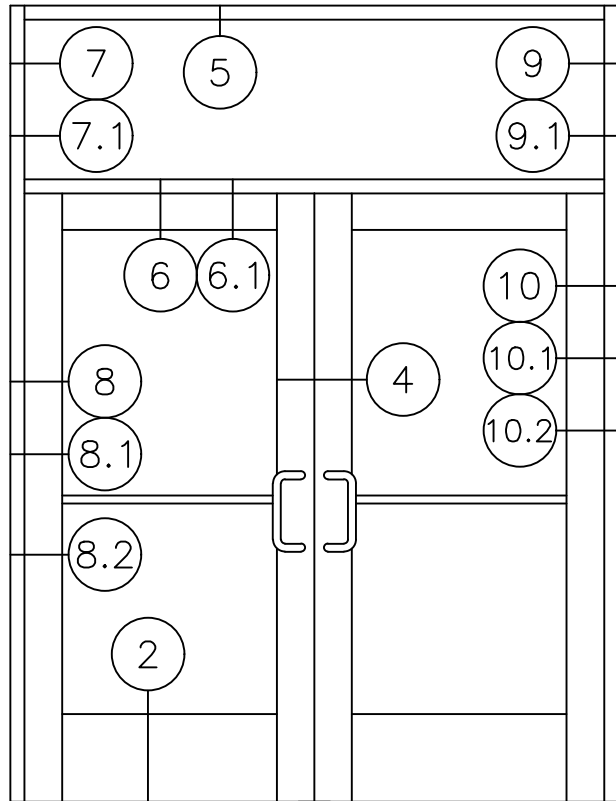
SINGLE DOOR  
WITHOUT TRANSOM  
STANDARD CONFIGURATION



PAIR DOORS  
WITHOUT TRANSOM  
STANDARD CONFIGURATION



SINGLE DOOR  
WITH TRANSOM  
STANDARD CONFIGURATION



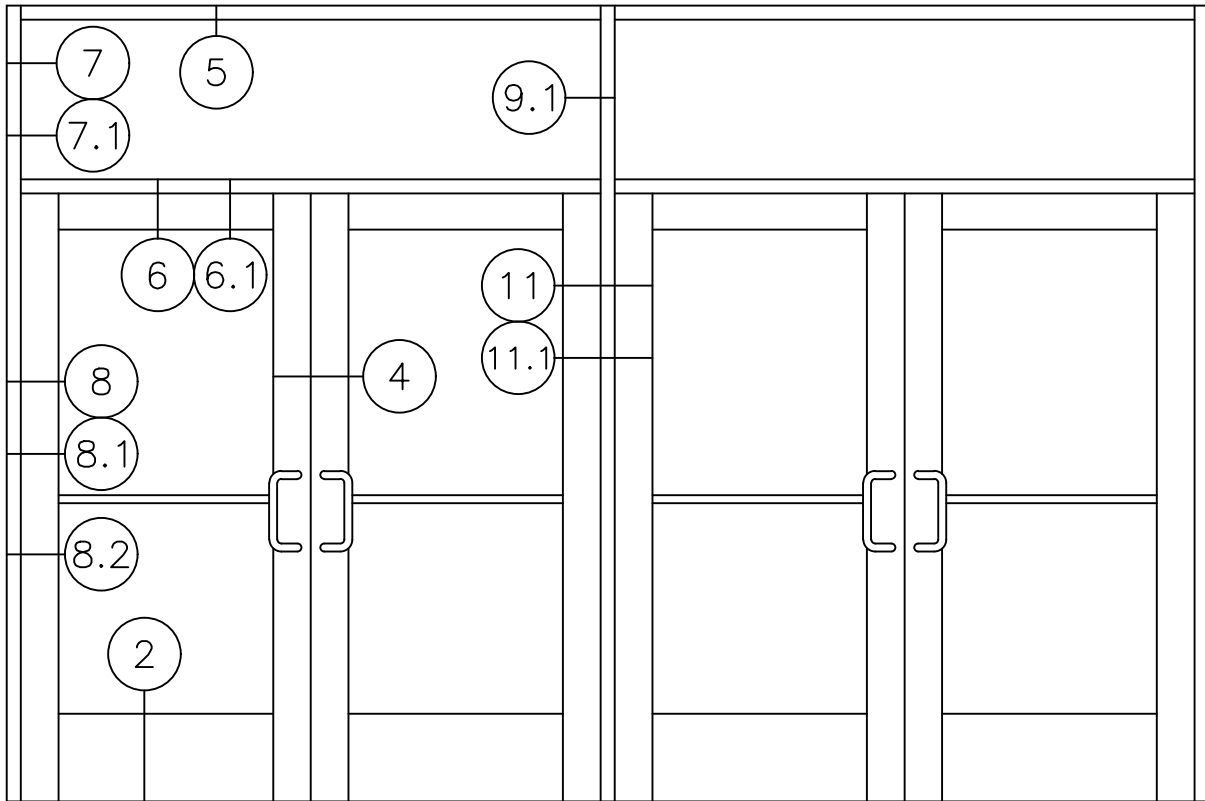
PAIR DOORS  
WITH TRANSOM  
STANDARD CONFIGURATION



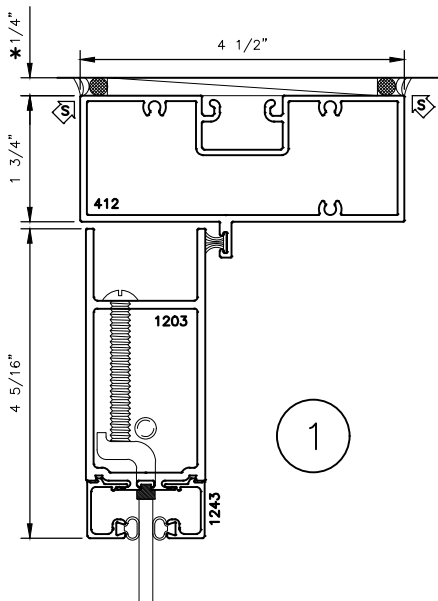
450

# 1 3/4" X 4 1/2" NON-THERMAL STOREFRONT DOOR FRAME WITH 135 SERIES (MEDIUM STILE) DOOR STANDARD DETAILS

\* MINIMUM RECOMMENDED FOR THERMAL ISOLATION. INCREASE AS REQUIRED TO COMPLY WITH SEALANT MANUFACTURERS' INSTRUCTIONS



MULTIPLE PAIR DOORS MULLED TOGETHER WITH TRANSOM STANDARD CONFIGURATION

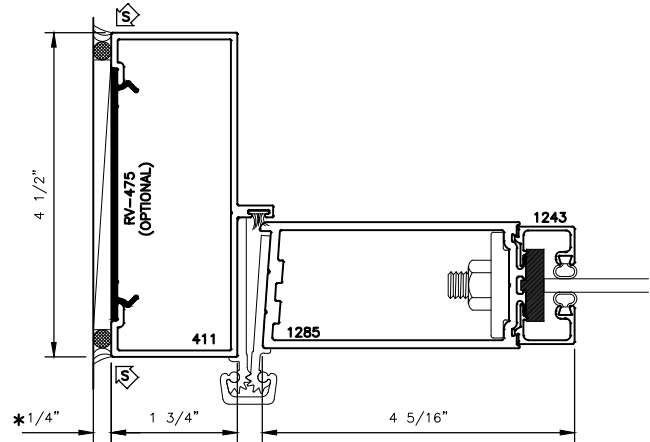
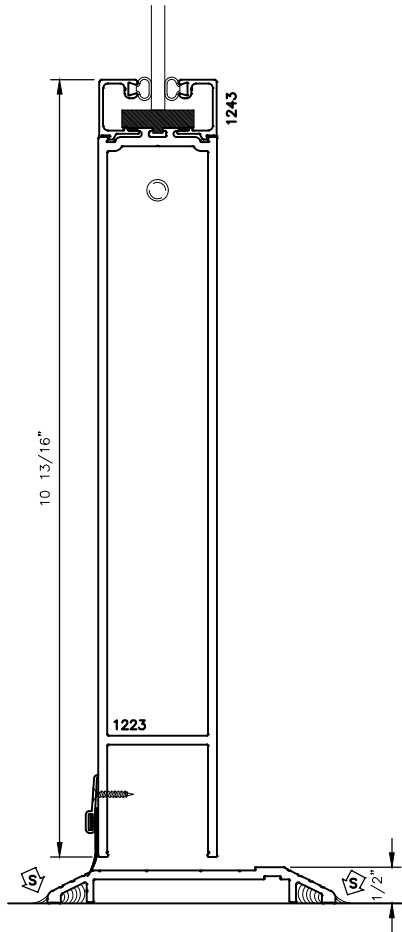




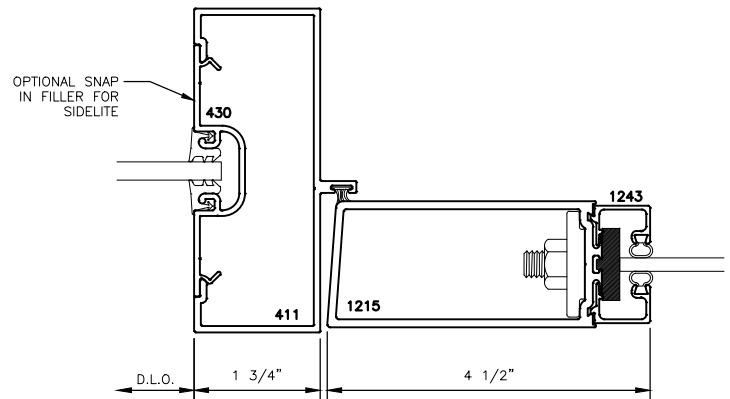
450

1 3/4" X 4 1/2" NON-THERMAL  
STOREFRONT DOOR FRAME  
WITH 135 SERIES (MEDIUM STILE)  
DOOR STANDARD DETAILS

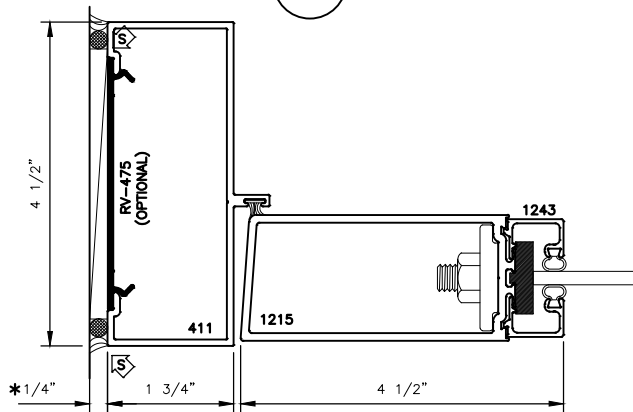
\* MINIMUM RECOMMENDED FOR THERMAL ISOLATION.  
INCREASE AS REQUIRED TO COMPLY WITH SEALANT  
MANUFACTURERS' INSTRUCTIONS



OPT.  
3.1



OPT.  
3.2



3

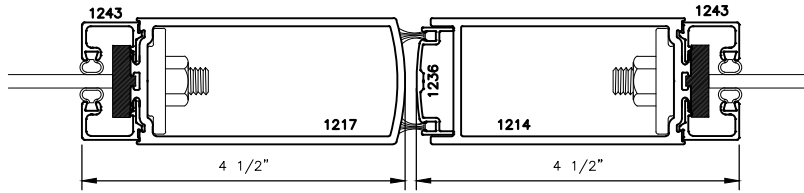
STANDARD SWEEP AND THRESHOLD SHOWN



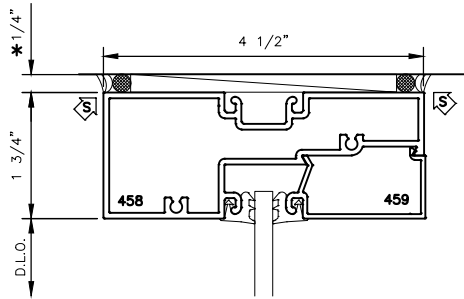
450

# 1 3/4" X 4 1/2" NON-THERMAL STOREFRONT DOOR FRAME WITH 135 SERIES (MEDIUM STILE) DOOR STANDARD DETAILS

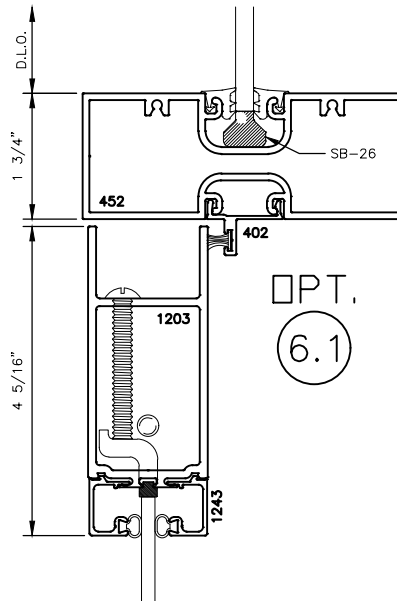
\* MINIMUM RECOMMENDED FOR THERMAL ISOLATION.  
INCREASE AS REQUIRED TO COMPLY WITH SEALANT  
MANUFACTURERS' INSTRUCTIONS



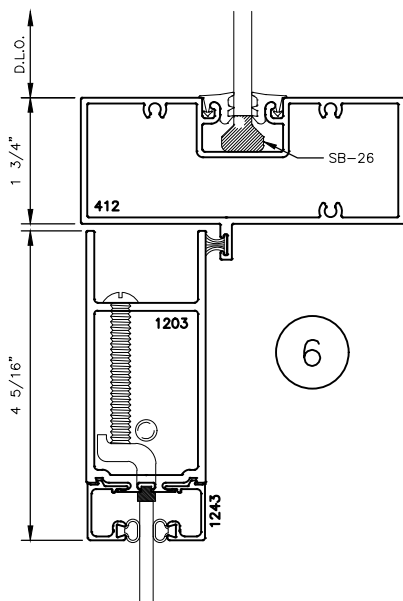
4



5



6.1



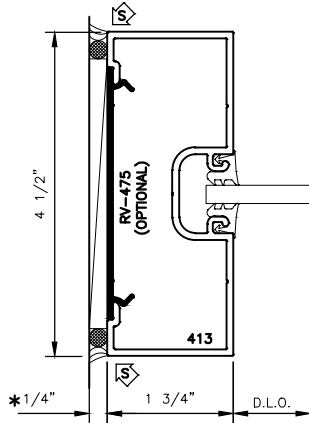
6



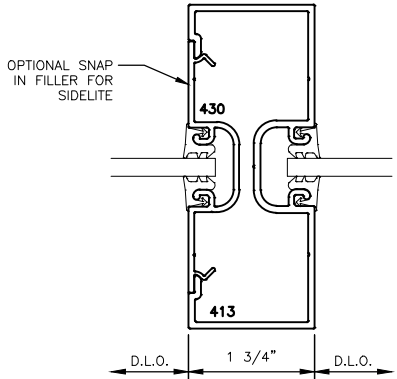
450

1 3/4" X 4 1/2" NON-THERMAL  
STOREFRONT DOOR FRAME  
WITH 135 SERIES (MEDIUM STILE)  
DOOR STANDARD DETAILS

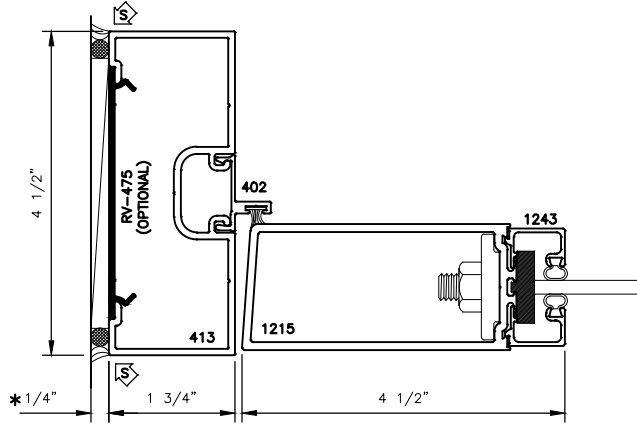
\* MINIMUM RECOMMENDED FOR THERMAL ISOLATION.  
INCREASE AS REQUIRED TO COMPLY WITH SEALANT  
MANUFACTURERS' INSTRUCTIONS



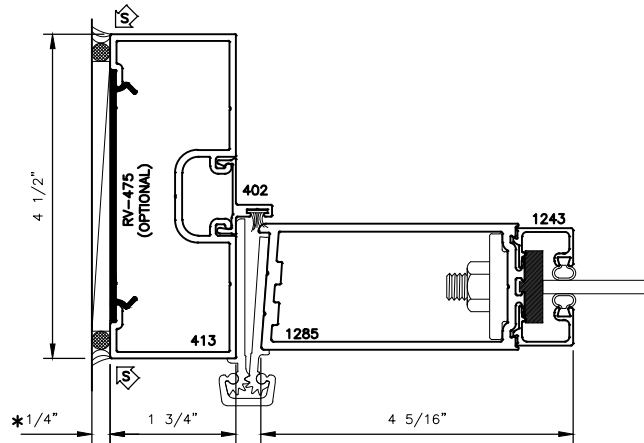
7



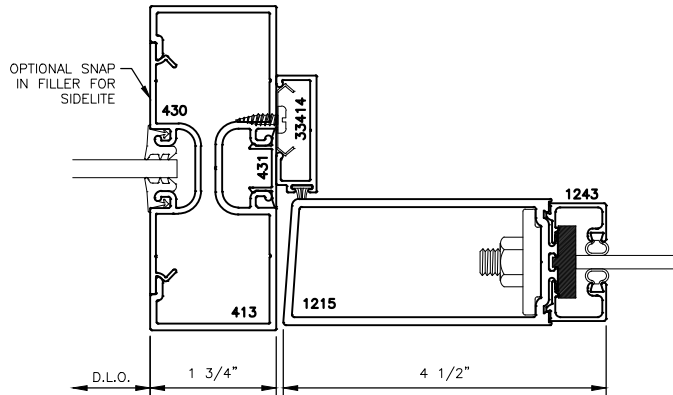
OPT,  
7.1



8



OPT,  
8.1



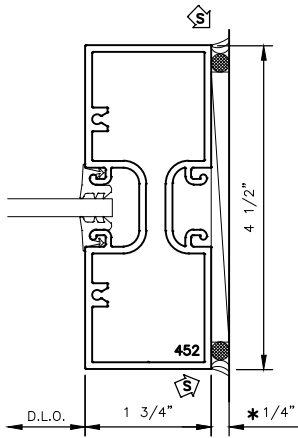
OPT,  
8.2



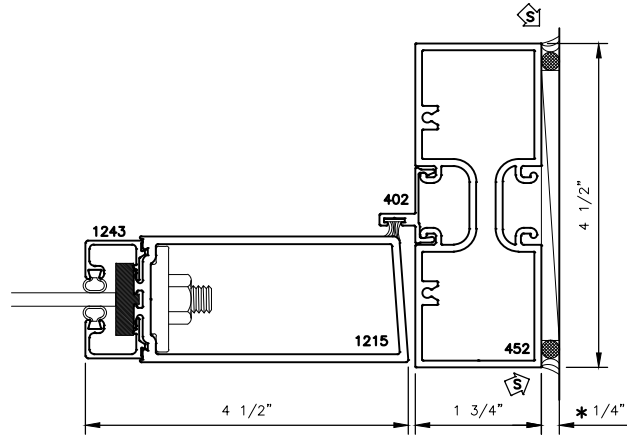
450

1 3/4" X 4 1/2" NON-THERMAL  
STOREFRONT DOOR FRAME  
WITH 135 SERIES (MEDIUM STILE)  
DOOR STANDARD DETAILS

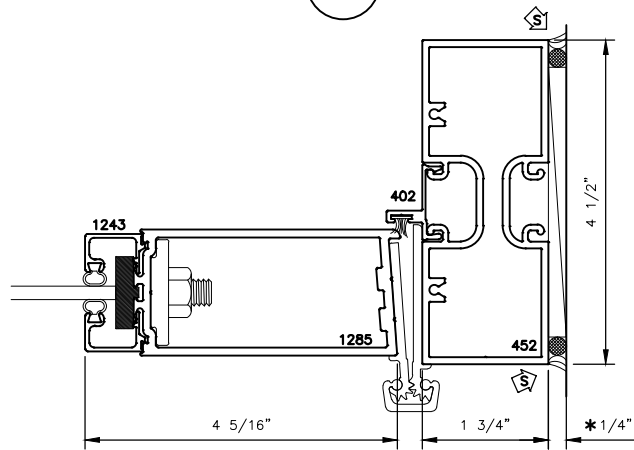
\* MINIMUM RECOMMENDED FOR THERMAL ISOLATION.  
INCREASE AS REQUIRED TO COMPLY WITH SEALANT  
MANUFACTURERS' INSTRUCTIONS



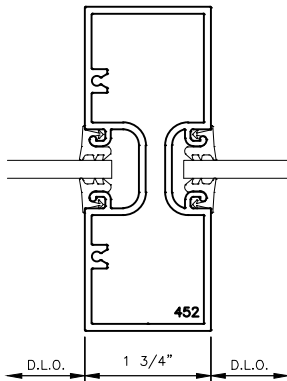
9



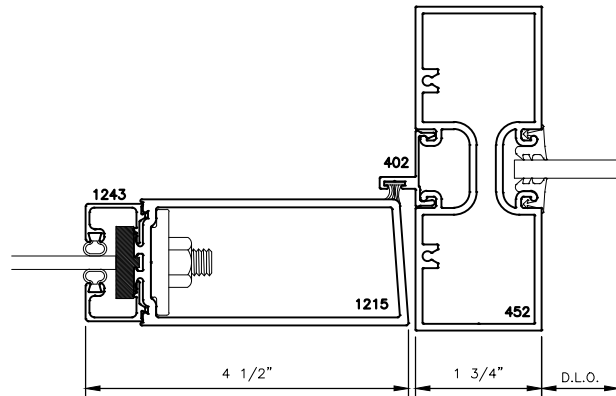
10



OPT.  
10.1



OPT.  
9.1



OPT.  
10.2



450

# 1 3/4" X 4 1/2" NON-THERMAL STOREFRONT DOOR FRAME WITH 135 SERIES (MEDIUM STILE) DOOR STANDARD DETAILS

\* MINIMUM RECOMMENDED FOR THERMAL ISOLATION.  
INCREASE AS REQUIRED TO COMPLY WITH SEALANT  
MANUFACTURERS' INSTRUCTIONS

