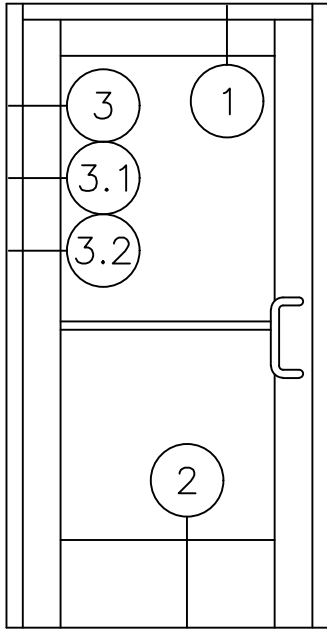


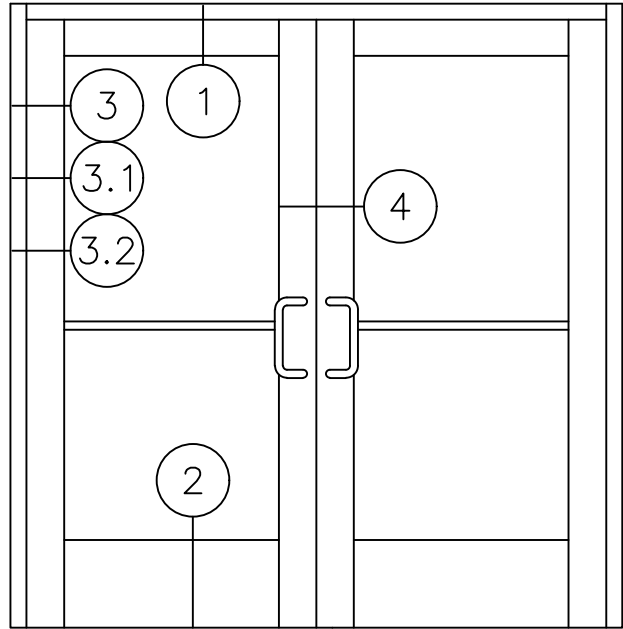


450-2

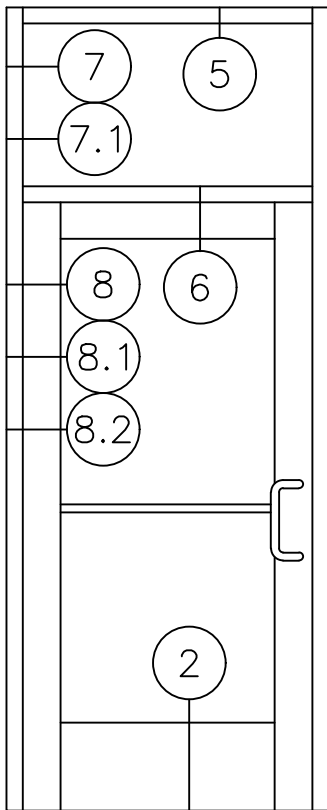
2" X 4 1/2" NON-THERMAL 1/4" GLAZING  
 STOREFRONT DOOR FRAME  
 WITH 135 SERIES (MEDIUM STILE)  
 DOOR STANDARD DETAILS



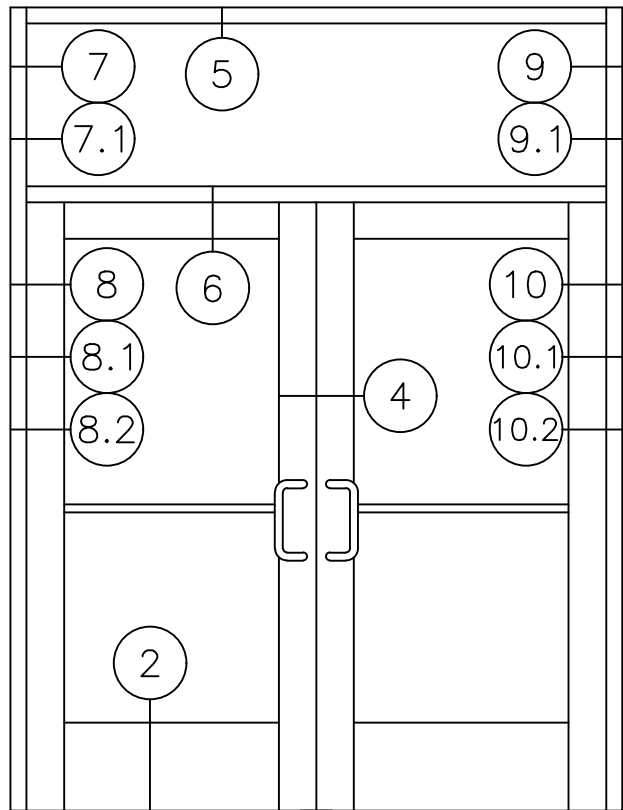
SINGLE DOOR  
 WITHOUT TRANSOM  
 STANDARD CONFIGURATION



PAIR DOORS  
 WITHOUT TRANSOM  
 STANDARD CONFIGURATION



SINGLE DOOR  
 WITH TRANSOM  
 STANDARD CONFIGURATION



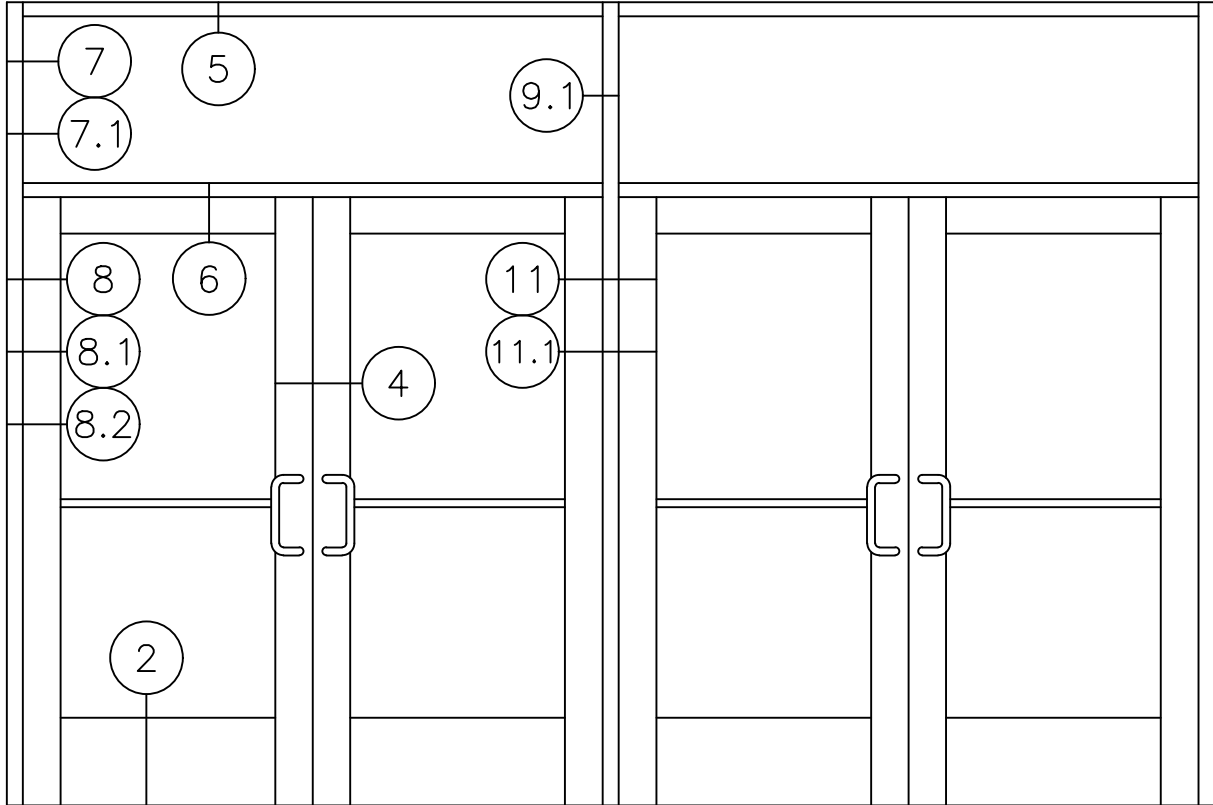
PAIR DOORS  
 WITH TRANSOM  
 STANDARD CONFIGURATION



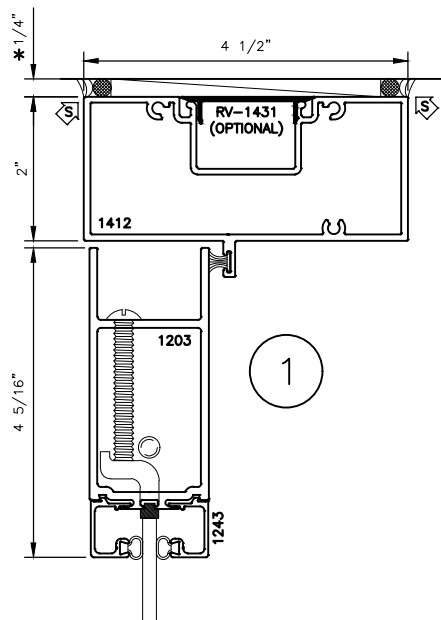
450-2

2" X 4 1/2" NON-THERMAL 1/4" GLAZING  
STOREFRONT DOOR FRAME  
WITH 135 SERIES (MEDIUM STILE)  
DOOR STANDARD DETAILS

\* MINIMUM RECOMMENDED FOR THERMAL ISOLATION.  
INCREASE AS REQUIRED TO COMPLY WITH SEALANT  
MANUFACTURERS' INSTRUCTIONS



MULTIPLE PAIR DOORS MULLED TOGETHER  
WITH TRANSOM STANDARD CONFIGURATION

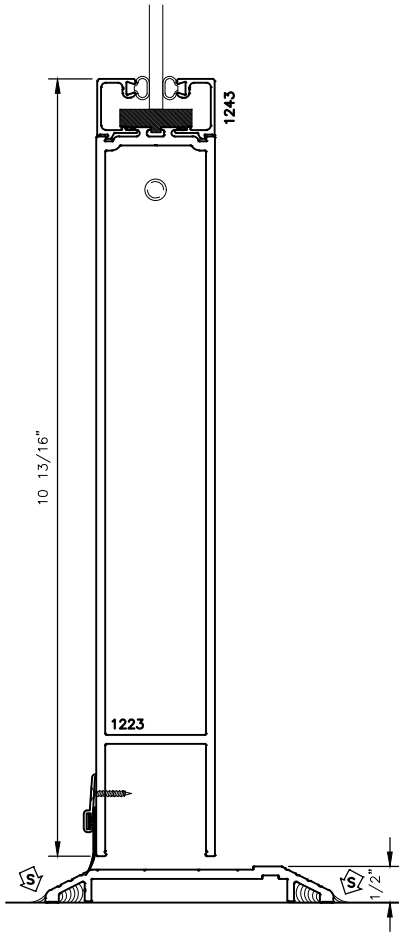




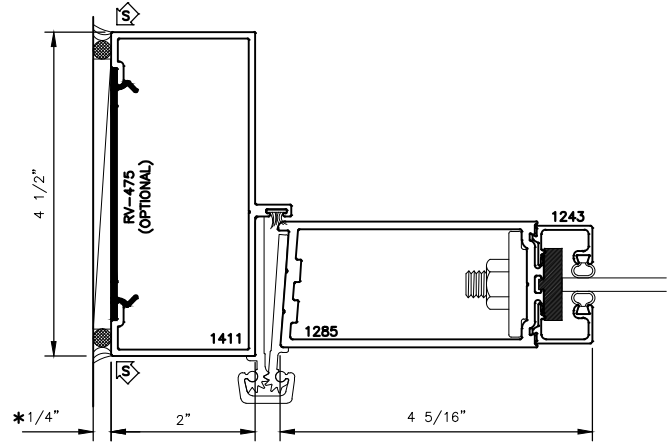
450-2

2" X 4 1/2" NON-THERMAL 1/4" GLAZING  
STOREFRONT DOOR FRAME  
WITH 135 SERIES (MEDIUM STILE)  
DOOR STANDARD DETAILS

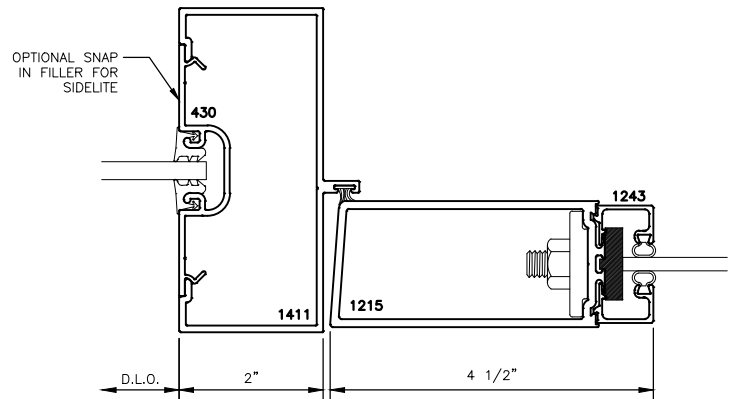
\* MINIMUM RECOMMENDED FOR THERMAL ISOLATION.  
INCREASE AS REQUIRED TO COMPLY WITH SEALANT  
MANUFACTURERS' INSTRUCTIONS



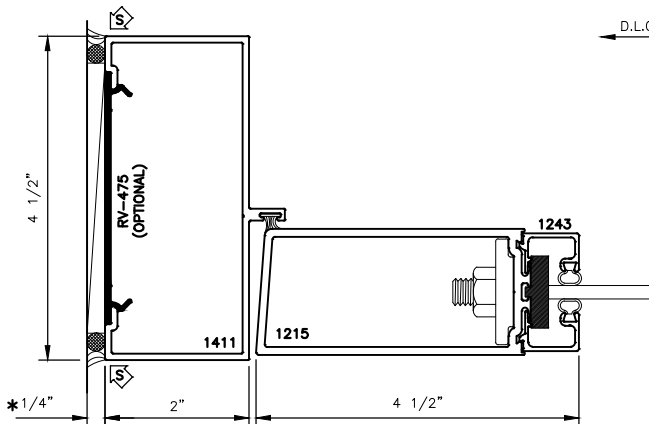
2



OPT.  
3.1



OPT.  
3.2



3

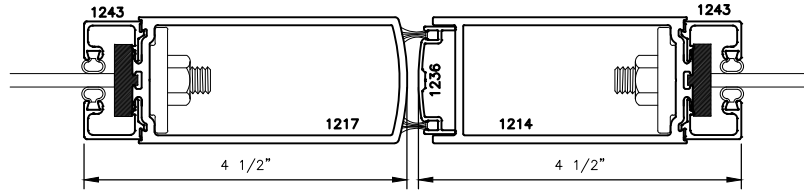
STANDARD SWEEP AND THRESHOLD SHOWN



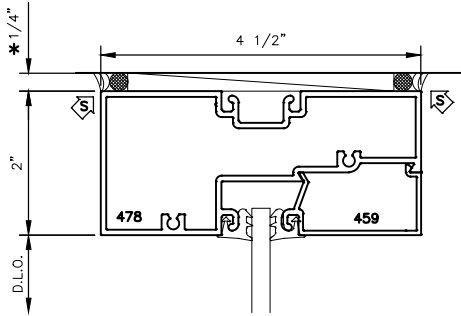
450-2

2" X 4 1/2" NON-THERMAL 1/4" GLAZING  
STOREFRONT DOOR FRAME  
WITH 135 SERIES (MEDIUM STILE)  
DOOR STANDARD DETAILS

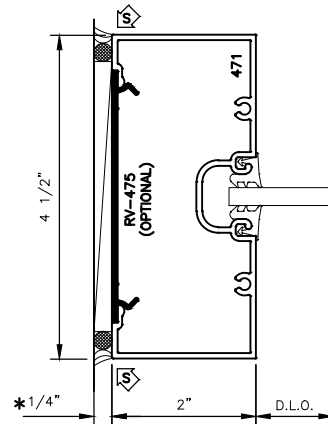
\* MINIMUM RECOMMENDED FOR THERMAL ISOLATION.  
INCREASE AS REQUIRED TO COMPLY WITH SEALANT  
MANUFACTURERS' INSTRUCTIONS



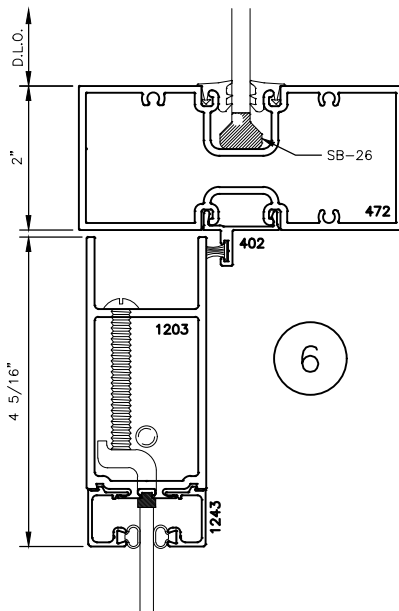
4



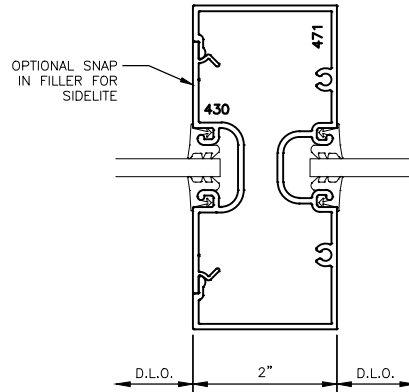
5



7



6



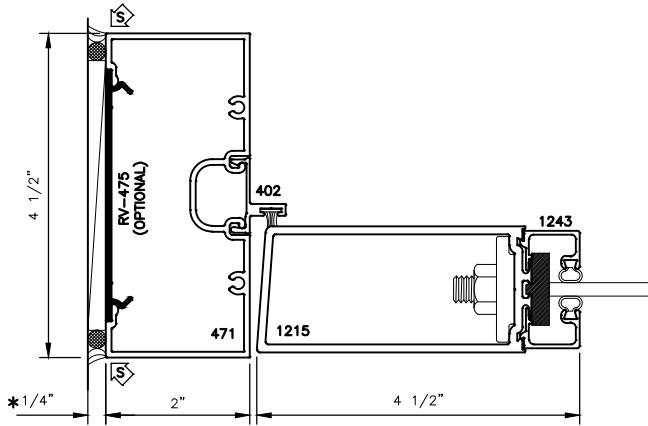
OPT.  
7.1



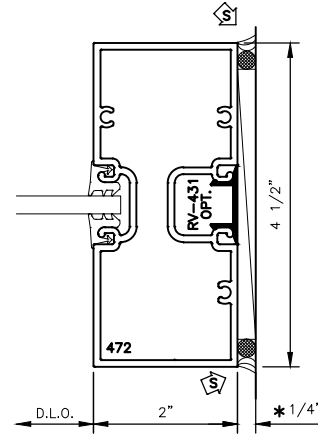
450-2

2" X 4 1/2" NON-THERMAL 1/4" GLAZING  
STOREFRONT DOOR FRAME  
WITH 135 SERIES (MEDIUM STILE)  
DOOR STANDARD DETAILS

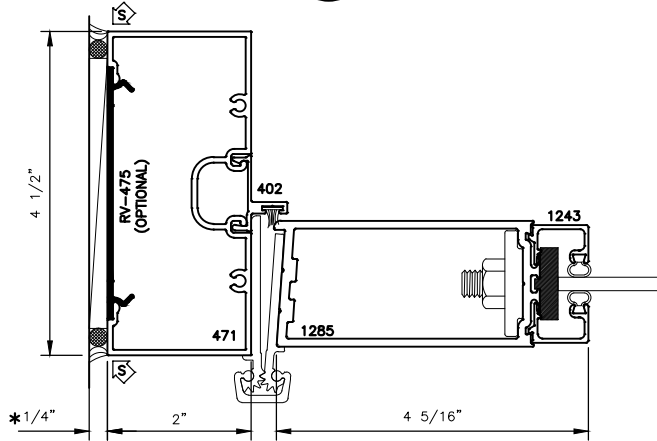
\* MINIMUM RECOMMENDED FOR THERMAL ISOLATION.  
INCREASE AS REQUIRED TO COMPLY WITH SEALANT  
MANUFACTURERS' INSTRUCTIONS



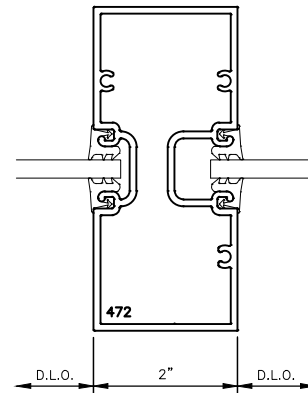
8



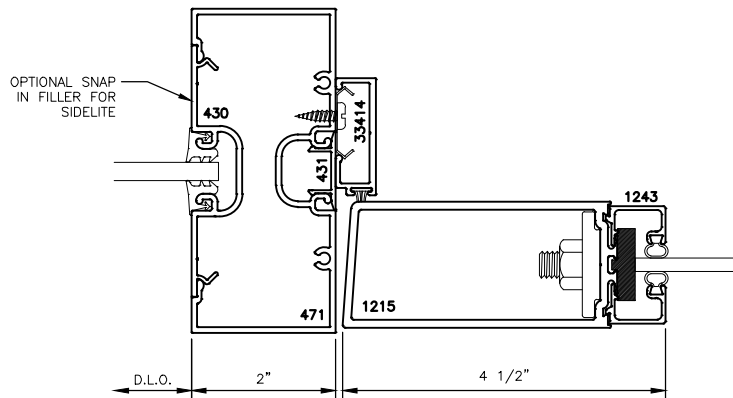
9



OPT.  
8.1



OPT.  
9.1



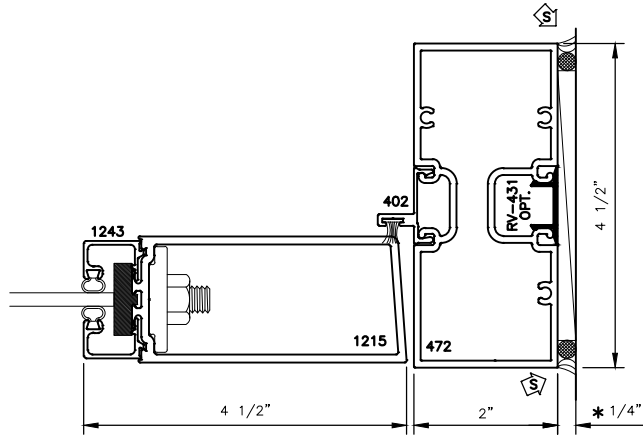
OPT.  
8.2



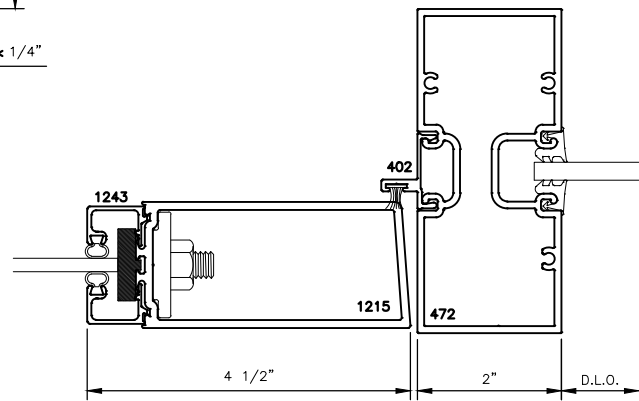
450-2

2" X 4 1/2" NON-THERMAL 1/4" GLAZING  
STOREFRONT DOOR FRAME  
WITH 135 SERIES (MEDIUM STILE)  
DOOR STANDARD DETAILS

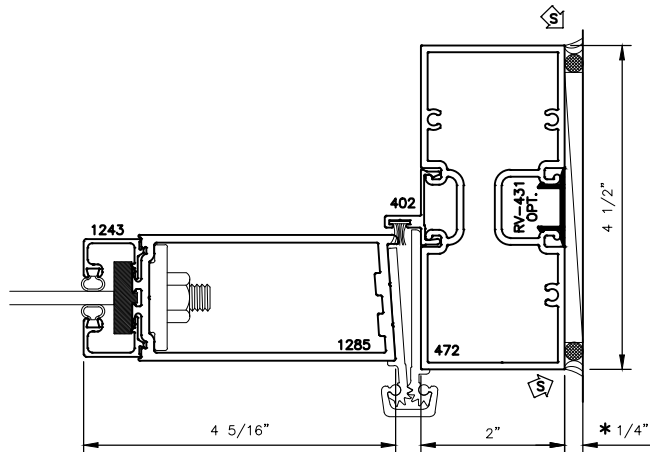
\* MINIMUM RECOMMENDED FOR THERMAL ISOLATION.  
INCREASE AS REQUIRED TO COMPLY WITH SEALANT  
MANUFACTURERS' INSTRUCTIONS



10



OPT.  
10.2



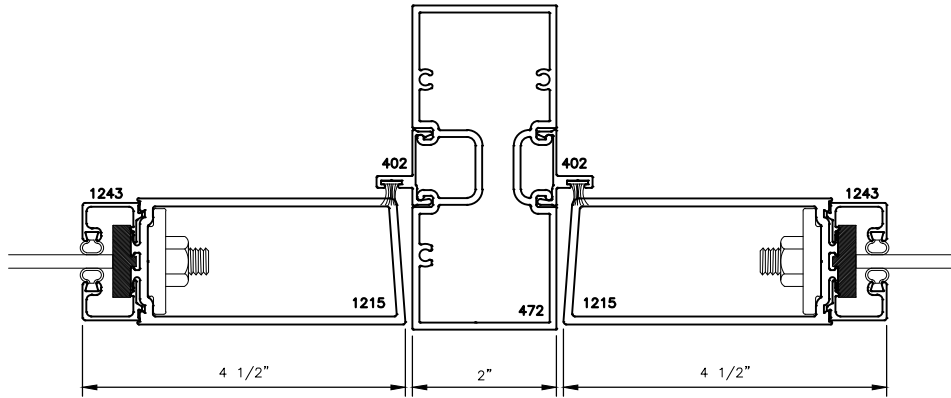
OPT.  
10.1



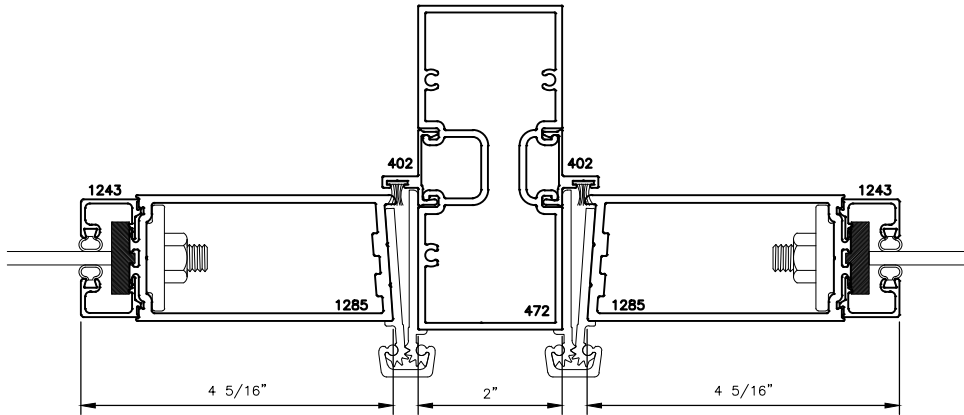
450-2

2" X 4 1/2" NON-THERMAL 1/4" GLAZING  
STOREFRONT DOOR FRAME  
WITH 135 SERIES (MEDIUM STILE)  
DOOR STANDARD DETAILS

\* MINIMUM RECOMMENDED FOR THERMAL ISOLATION.  
INCREASE AS REQUIRED TO COMPLY WITH SEALANT  
MANUFACTURERS' INSTRUCTIONS



11



OPT.  
11.1