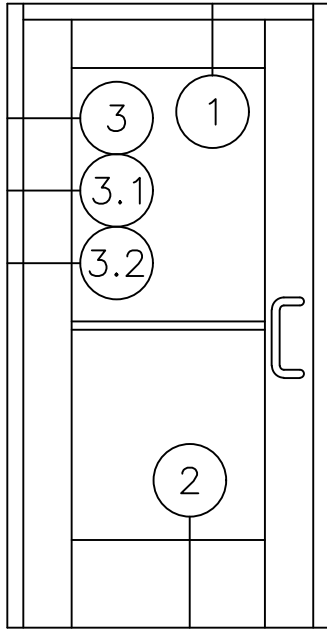
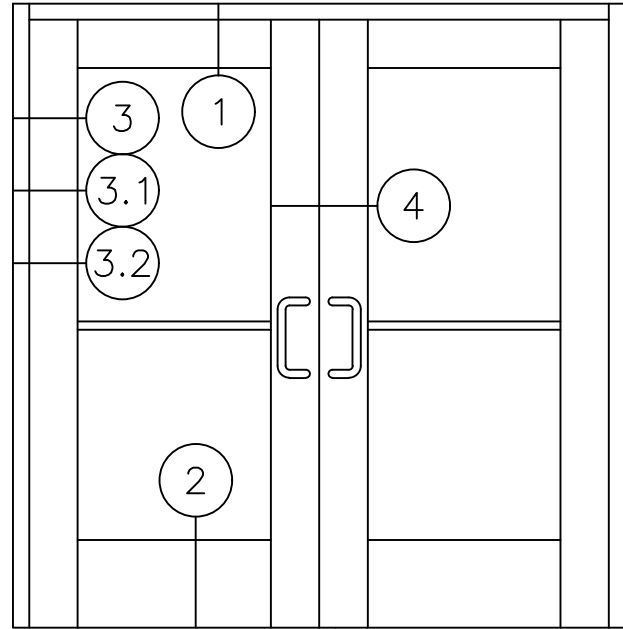




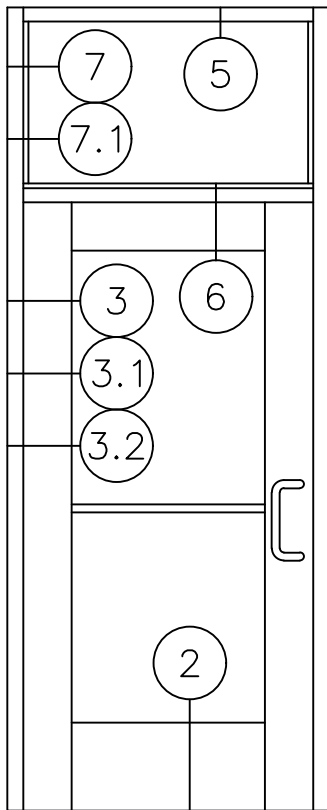
**2" X 4 1/2" THERMALLY BROKEN
STOREFRONT DOOR FRAME
WITH 150 SERIES (WIDE STILE)
DOOR STANDARD DETAILS**



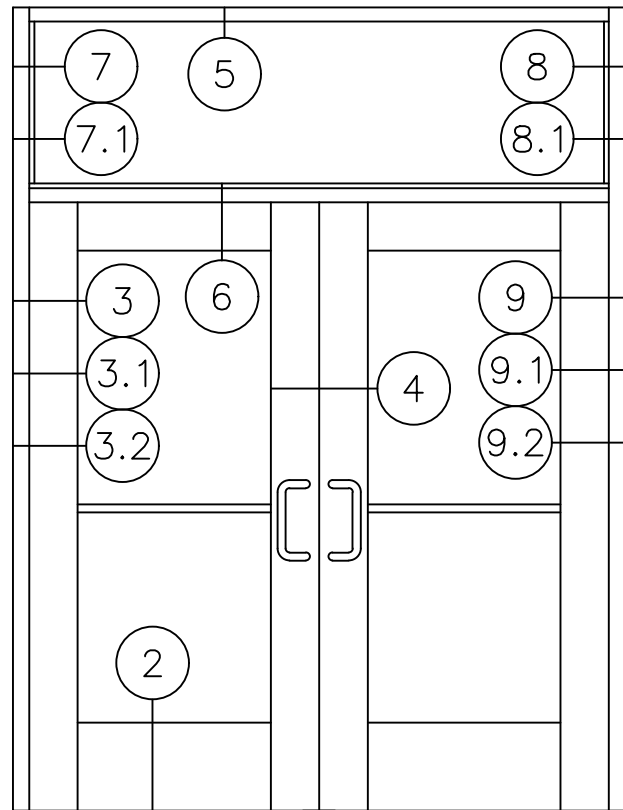
SINGLE DOOR
WITHOUT TRANSOM
STANDARD CONFIGURATION



PAIR DOORS
WITHOUT TRANSOM
STANDARD CONFIGURATION



SINGLE DOOR
WITH TRANSOM
STANDARD CONFIGURATION

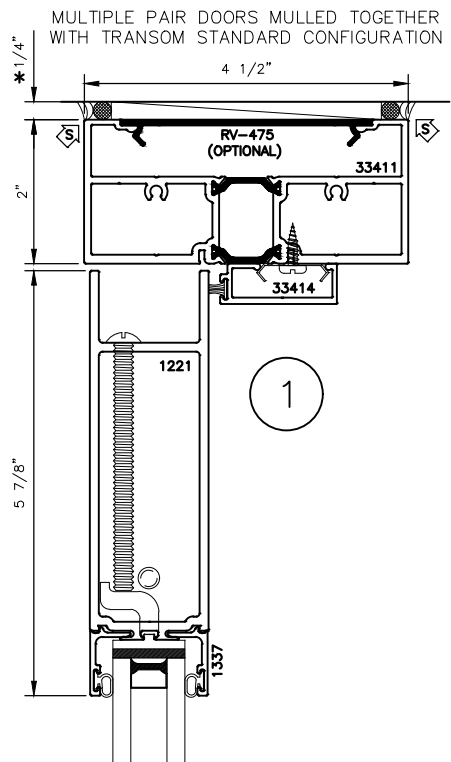
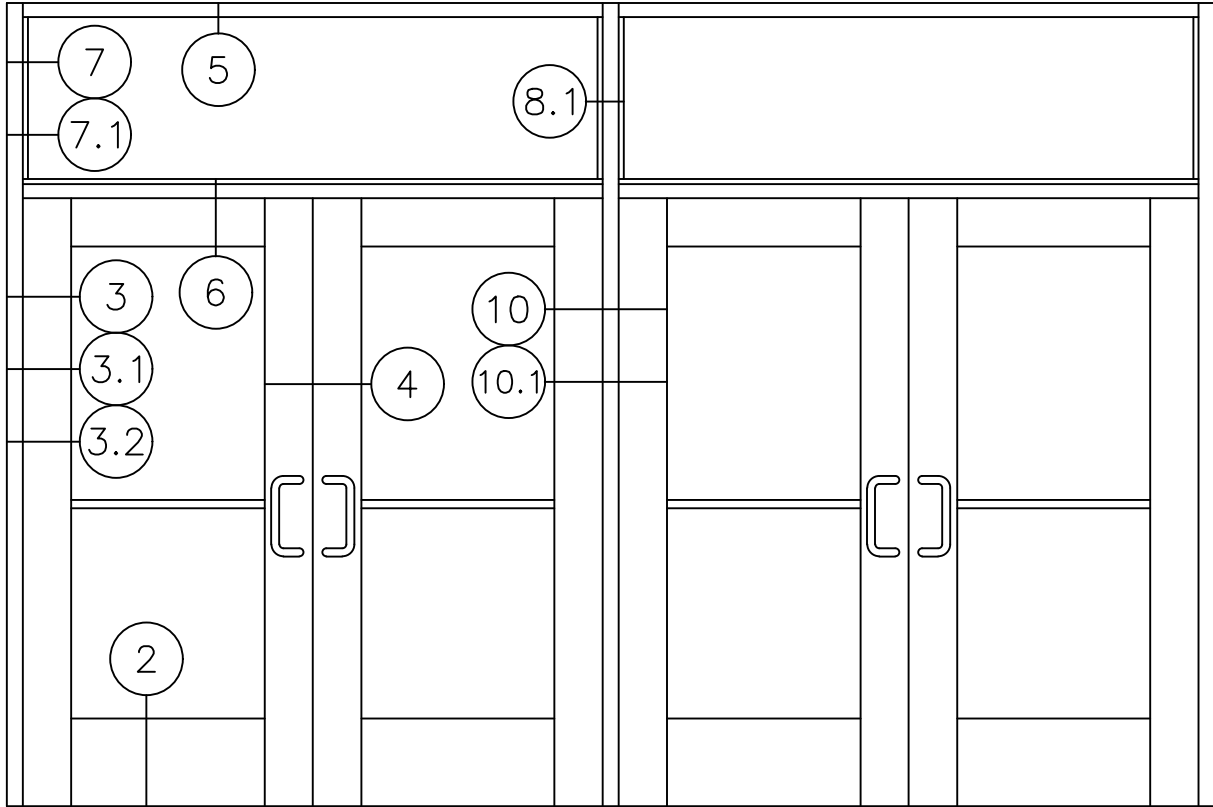


PAIR DOORS
WITH TRANSOM
STANDARD CONFIGURATION



2" X 4 1/2" THERMALLY BROKEN STOREFRONT DOOR FRAME WITH 150 SERIES (WIDE STILE) DOOR STANDARD DETAILS

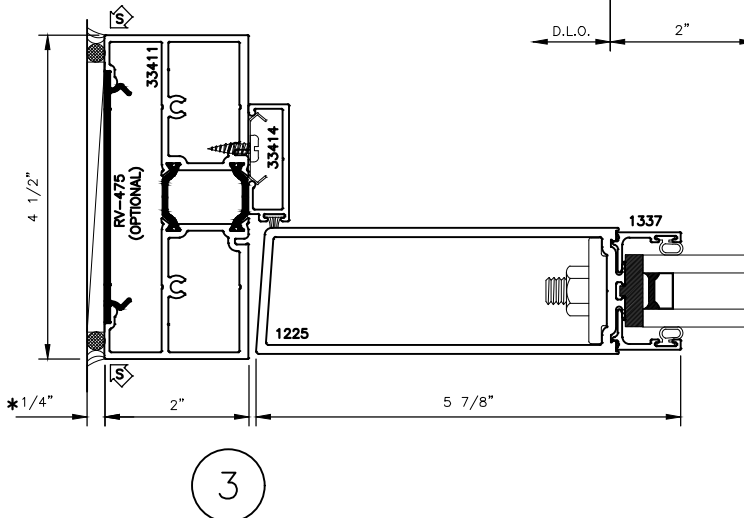
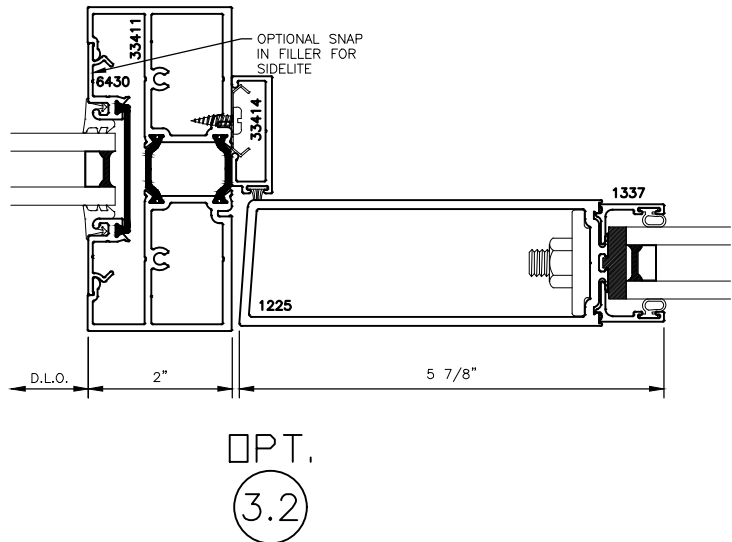
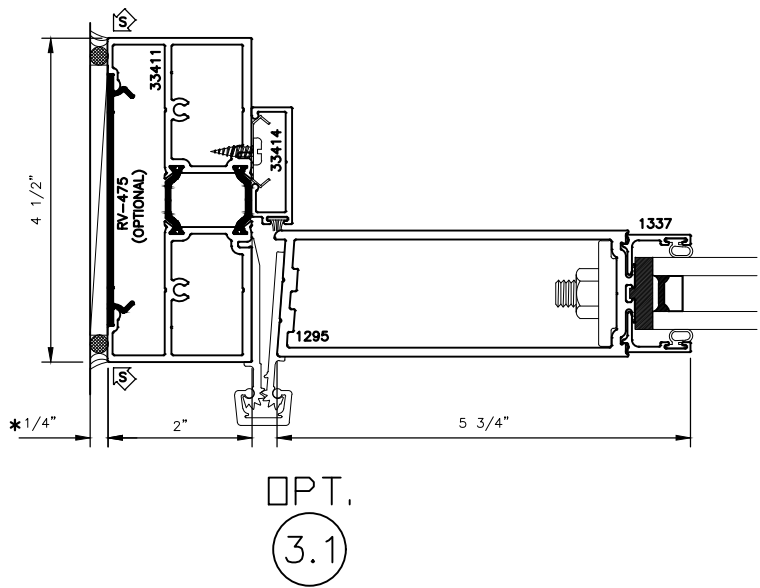
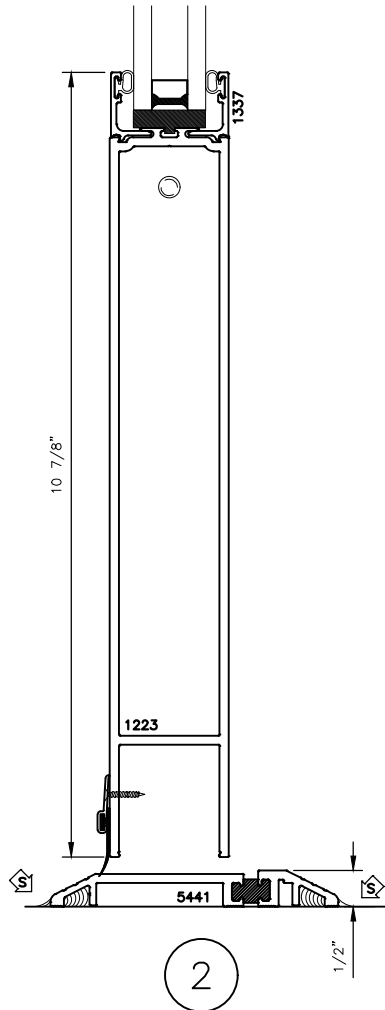
* MINIMUM RECOMMENDED FOR THERMAL ISOLATION.
INCREASE AS REQUIRED TO COMPLY WITH SEALANT
MANUFACTURERS' INSTRUCTIONS





2" X 4 1/2" THERMALLY BROKEN STOREFRONT DOOR FRAME WITH 150 SERIES (WIDE STILE) DOOR STANDARD DETAILS

* MINIMUM RECOMMENDED FOR THERMAL ISOLATION.
INCREASE AS REQUIRED TO COMPLY WITH SEALANT
MANUFACTURERS' INSTRUCTIONS

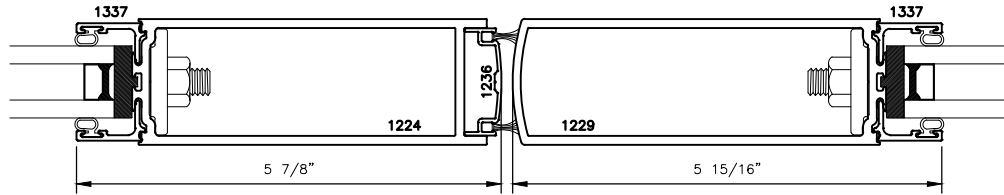


STANDARD SWEEP SHOWN

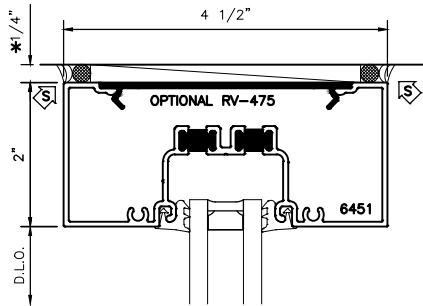


2" X 4 1/2" THERMALLY BROKEN STOREFRONT DOOR FRAME WITH 150 SERIES (WIDE STILE) DOOR STANDARD DETAILS

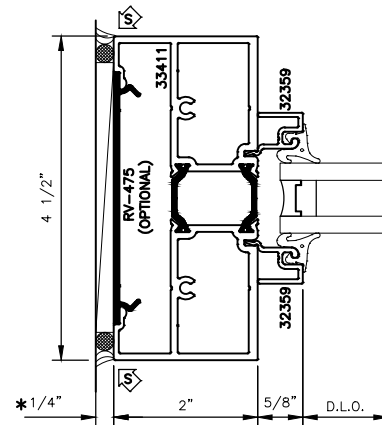
* MINIMUM RECOMMENDED FOR THERMAL ISOLATION.
INCREASE AS REQUIRED TO COMPLY WITH SEALANT
MANUFACTURERS' INSTRUCTIONS



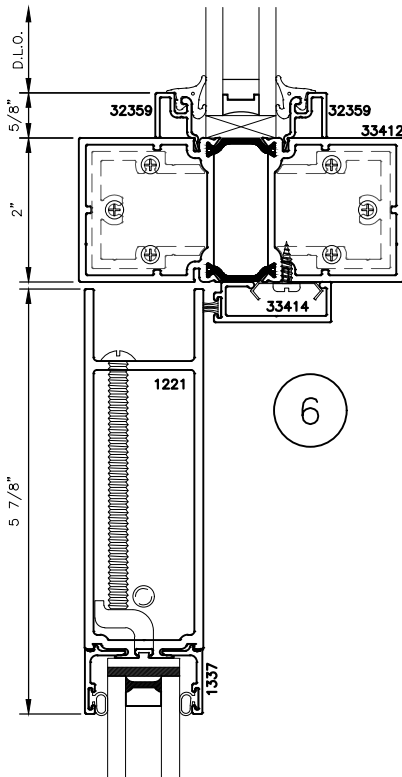
4



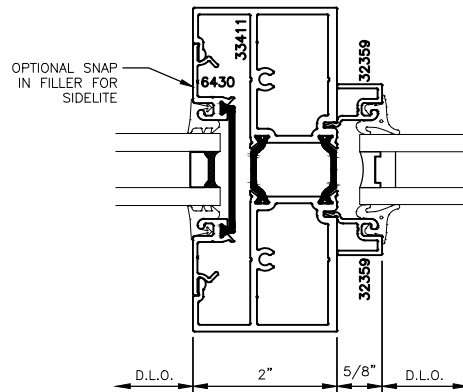
5



7



6

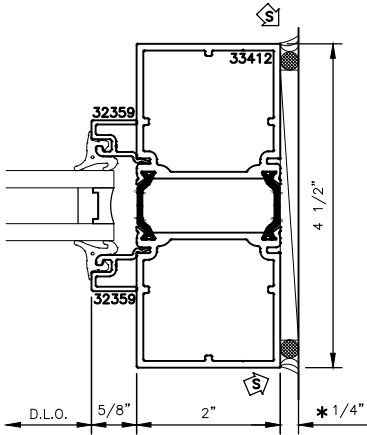


OPT.
7.1

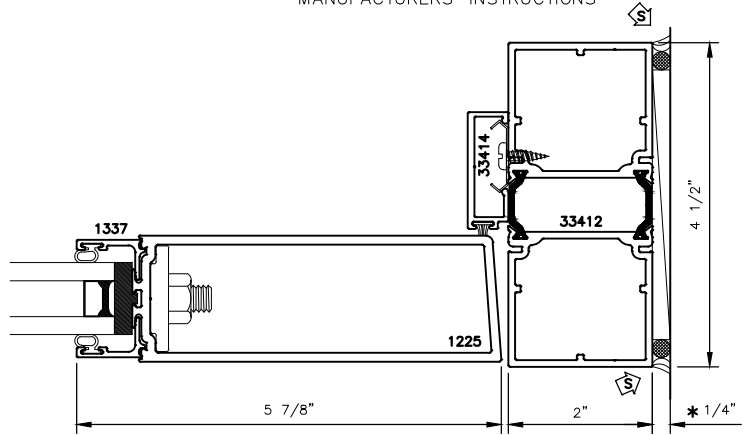


2" X 4 1/2" THERMALLY BROKEN STOREFRONT DOOR FRAME WITH 150 SERIES (WIDE STILE) DOOR STANDARD DETAILS

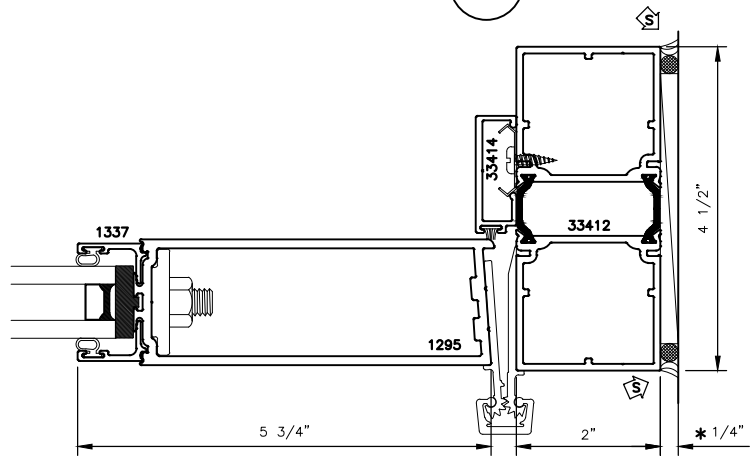
* MINIMUM RECOMMENDED FOR THERMAL ISOLATION.
INCREASE AS REQUIRED TO COMPLY WITH SEALANT
MANUFACTURERS' INSTRUCTIONS



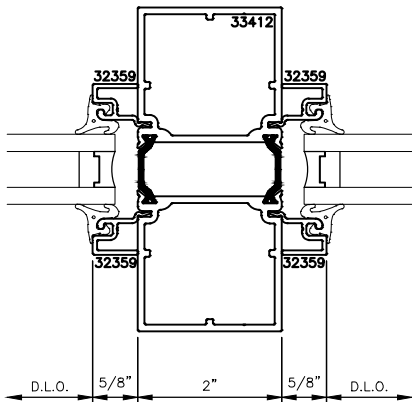
8



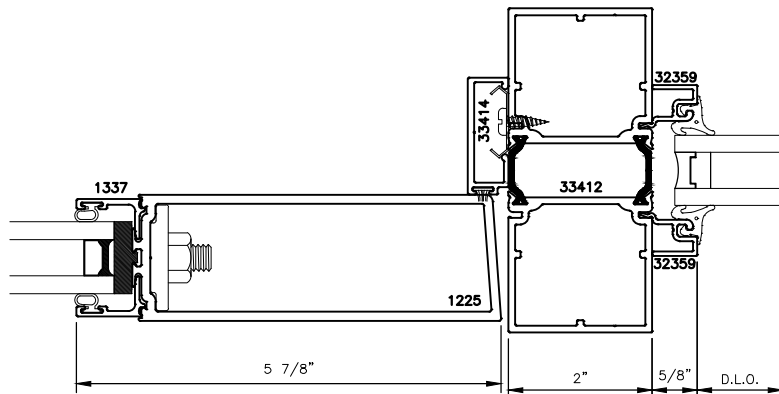
9



OPT.
9.1



OPT.
8.1

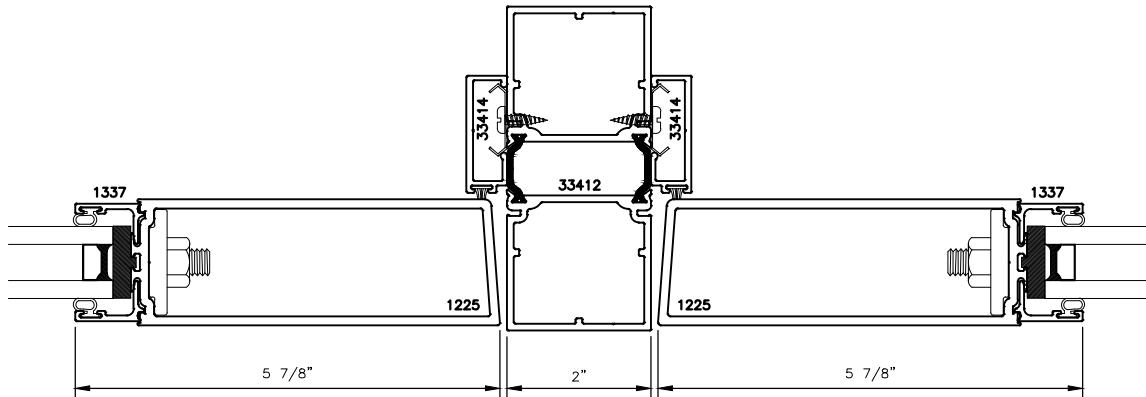


OPT.
9.2

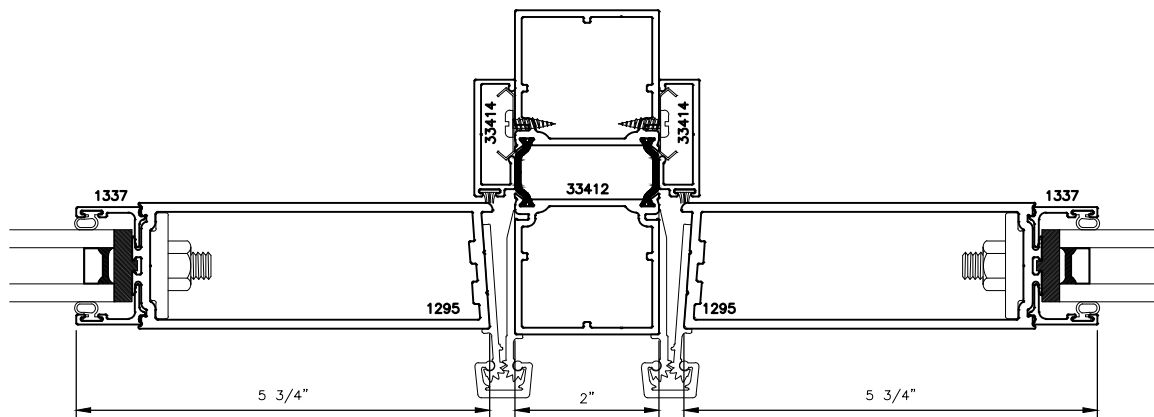


2" X 4 1/2" THERMALLY BROKEN STOREFRONT DOOR FRAME WITH 150 SERIES (WIDE STILE) DOOR STANDARD DETAILS

* MINIMUM RECOMMENDED FOR THERMAL ISOLATION.
INCREASE AS REQUIRED TO COMPLY WITH SEALANT
MANUFACTURERS' INSTRUCTIONS



10



OPT.

10.1