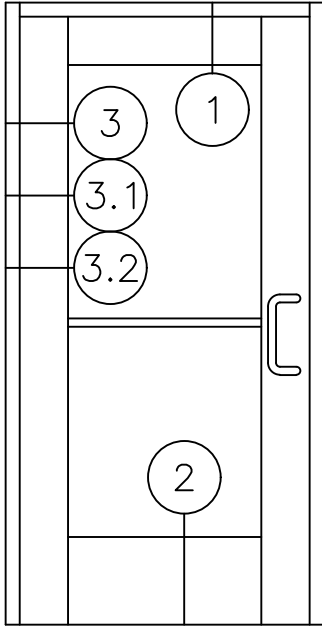


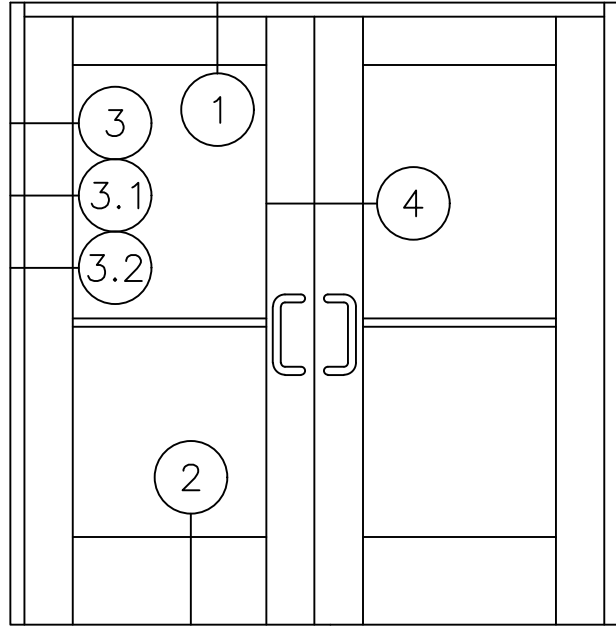


450

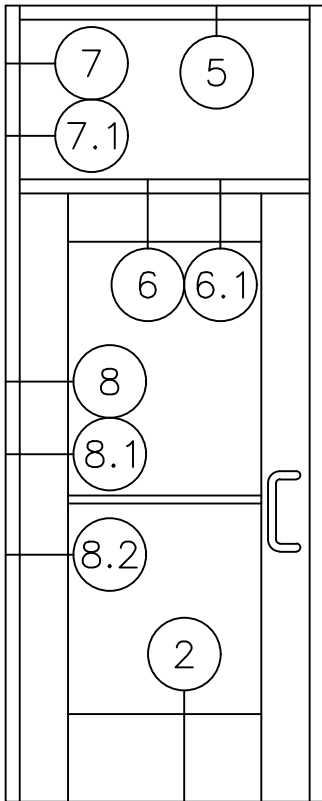
**1 3/4" X 4 1/2" NON-THERMAL
STOREFRONT DOOR FRAME
WITH 150 SERIES (WIDE STILE)
DOOR STANDARD DETAILS**



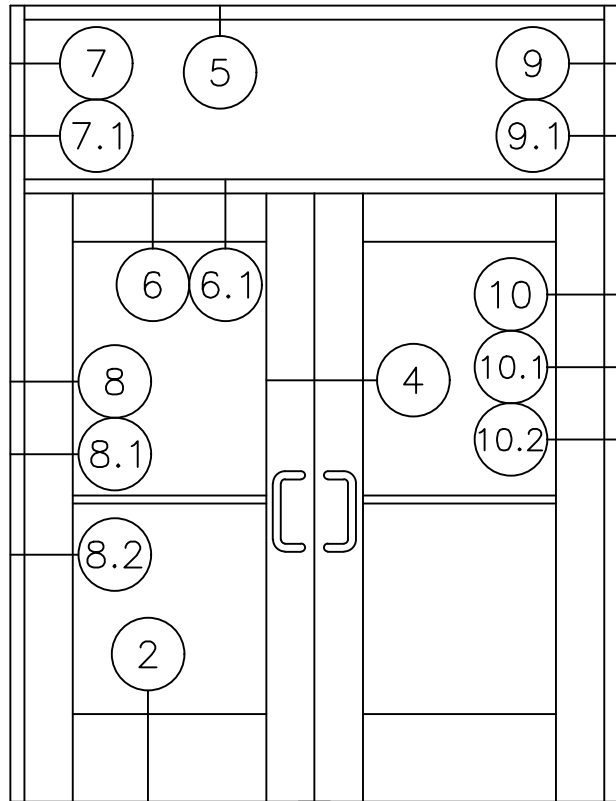
SINGLE DOOR
WITHOUT TRANSOM
STANDARD CONFIGURATION



PAIR DOORS
WITHOUT TRANSOM
STANDARD CONFIGURATION



SINGLE DOOR
WITH TRANSOM
STANDARD CONFIGURATION



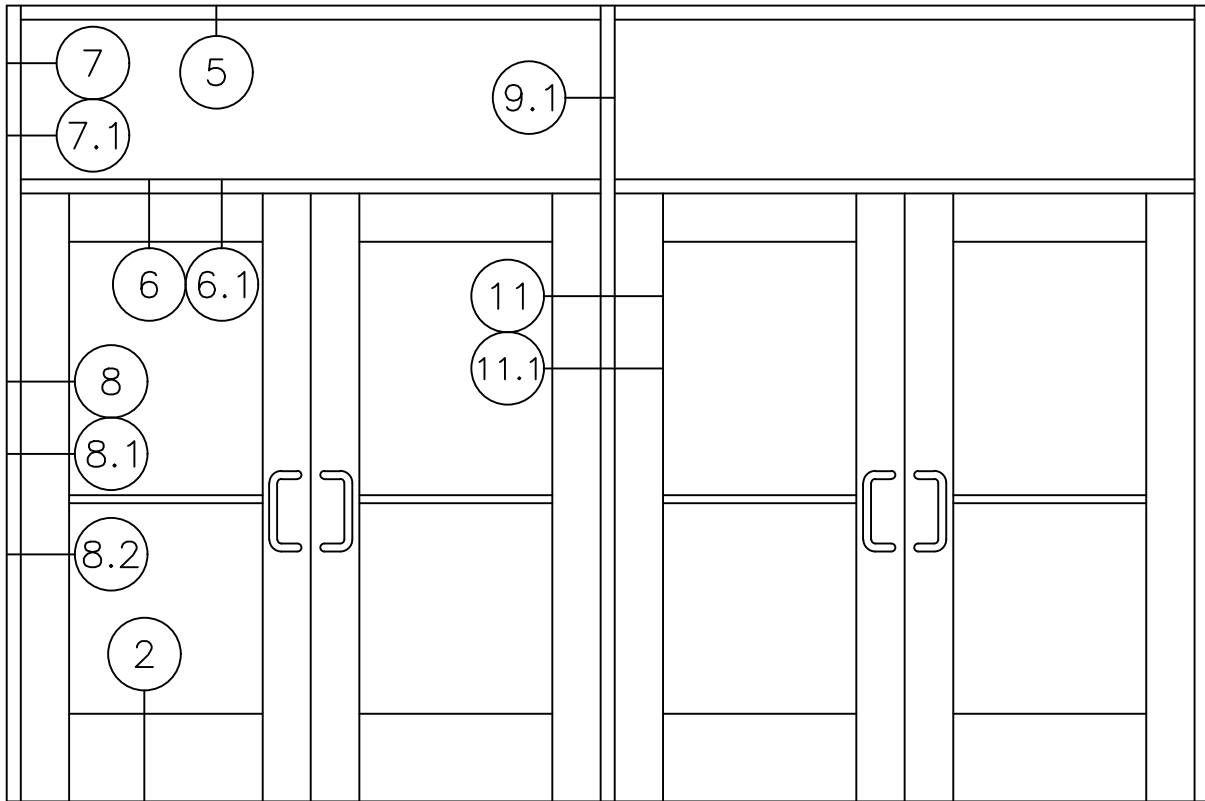
PAIR DOORS
WITH TRANSOM
STANDARD CONFIGURATION



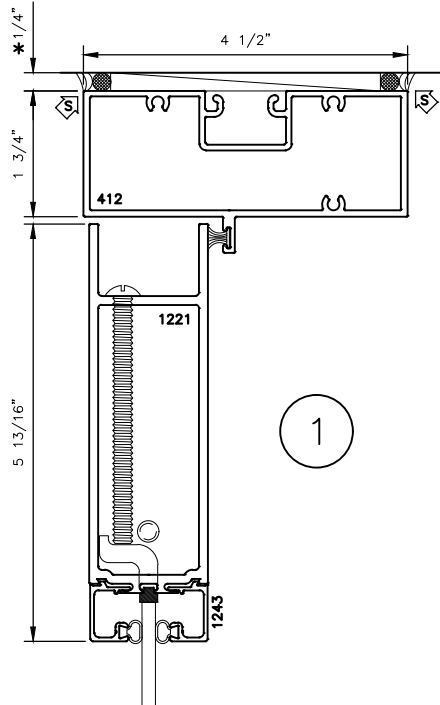
450

1 3/4" X 4 1/2" NON-THERMAL STOREFRONT DOOR FRAME WITH 150 SERIES (WIDE STILE) DOOR STANDARD DETAILS

* MINIMUM RECOMMENDED FOR THERMAL ISOLATION. INCREASE AS REQUIRED TO COMPLY WITH SEALANT MANUFACTURERS' INSTRUCTIONS



MULTIPLE PAIR DOORS MULLED TOGETHER WITH TRANSOM STANDARD CONFIGURATION

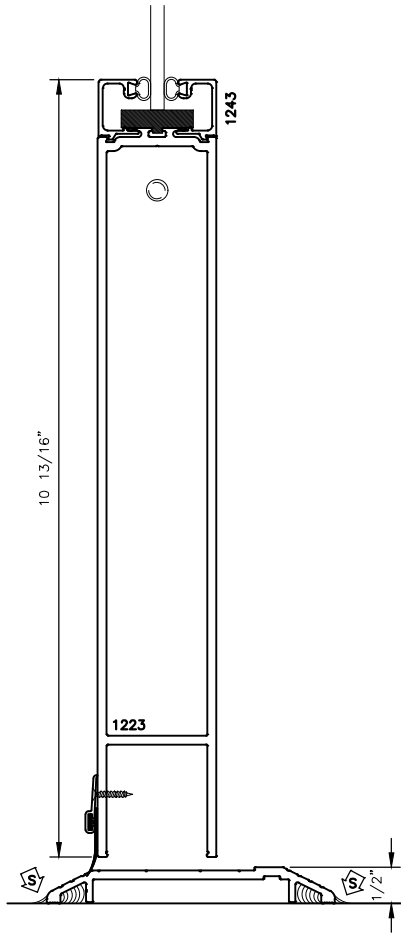




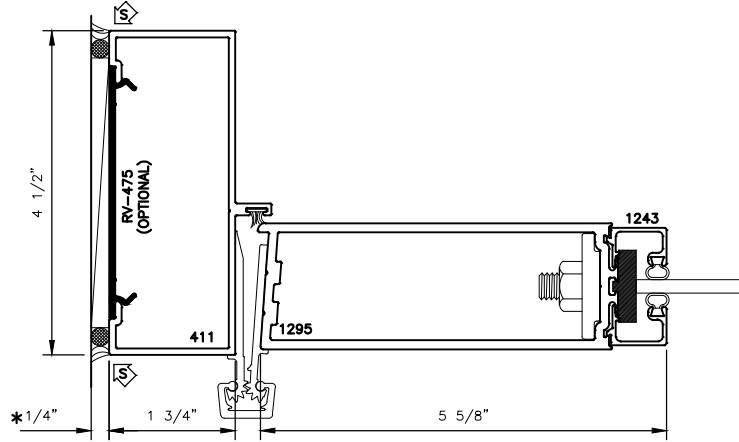
450

1 3/4" X 4 1/2" NON-THERMAL
STOREFRONT DOOR FRAME
WITH 150 SERIES (WIDE STILE)
DOOR STANDARD DETAILS

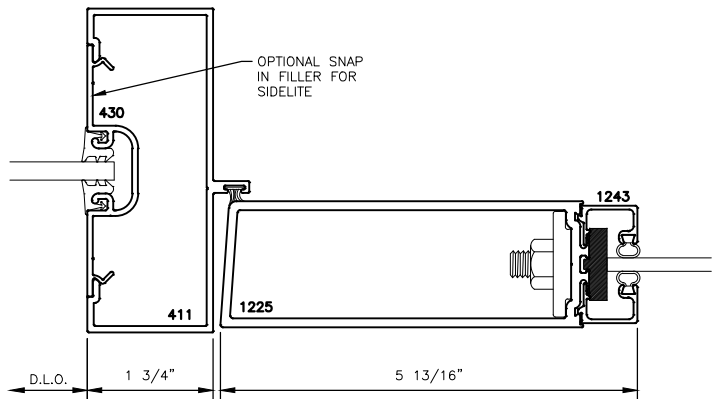
* MINIMUM RECOMMENDED FOR THERMAL ISOLATION.
INCREASE AS REQUIRED TO COMPLY WITH SEALANT
MANUFACTURERS' INSTRUCTIONS



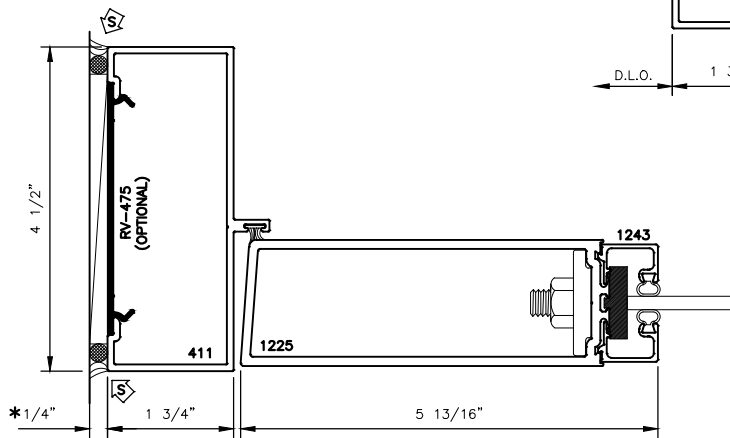
2



OPT.
3.1



OPT.
3.2



3

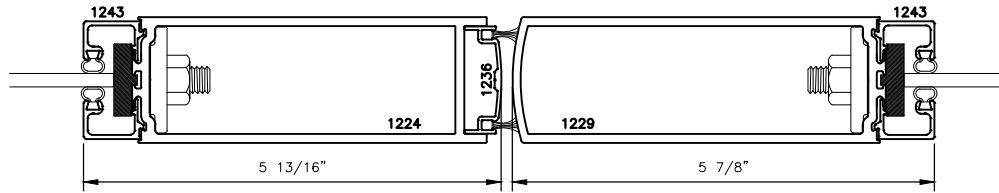
STANDARD SWEEP AND THRESHOLD SHOWN



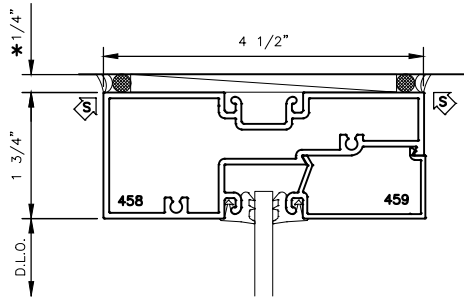
450

1 3/4" X 4 1/2" NON-THERMAL
STOREFRONT DOOR FRAME
WITH 150 SERIES (WIDE STILE)
DOOR STANDARD DETAILS

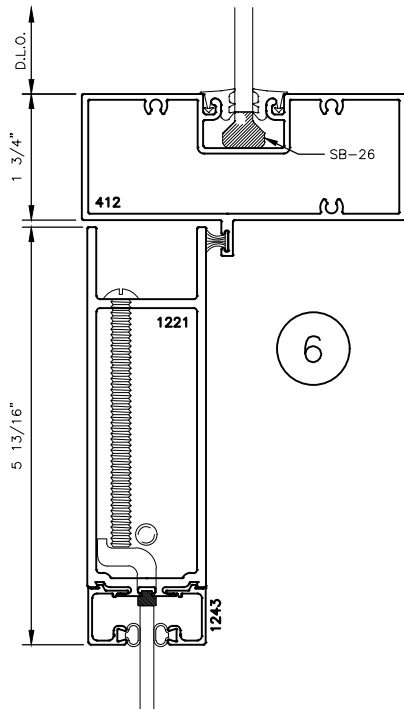
* MINIMUM RECOMMENDED FOR THERMAL ISOLATION.
INCREASE AS REQUIRED TO COMPLY WITH SEALANT
MANUFACTURERS' INSTRUCTIONS



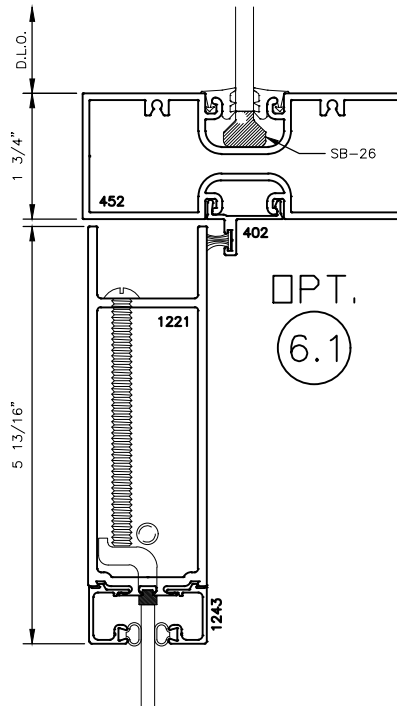
4



5



6



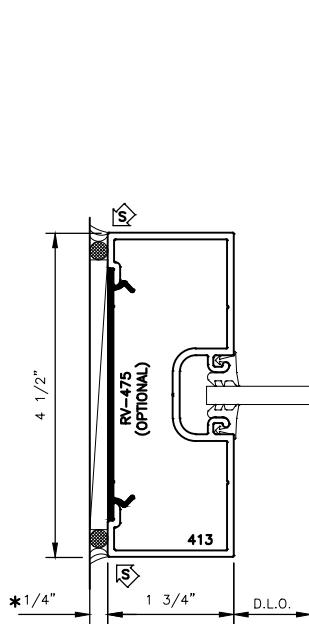
OPT.
6.1



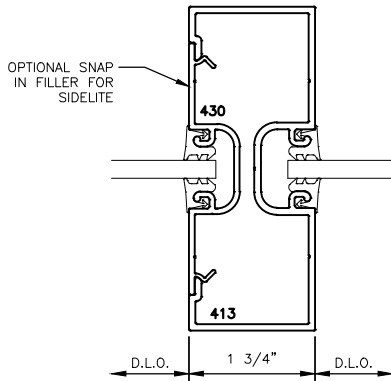
450

1 3/4" X 4 1/2" NON-THERMAL
STOREFRONT DOOR FRAME
WITH 150 SERIES (WIDE STILE)
DOOR STANDARD DETAILS

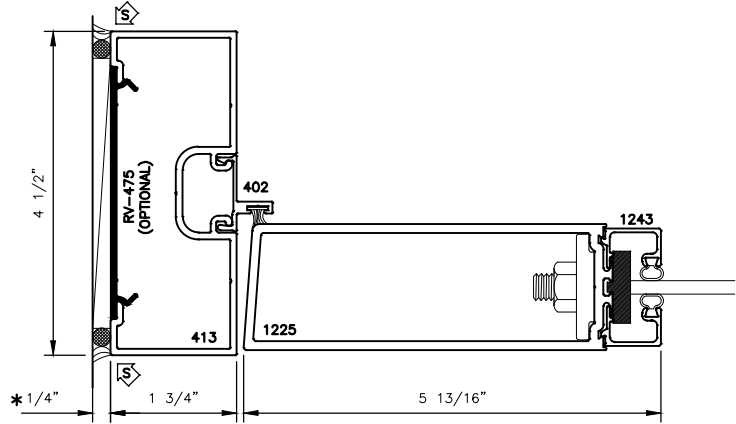
* MINIMUM RECOMMENDED FOR THERMAL ISOLATION.
INCREASE AS REQUIRED TO COMPLY WITH SEALANT
MANUFACTURERS' INSTRUCTIONS



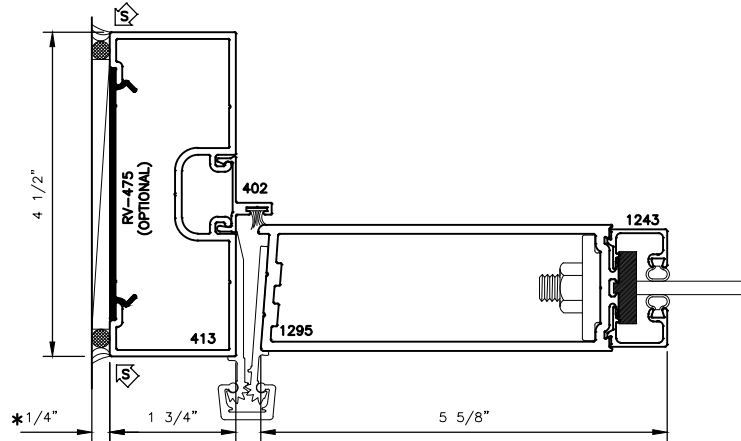
7



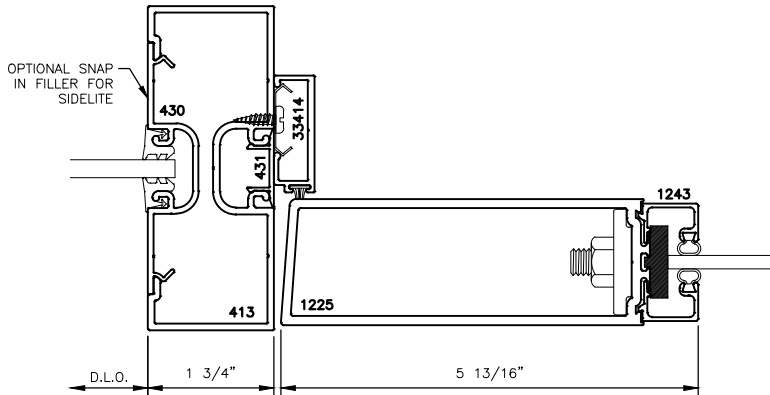
OPT,
7.1



8



OPT,
8.1



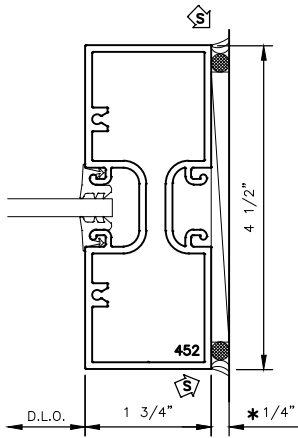
OPT,
8.2



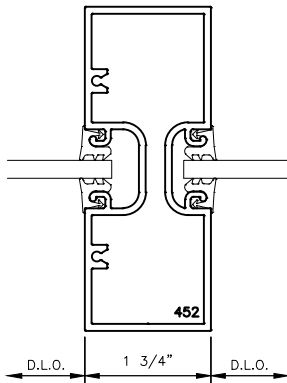
450

1 3/4" X 4 1/2" NON-THERMAL
STOREFRONT DOOR FRAME
WITH 150 SERIES (WIDE STILE)
DOOR STANDARD DETAILS

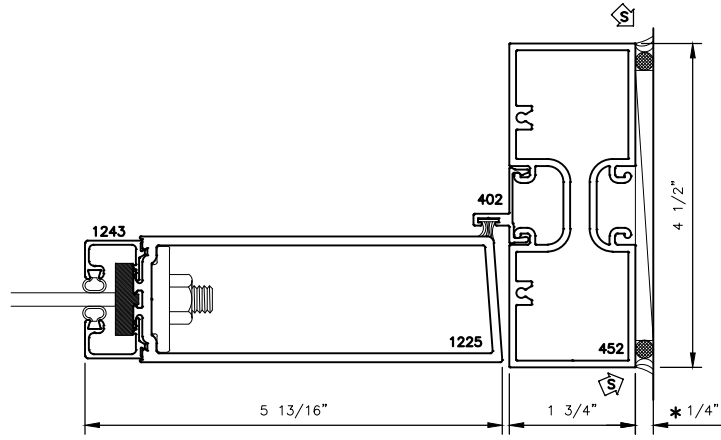
* MINIMUM RECOMMENDED FOR THERMAL ISOLATION.
INCREASE AS REQUIRED TO COMPLY WITH SEALANT
MANUFACTURERS' INSTRUCTIONS



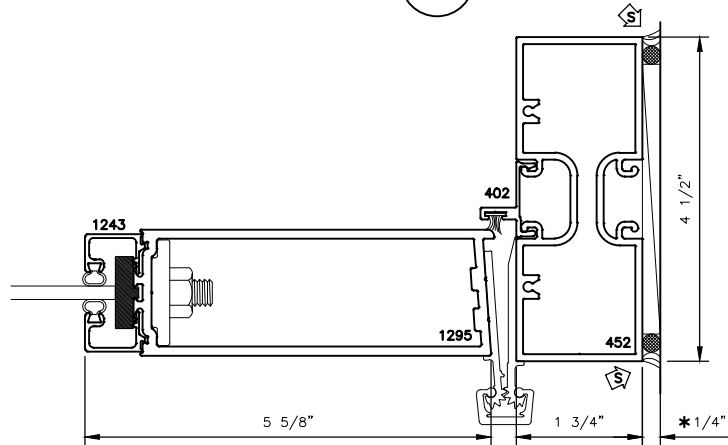
9



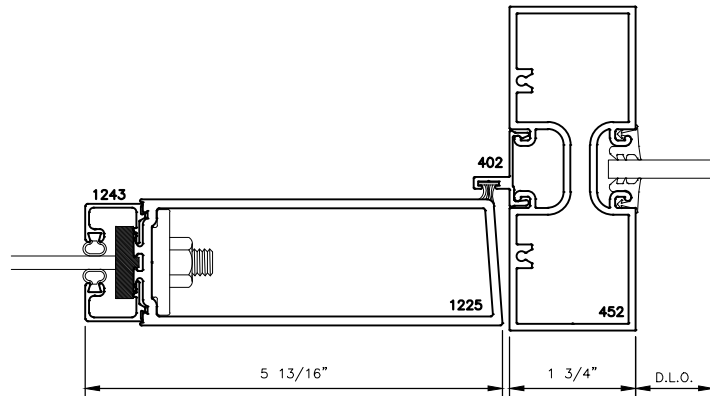
OPT.
9.1



10



OPT.
10.1



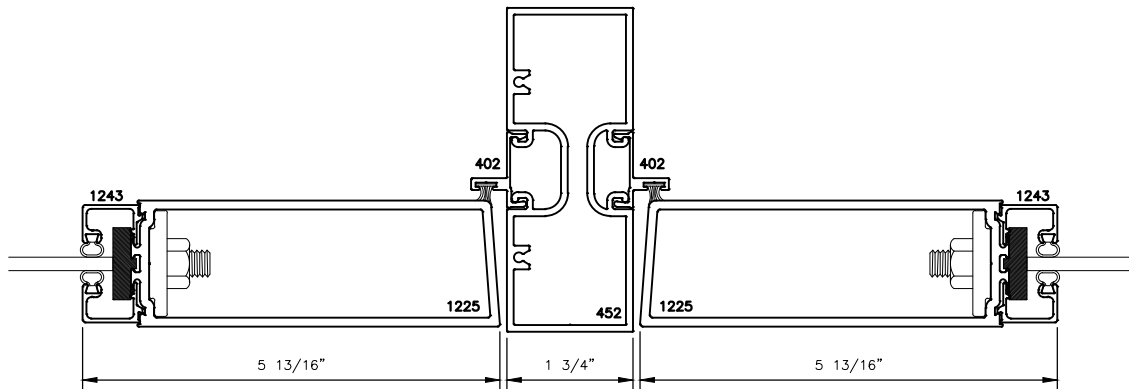
OPT.
10.2



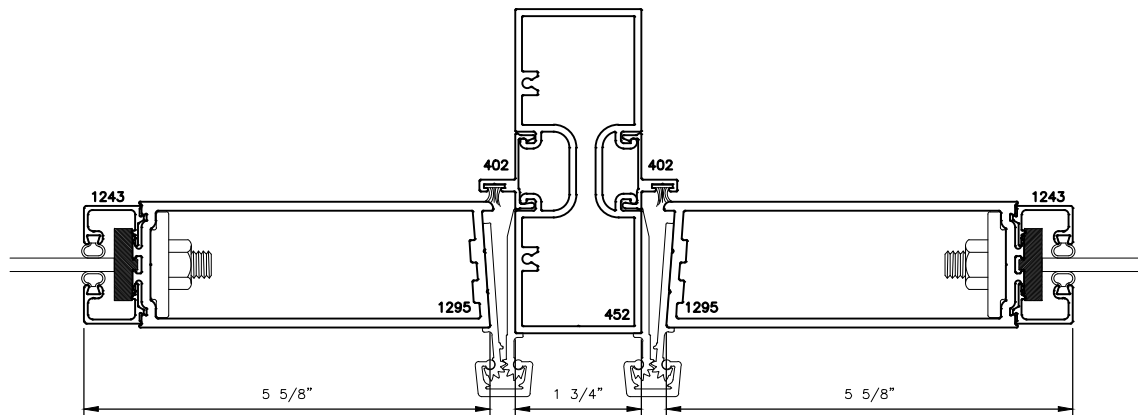
450

1 3/4" X 4 1/2" NON-THERMAL
STOREFRONT DOOR FRAME
WITH 150 SERIES (WIDE STILE)
DOOR STANDARD DETAILS

* MINIMUM RECOMMENDED FOR THERMAL ISOLATION.
INCREASE AS REQUIRED TO COMPLY WITH SEALANT
MANUFACTURERS' INSTRUCTIONS



11



OPT.
11.1