



MANKO

WINDOW SYSTEMS INC.

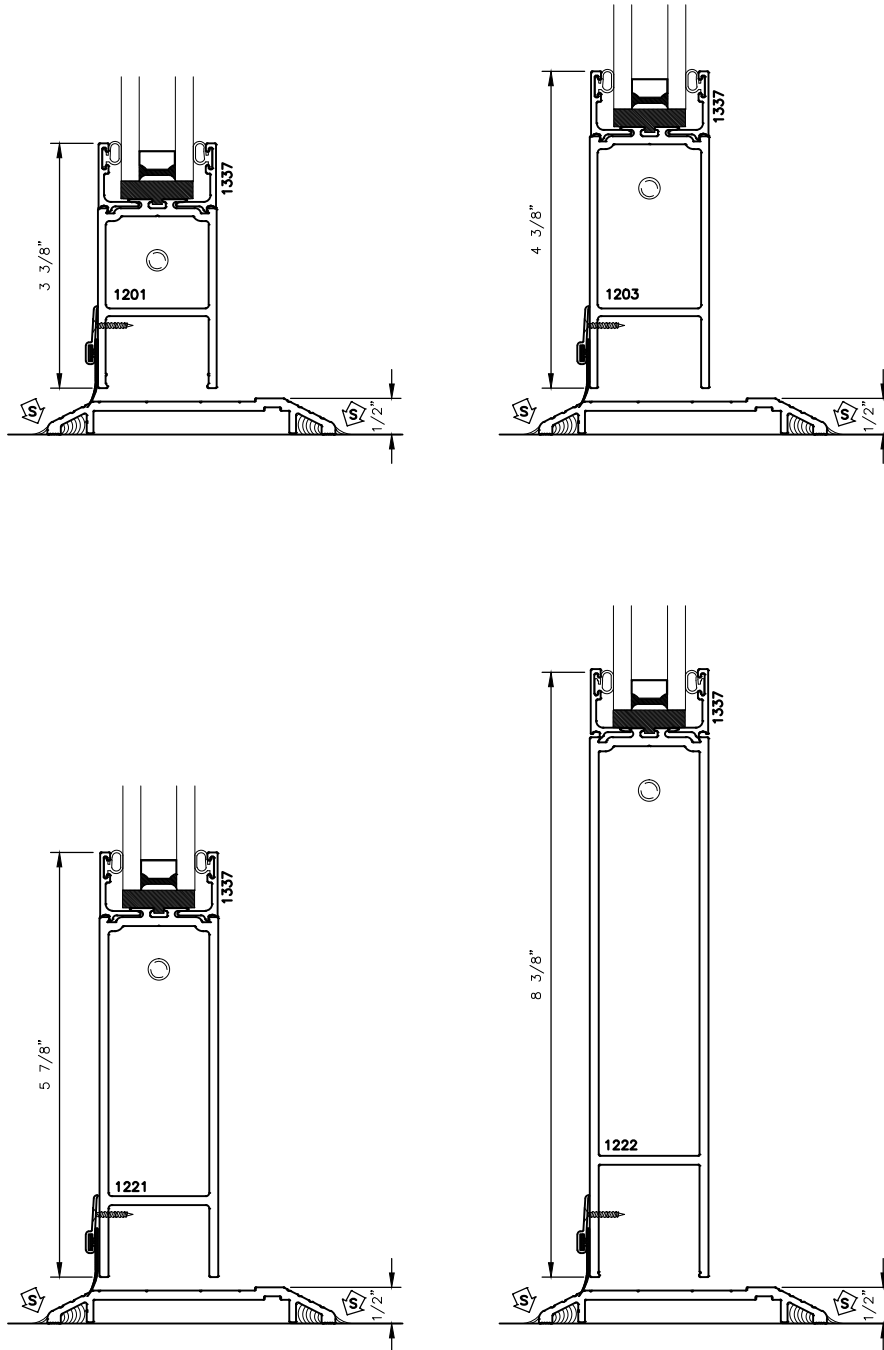
100 / 135 / 150 Series Accessory Details

Table of Contents

Bottom Rail Options.....	1-4
Mid Rail Options.....	5-6
Threshold Options.....	7



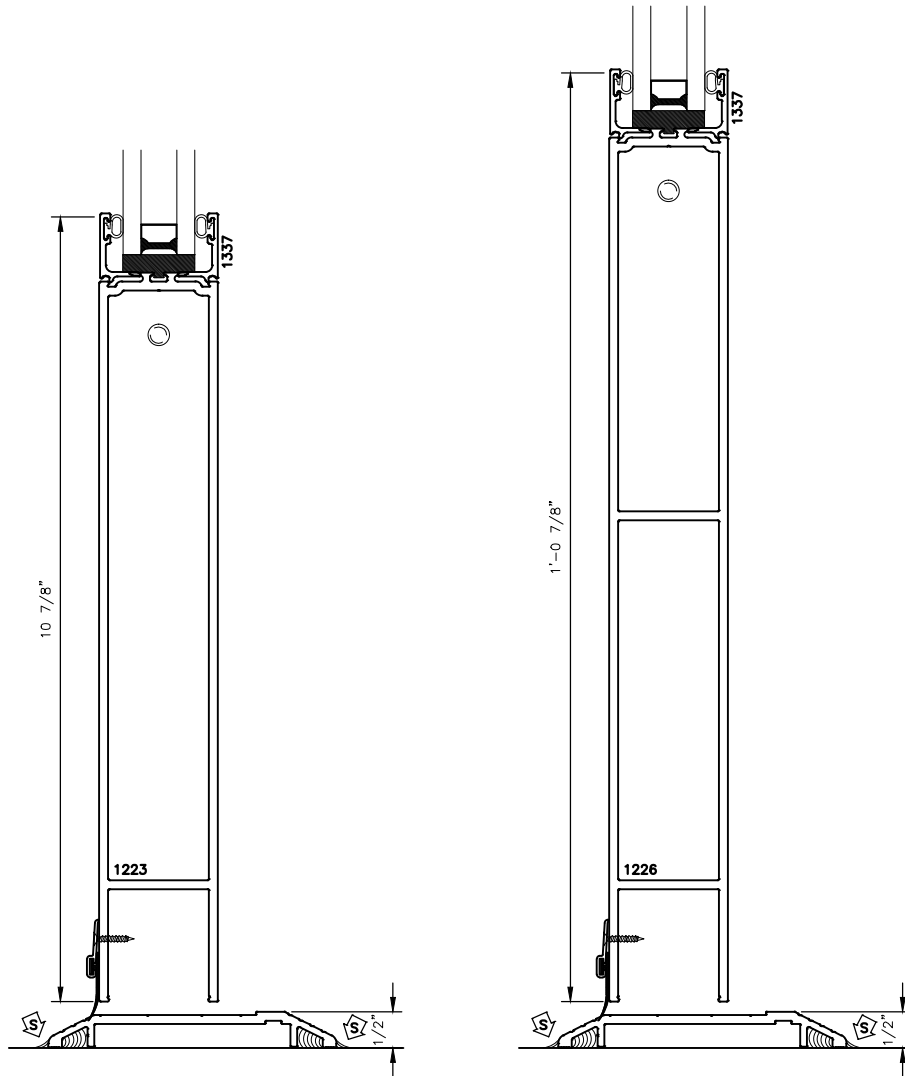
100/135/150 SERIES DOOR BOTTOM RAIL WITH 1" GLAZING OPTIONAL DETAILS



STANDARD SWEEP AND THRESHOLD SHOWN



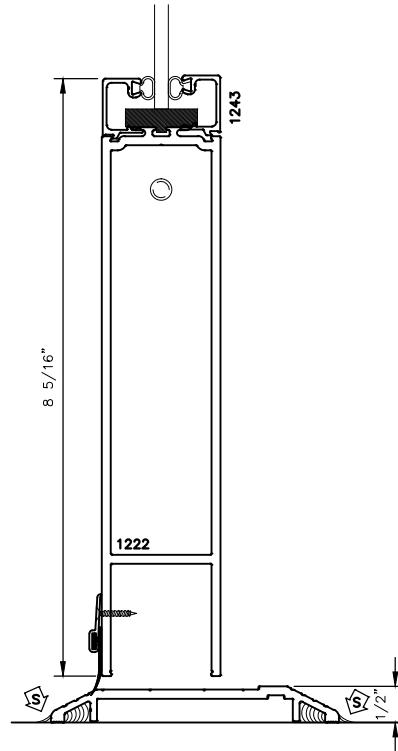
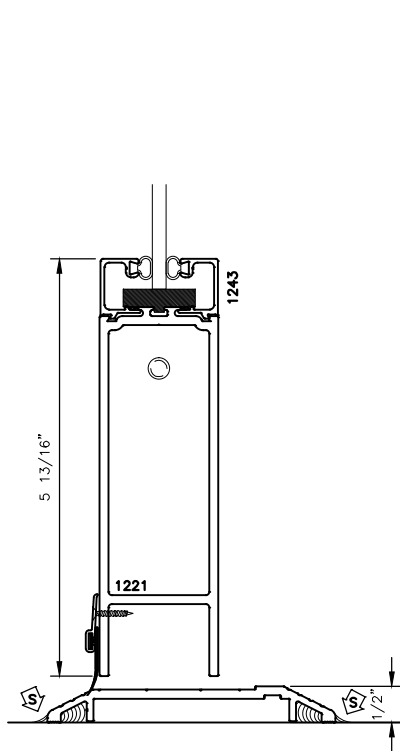
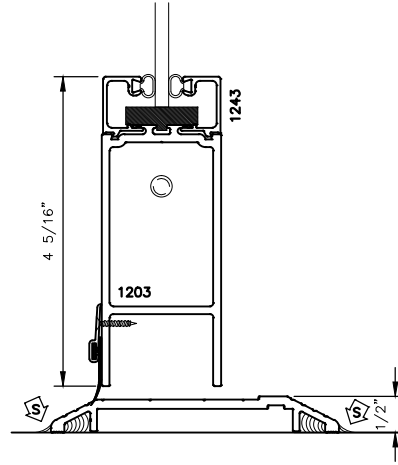
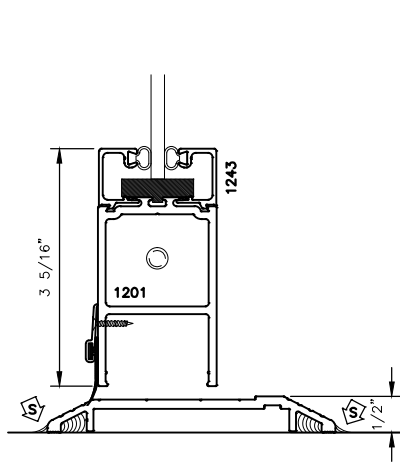
100/135/150 SERIES DOOR
BOTTOM RAIL WITH 1" GLAZING
OPTIONAL DETAILS



STANDARD SWEEP AND THRESHOLD SHOWN



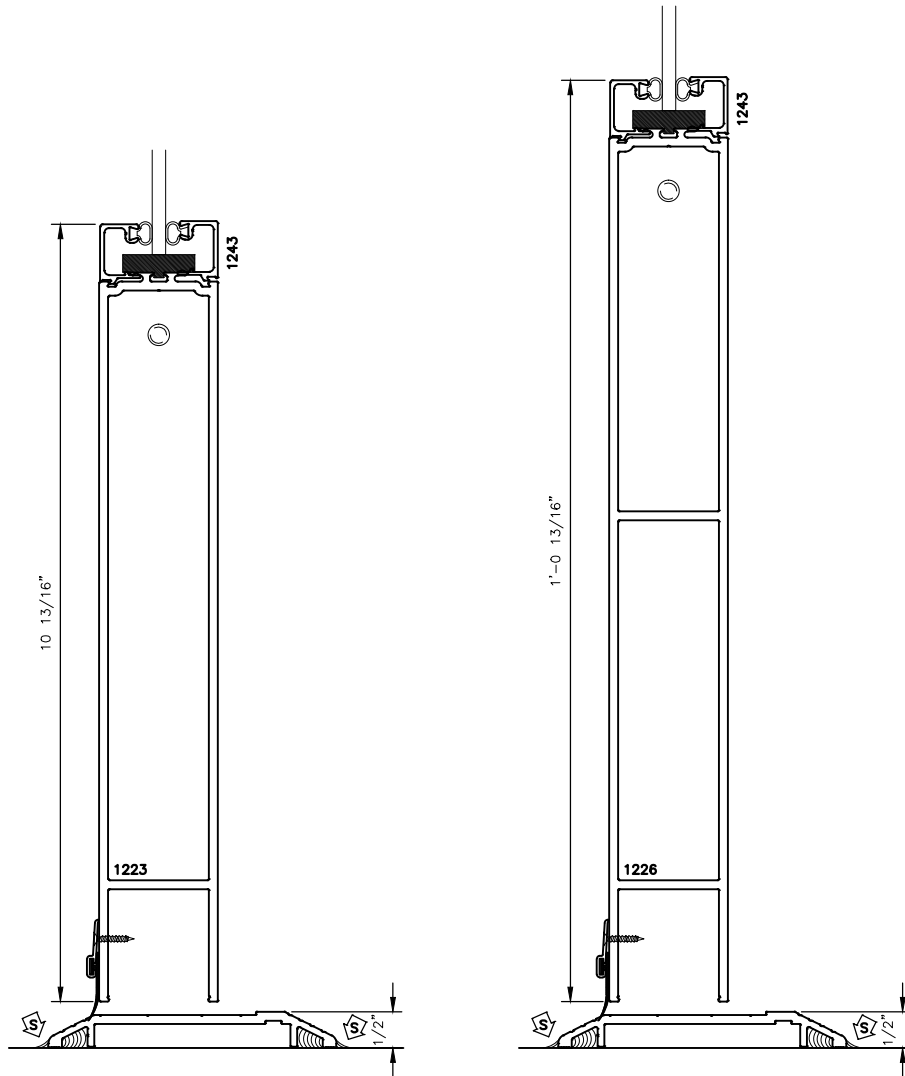
100/135/150 SERIES DOOR
BOTTOM RAIL WITH 1/4" GLAZING
OPTIONAL DETAILS



STANDARD SWEEP AND THRESHOLD SHOWN



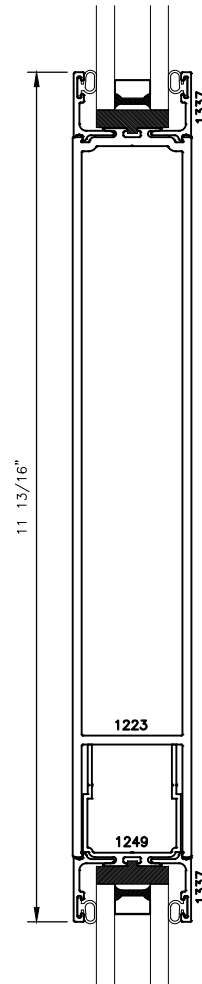
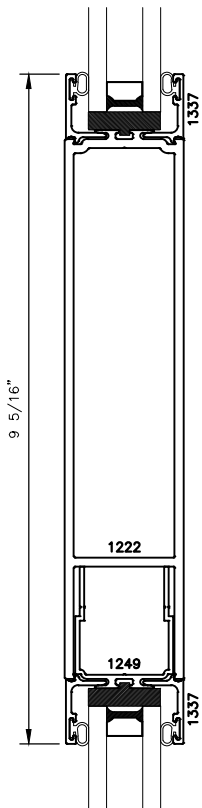
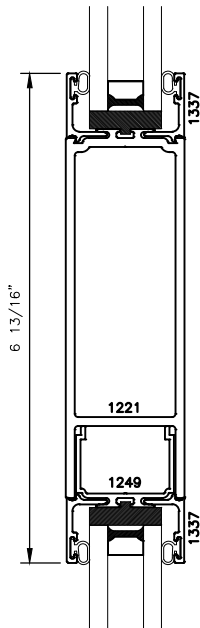
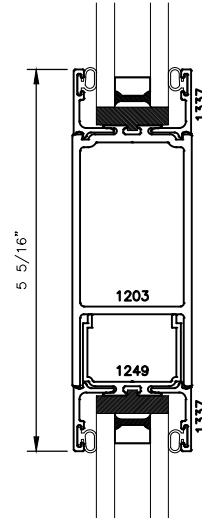
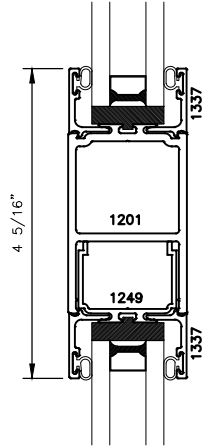
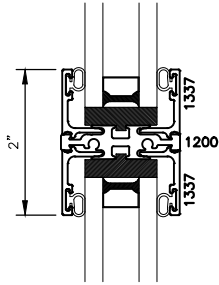
100/135/150 SERIES DOOR
BOTTOM RAIL WITH 1/4" GLAZING
OPTIONAL DETAILS



STANDARD SWEEP AND THRESHOLD SHOWN

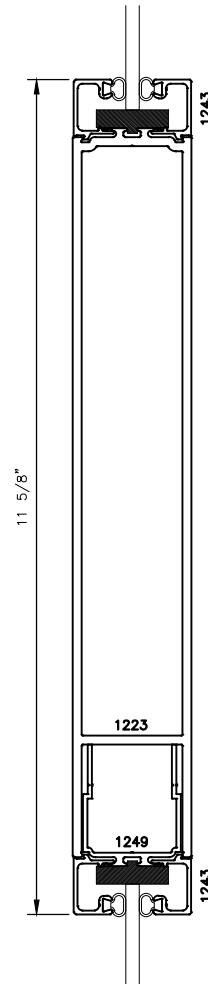
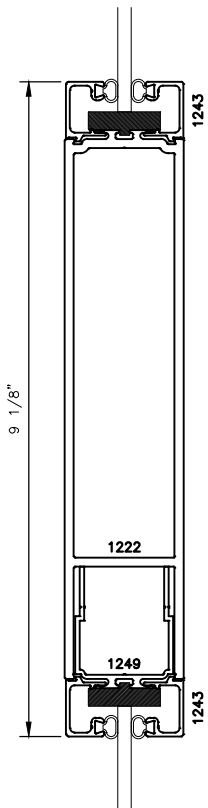
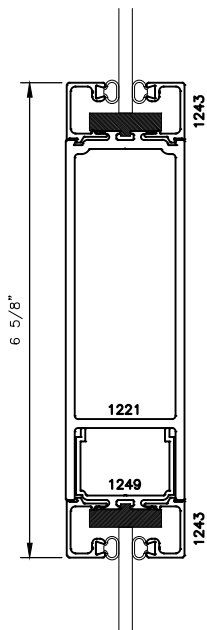
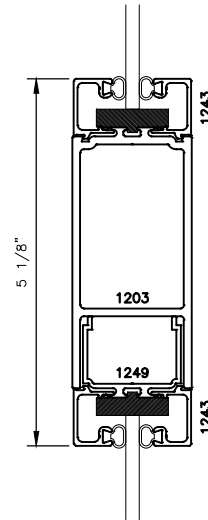
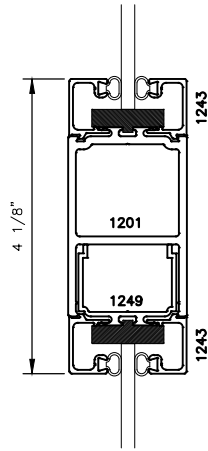
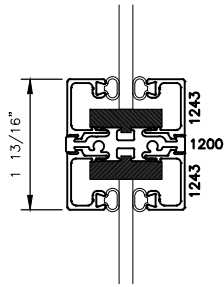


100/135/150 SERIES DOOR MID-RAIL WITH 1" GLAZING OPTIONAL DETAILS



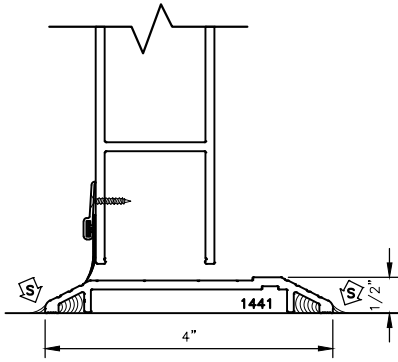


100/135/150 SERIES DOOR MID-RAIL WITH 1/4" GLAZING OPTIONAL DETAILS

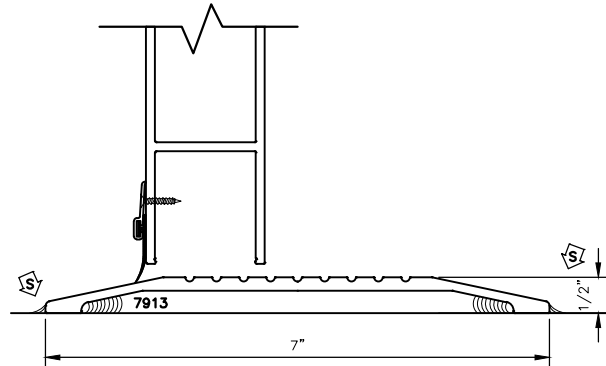




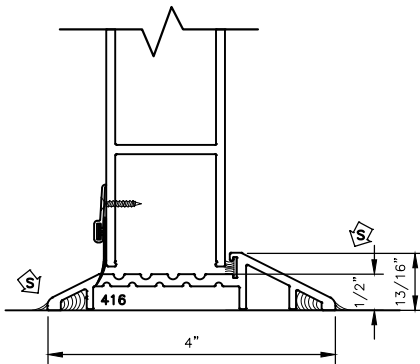
100/135/150 SERIES DOOR THRESHOLD OPTIONAL DETAILS



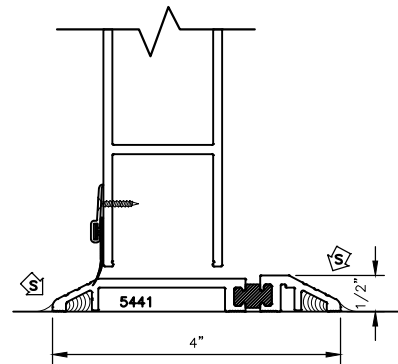
STANDARD 1/2" X 4" THRESHOLD



OPTIONAL 1/2" X 7" EXTENDED THRESHOLD



OPTIONAL 13/16" X 4" THRESHOLD WITH NOSE



OPTIONAL 1/2" X 4" THERMALLY BROKEN THRESHOLD

BOTTOM RAIL SIZE VARIES