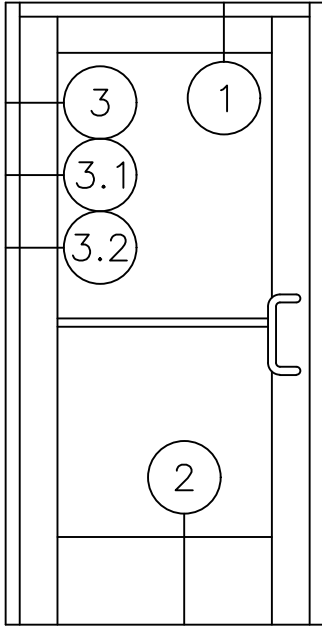


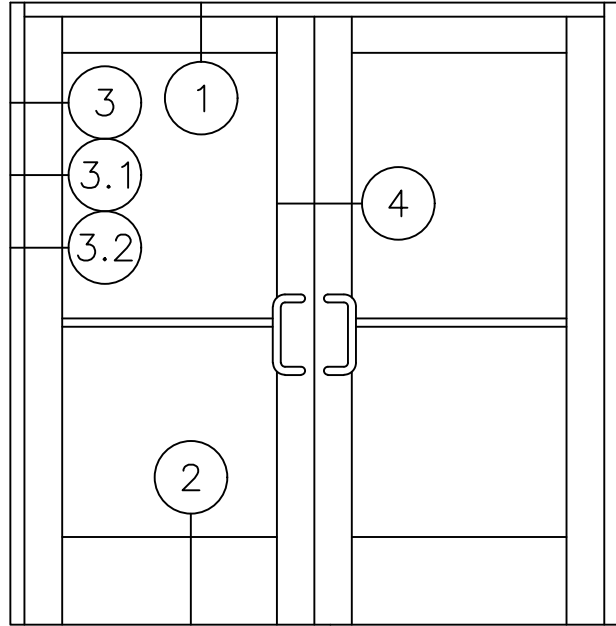


450H

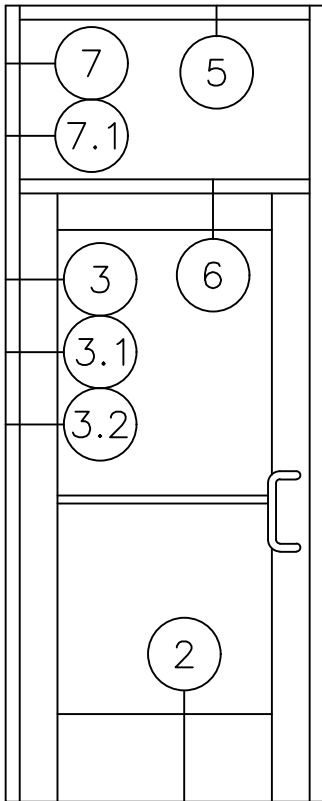
**1 3/4" X 4 1/2" NON-THERMAL
STOREFRONT DOOR FRAME
WITH 135H SERIES (MEDIUM STILE)
DOOR STANDARD DETAILS**



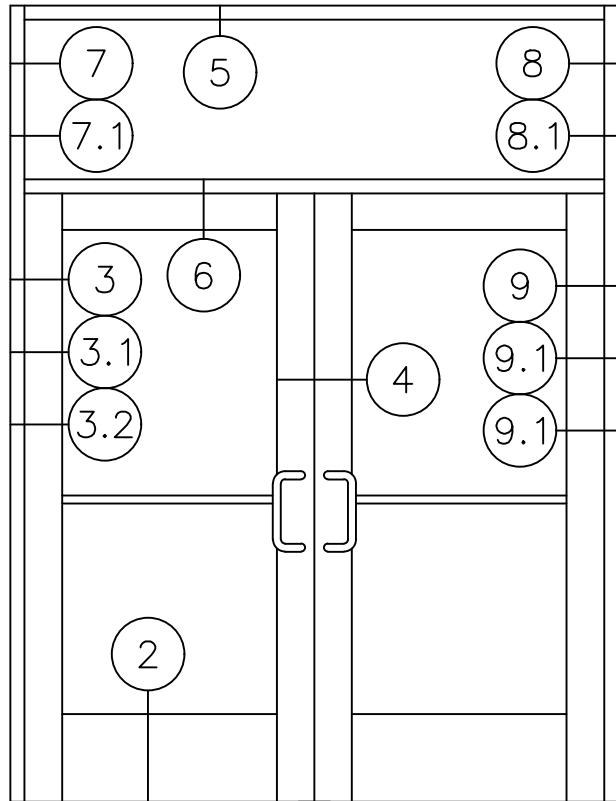
SINGLE DOOR
WITHOUT TRANSOM
STANDARD CONFIGURATION



PAIR DOORS
WITHOUT TRANSOM
STANDARD CONFIGURATION



SINGLE DOOR
WITH TRANSOM
STANDARD CONFIGURATION



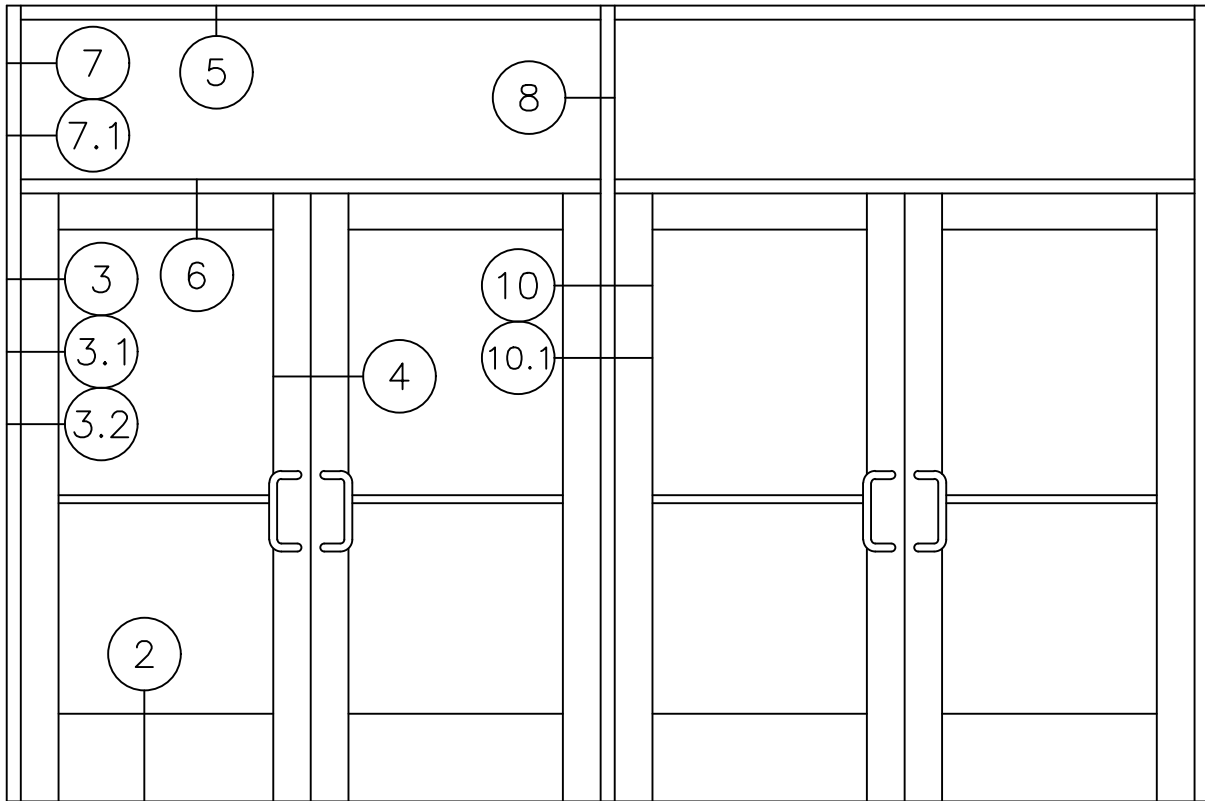
PAIR DOORS
WITH TRANSOM
STANDARD CONFIGURATION



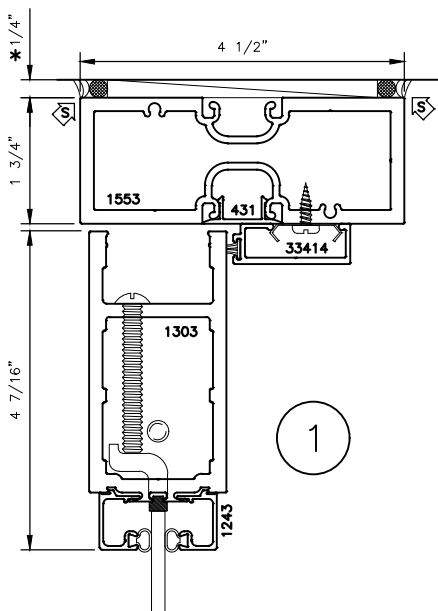
450H

1 3/4" X 4 1/2" NON-THERMAL STOREFRONT DOOR FRAME WITH 135H SERIES (MEDIUM STILE) DOOR STANDARD DETAILS

* MINIMUM RECOMMENDED FOR THERMAL ISOLATION.
INCREASE AS REQUIRED TO COMPLY WITH SEALANT
MANUFACTURERS' INSTRUCTIONS



MULTIPLE PAIR DOORS MULLED TOGETHER
WITH TRANSOM STANDARD CONFIGURATION

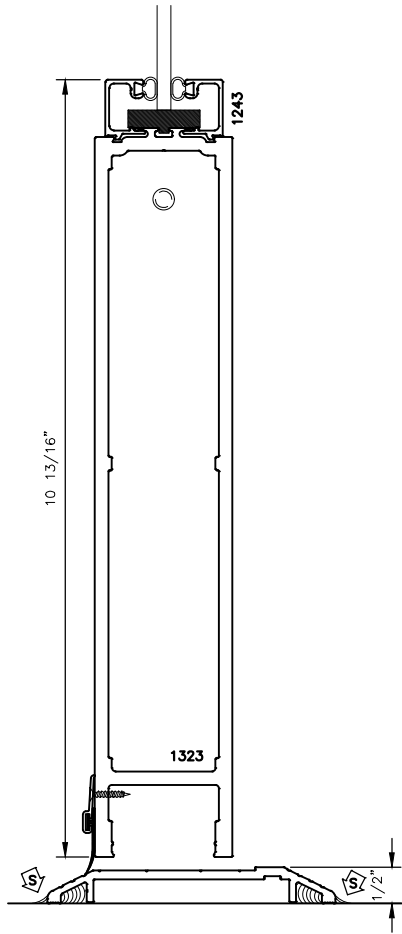




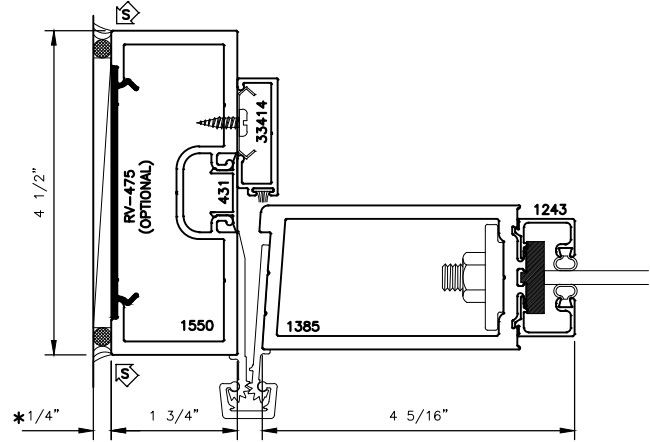
450H

1 3/4" X 4 1/2" NON-THERMAL
STOREFRONT DOOR FRAME
WITH 135H SERIES (MEDIUM STILE)
DOOR STANDARD DETAILS

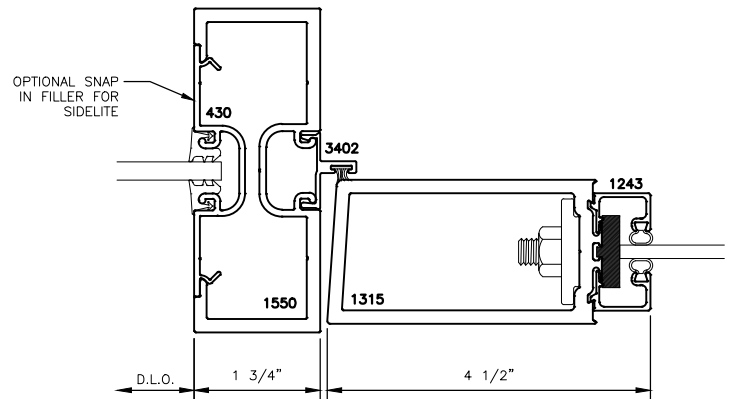
* MINIMUM RECOMMENDED FOR THERMAL ISOLATION.
INCREASE AS REQUIRED TO COMPLY WITH SEALANT
MANUFACTURERS' INSTRUCTIONS



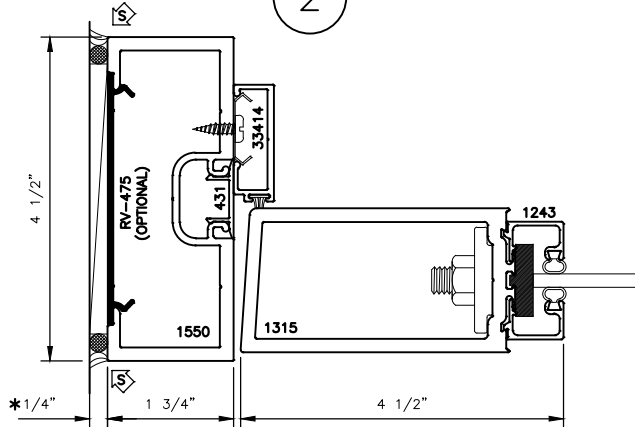
2



OPT.
3.1



OPT.
3.2



3

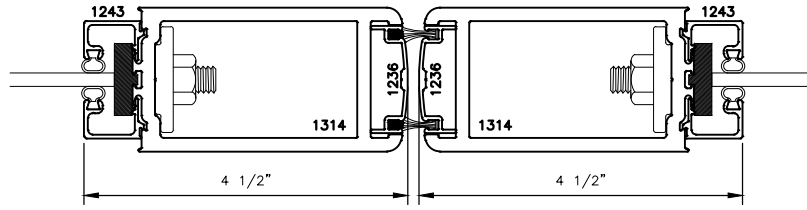
STANDARD SWEEP AND THRESHOLD SHOWN



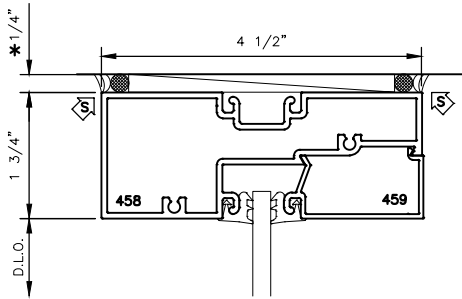
450H

1 3/4" X 4 1/2" NON-THERMAL
STOREFRONT DOOR FRAME
WITH 135H SERIES (MEDIUM STILE)
DOOR STANDARD DETAILS

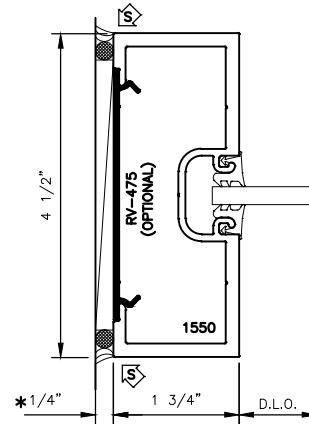
* MINIMUM RECOMMENDED FOR THERMAL ISOLATION.
INCREASE AS REQUIRED TO COMPLY WITH SEALANT
MANUFACTURERS' INSTRUCTIONS



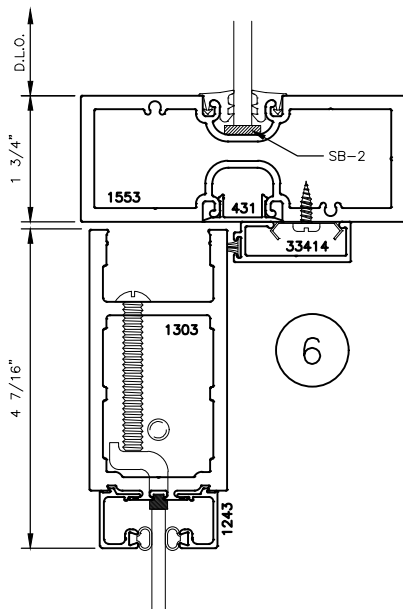
4



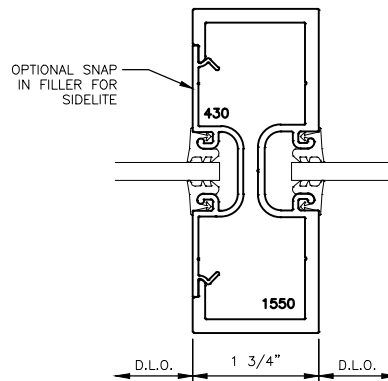
5



7



6



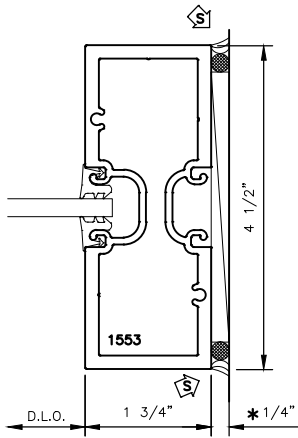
OPT.
7.1



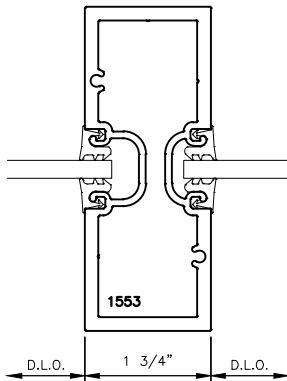
450H

1 3/4" X 4 1/2" NON-THERMAL
STOREFRONT DOOR FRAME
WITH 135H SERIES (MEDIUM STILE)
DOOR STANDARD DETAILS

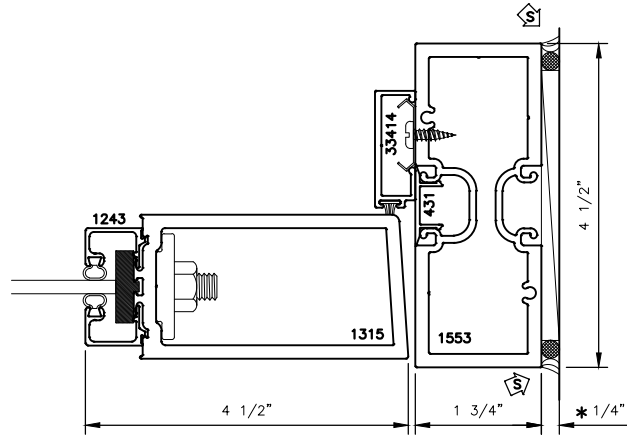
* MINIMUM RECOMMENDED FOR THERMAL ISOLATION.
INCREASE AS REQUIRED TO COMPLY WITH SEALANT
MANUFACTURERS' INSTRUCTIONS



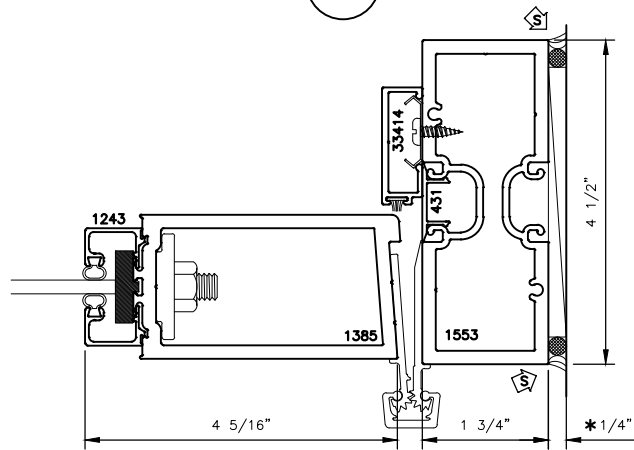
8



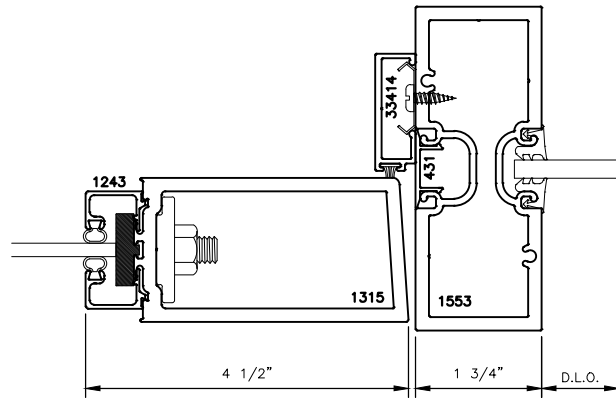
OPT.
8.1



9



OPT.
9.1



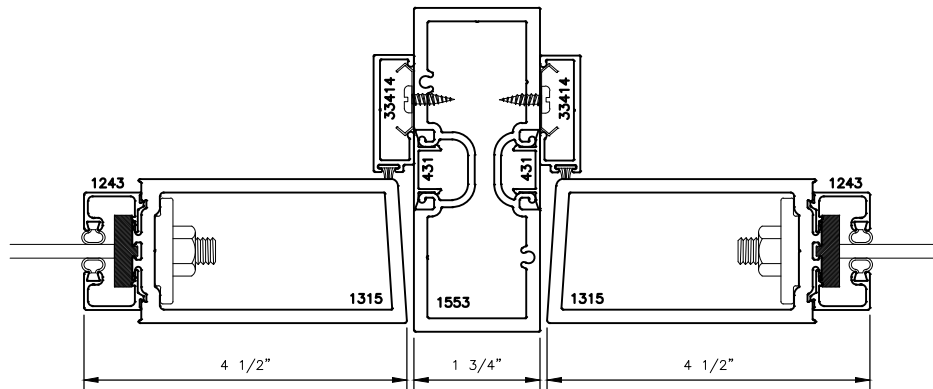
OPT.
9.2



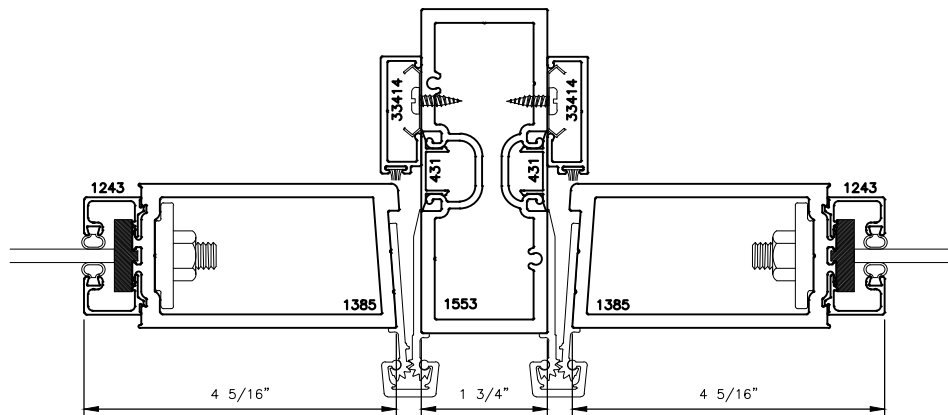
450H

1 3/4" X 4 1/2" NON-THERMAL
STOREFRONT DOOR FRAME
WITH 135H SERIES (MEDIUM STILE)
DOOR STANDARD DETAILS

* MINIMUM RECOMMENDED FOR THERMAL ISOLATION.
INCREASE AS REQUIRED TO COMPLY WITH SEALANT
MANUFACTURERS' INSTRUCTIONS



10



OPT.

10.1