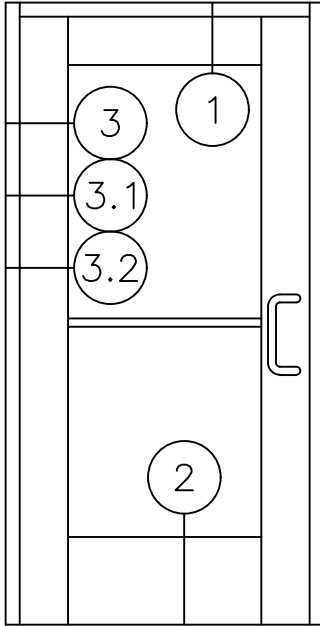


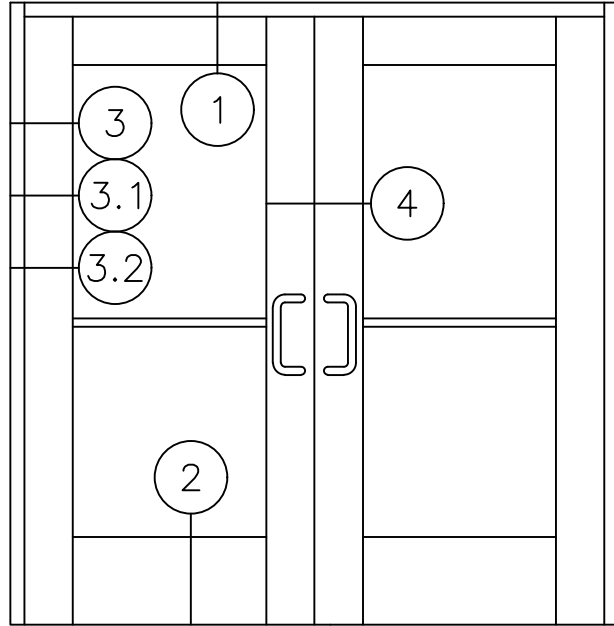


450H

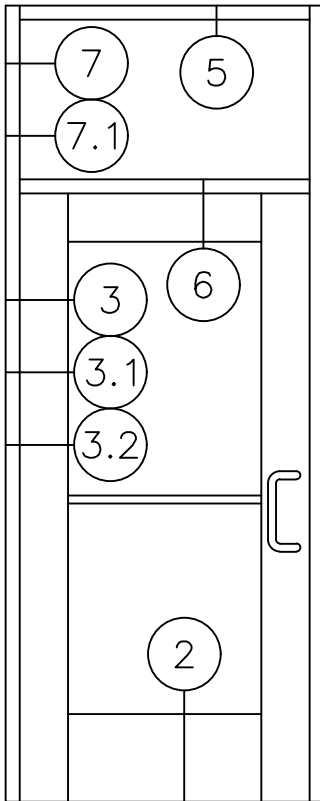
1 3/4" X 4 1/2" NON-THERMAL
STOREFRONT DOOR FRAME
WITH 150H SERIES (WIDE STILE)
DOOR STANDARD DETAILS



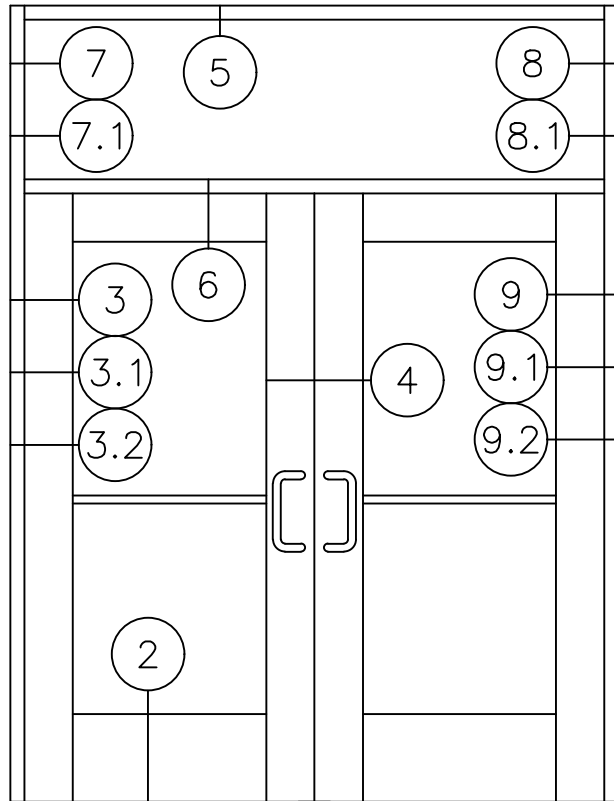
SINGLE DOOR
WITHOUT TRANSOM
STANDARD CONFIGURATION



PAIR DOORS
WITHOUT TRANSOM
STANDARD CONFIGURATION



SINGLE DOOR
WITH TRANSOM
STANDARD CONFIGURATION



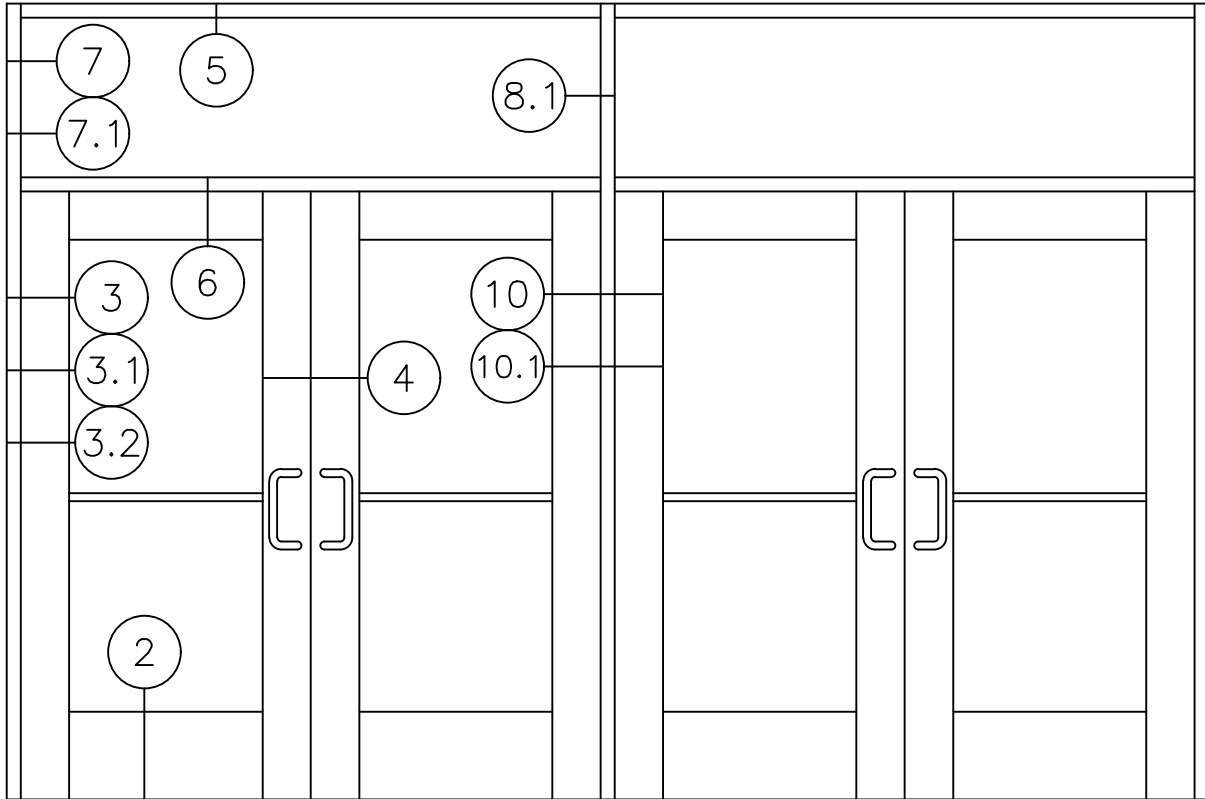
PAIR DOORS
WITH TRANSOM
STANDARD CONFIGURATION



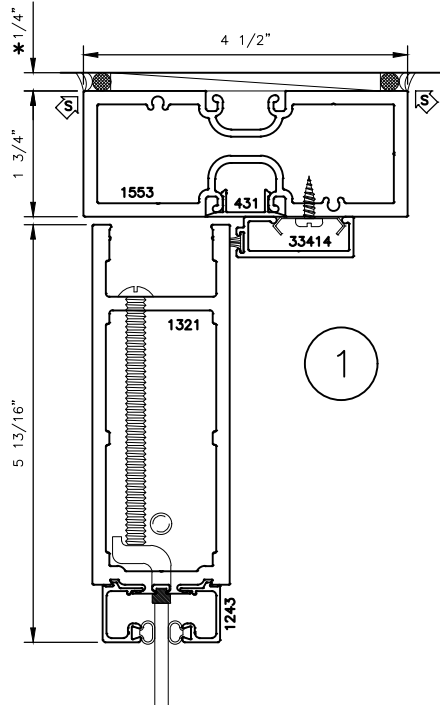
450H

1 3/4" X 4 1/2" NON-THERMAL
STOREFRONT DOOR FRAME
WITH 150H SERIES (WIDE STILE)
DOOR STANDARD DETAILS

* MINIMUM RECOMMENDED FOR THERMAL ISOLATION.
INCREASE AS REQUIRED TO COMPLY WITH SEALANT
MANUFACTURERS' INSTRUCTIONS



MULTIPLE PAIR DOORS MULLED TOGETHER
WITH TRANSOM STANDARD CONFIGURATION

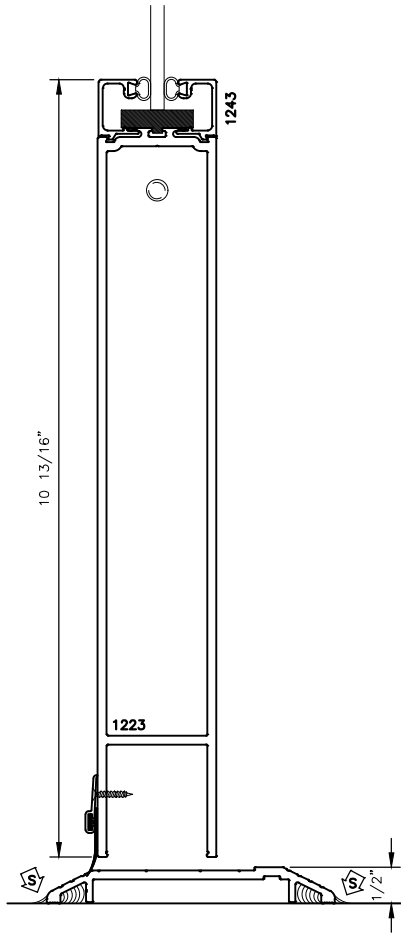




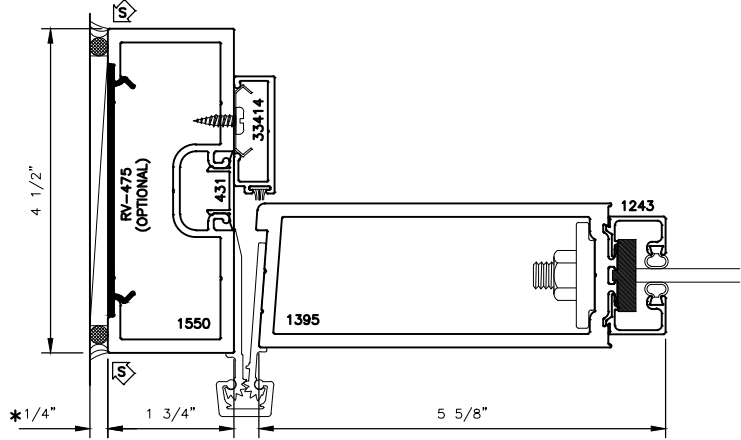
450H

1 3/4" X 4 1/2" NON-THERMAL
STOREFRONT DOOR FRAME
WITH 150H SERIES (WIDE STILE)
DOOR STANDARD DETAILS

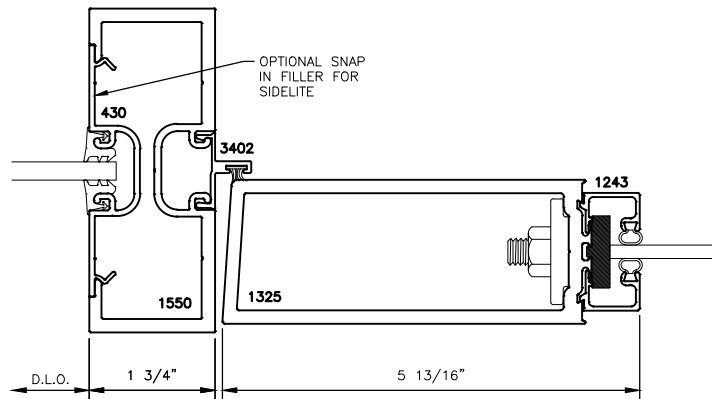
* MINIMUM RECOMMENDED FOR THERMAL ISOLATION.
INCREASE AS REQUIRED TO COMPLY WITH SEALANT
MANUFACTURERS' INSTRUCTIONS



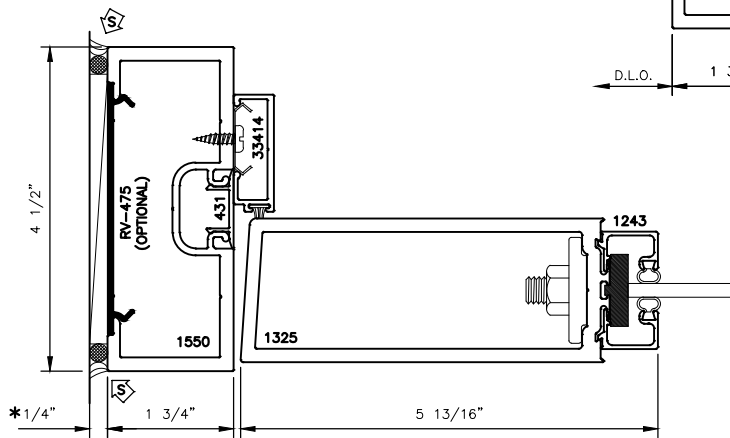
2



OPT.
3.1



OPT.
3.2



3

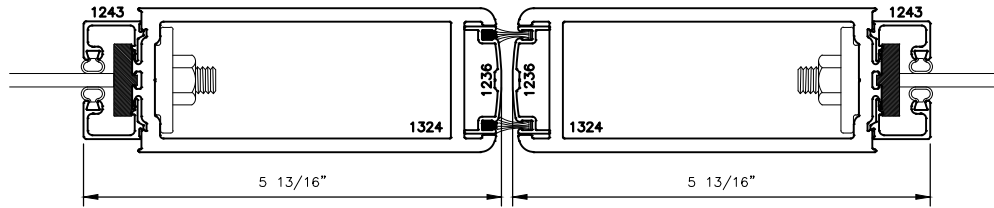
STANDARD SWEEP AND THRESHOLD SHOWN



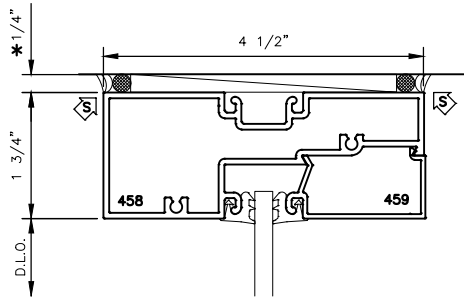
450H

1 3/4" X 4 1/2" NON-THERMAL
STOREFRONT DOOR FRAME
WITH 150H SERIES (WIDE STILE)
DOOR STANDARD DETAILS

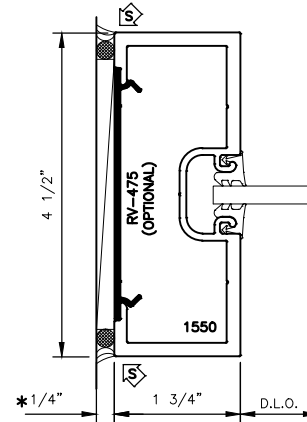
* MINIMUM RECOMMENDED FOR THERMAL ISOLATION.
INCREASE AS REQUIRED TO COMPLY WITH SEALANT
MANUFACTURERS' INSTRUCTIONS



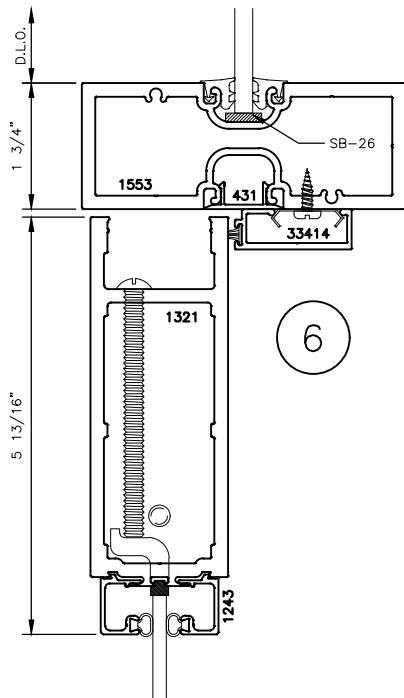
4



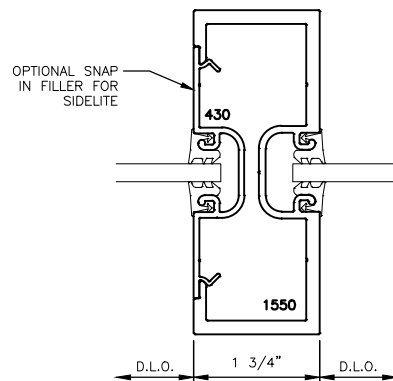
5



7



6



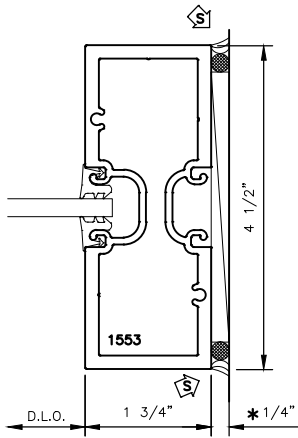
OPT.
7.1



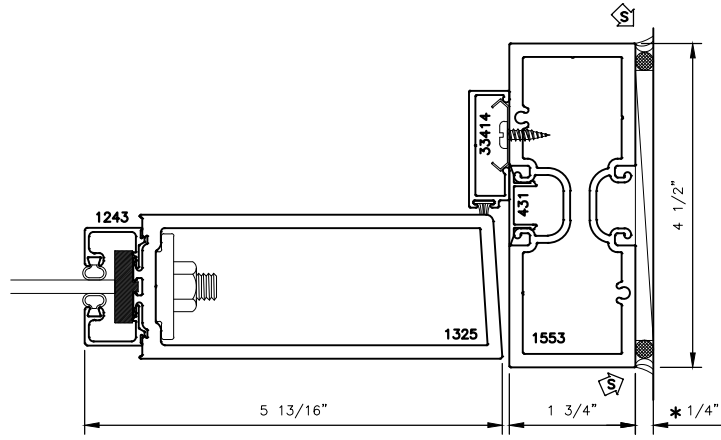
450H

1 3/4" X 4 1/2" NON-THERMAL
STOREFRONT DOOR FRAME
WITH 150H SERIES (WIDE STILE)
DOOR STANDARD DETAILS

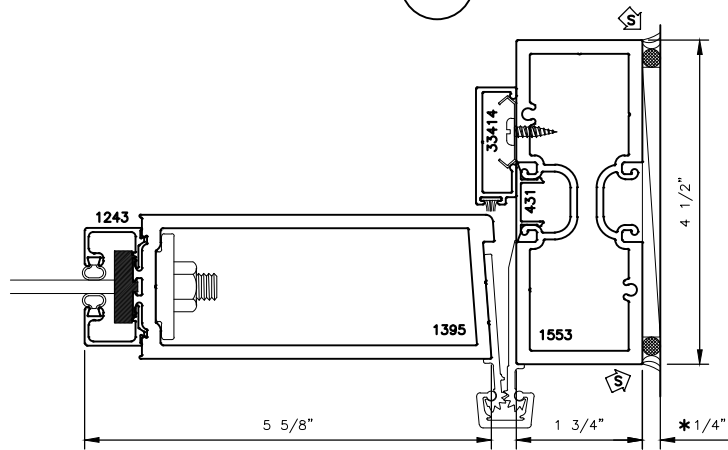
* MINIMUM RECOMMENDED FOR THERMAL ISOLATION.
INCREASE AS REQUIRED TO COMPLY WITH SEALANT
MANUFACTURERS' INSTRUCTIONS



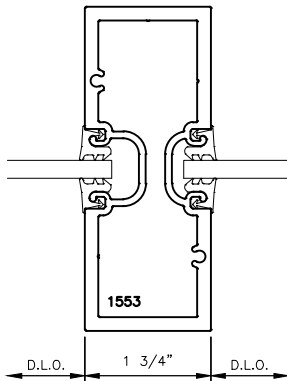
9



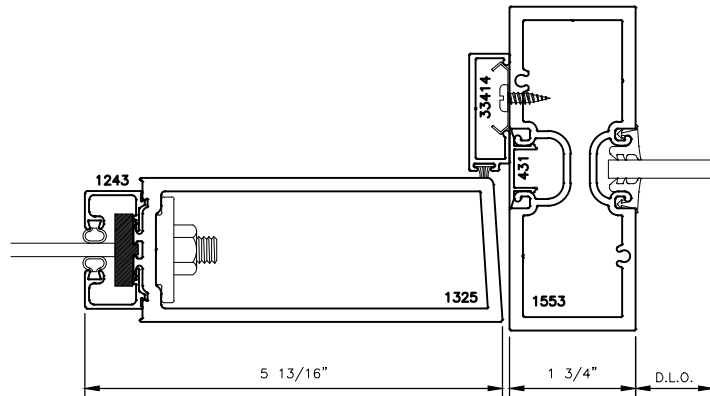
10



OPT.
10.1



OPT.
9.1



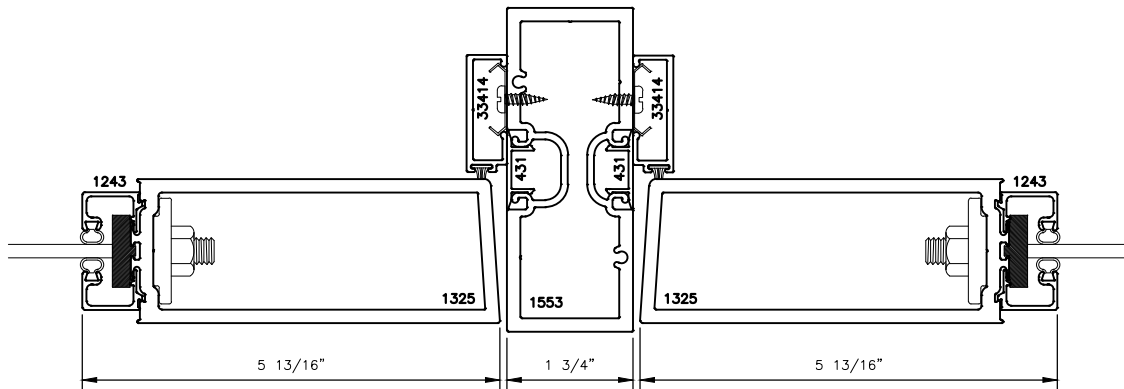
OPT.
10.2



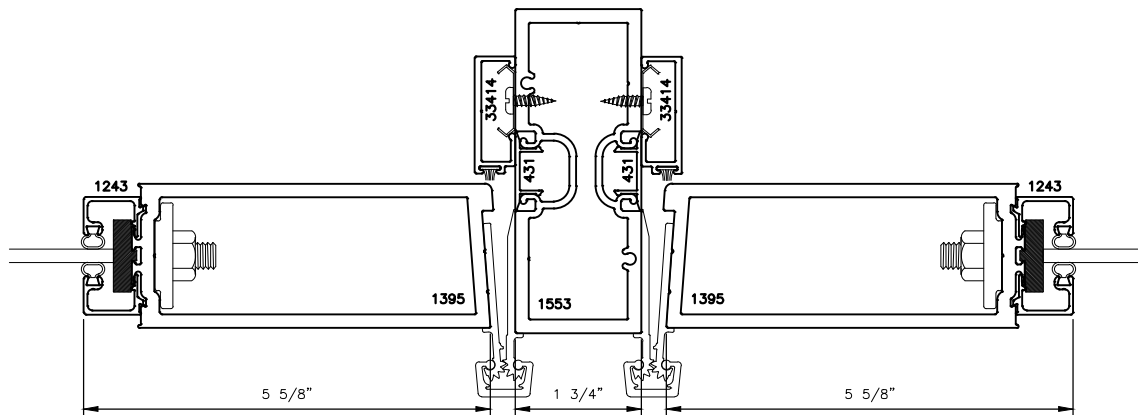
450H

1 3/4" X 4 1/2" NON-THERMAL
STOREFRONT DOOR FRAME
WITH 150H SERIES (WIDE STILE)
DOOR STANDARD DETAILS

* MINIMUM RECOMMENDED FOR THERMAL ISOLATION.
INCREASE AS REQUIRED TO COMPLY WITH SEALANT
MANUFACTURERS' INSTRUCTIONS



11



OPT.

11.1