



MANKO

WINDOW SYSTEMS INC.

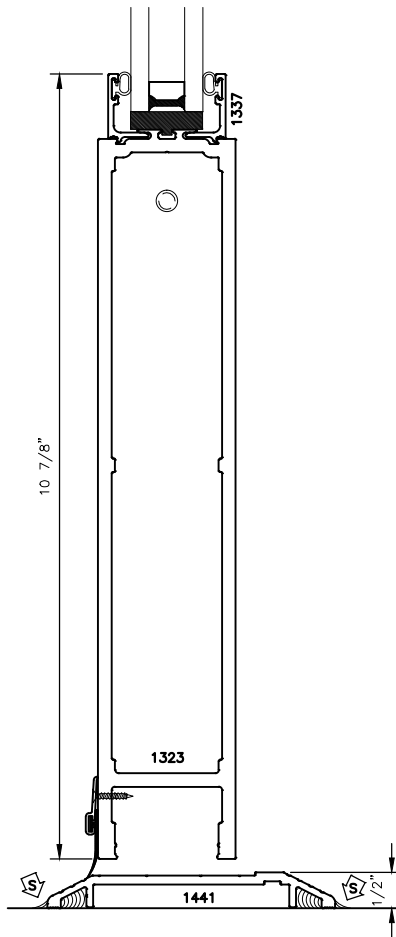
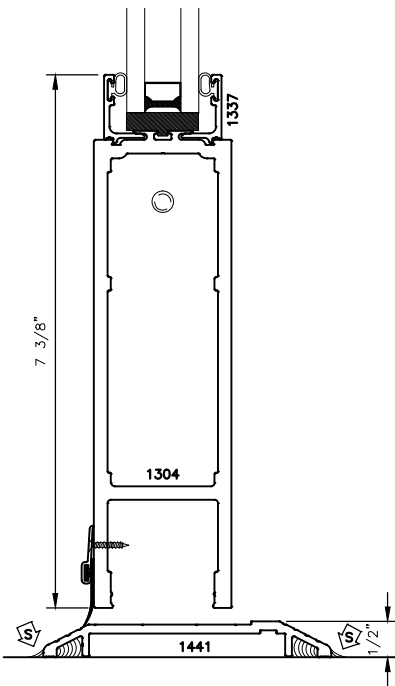
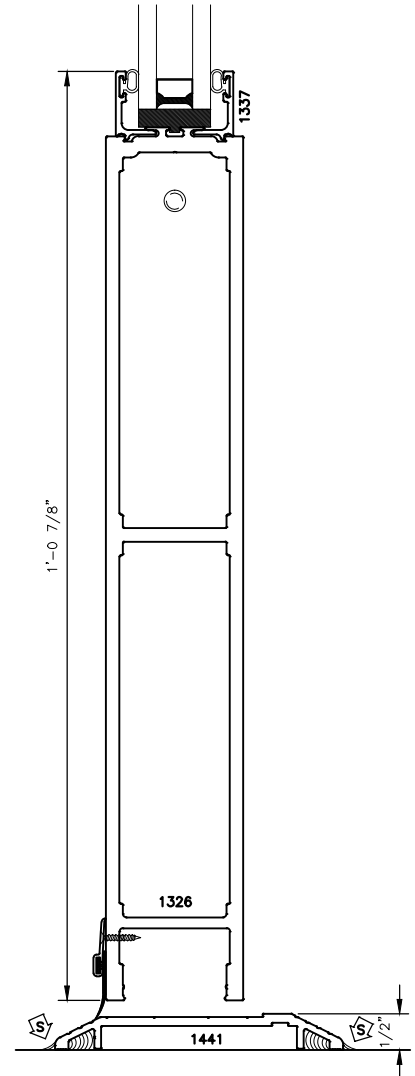
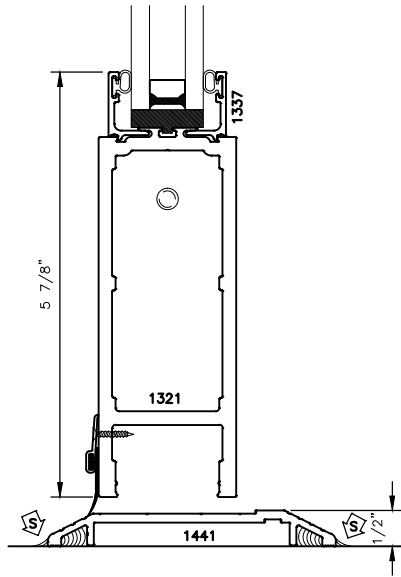
135H / 150H Series Accessory Details

Table of Contents

Bottom Rail Options.....	1-2
Mid Rail Options.....	3-4
Threshold Options.....	5



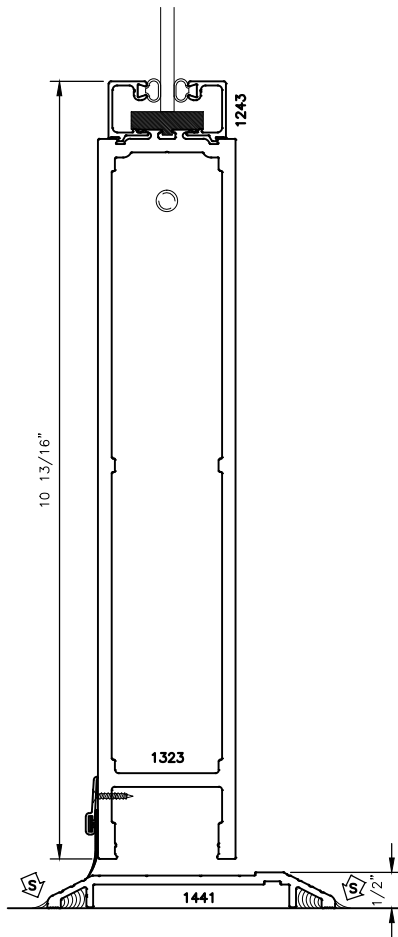
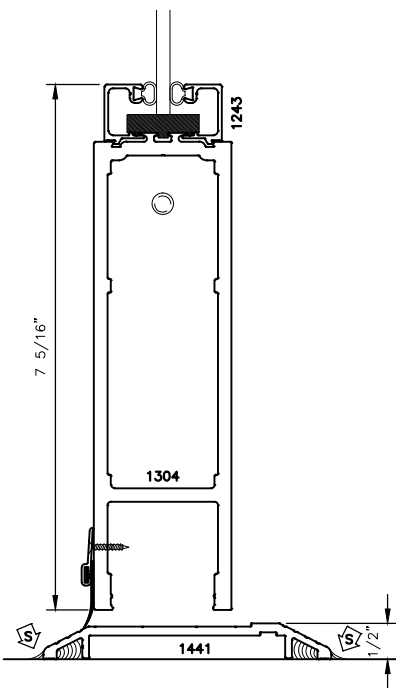
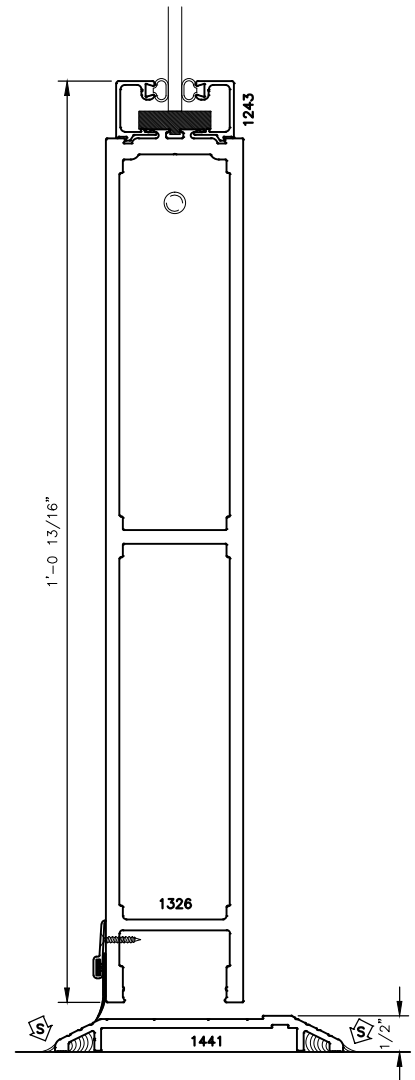
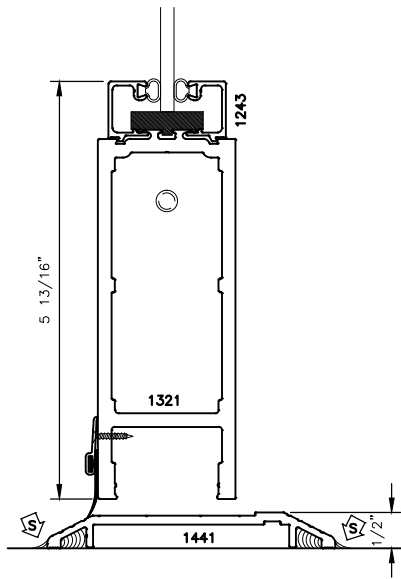
135H/150H SERIES DOOR BOTTOM RAIL WITH 1" GLAZING OPTIONAL DETAILS



STANDARD SWEEP AND THRESHOLD SHOWN



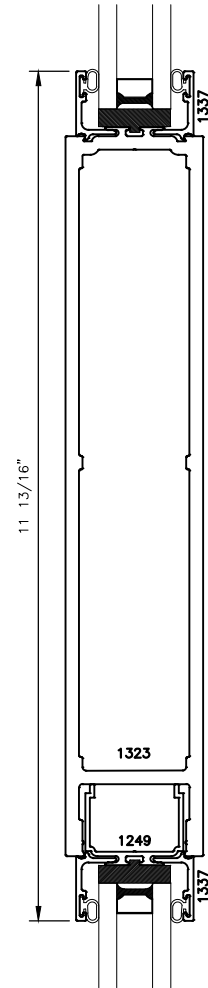
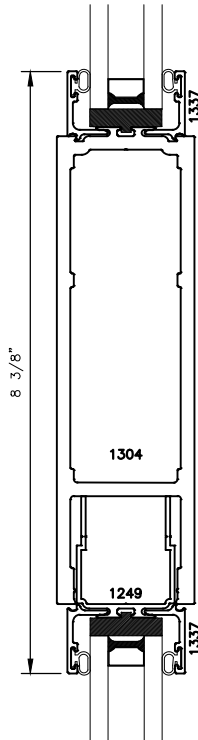
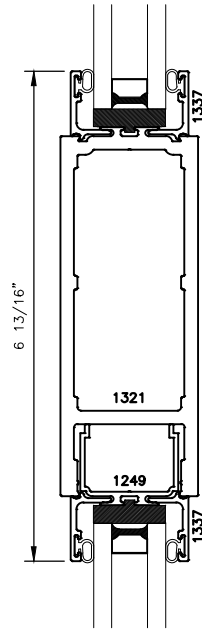
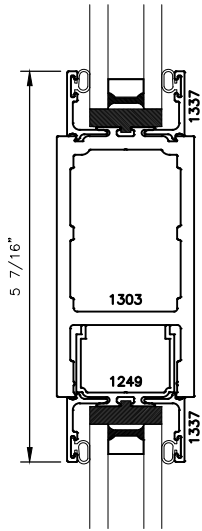
135H/150H SERIES DOOR BOTTOM RAIL WITH 1/4" GLAZING OPTIONAL DETAILS



STANDARD SWEEP AND THRESHOLD SHOWN

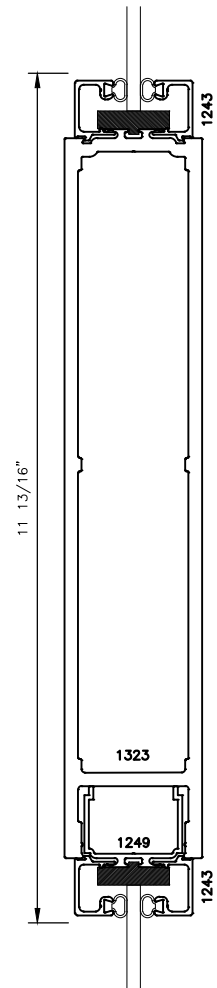
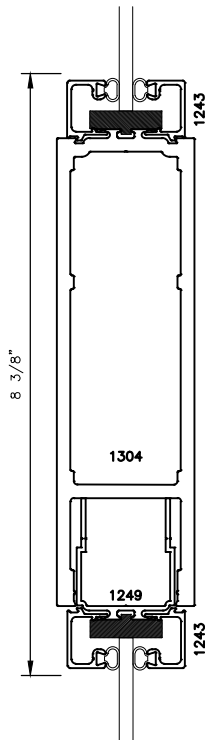
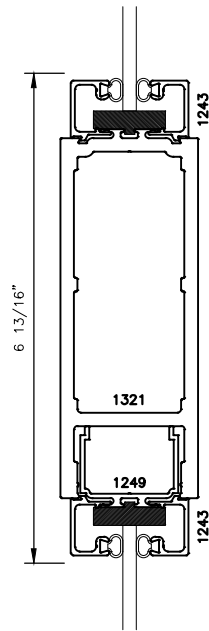
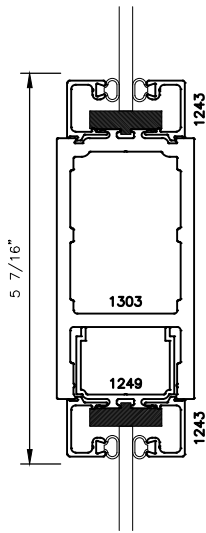


**135H/150H SERIES DOOR
MID-RAIL WITH 1" GLAZING
OPTIONAL DETAILS**



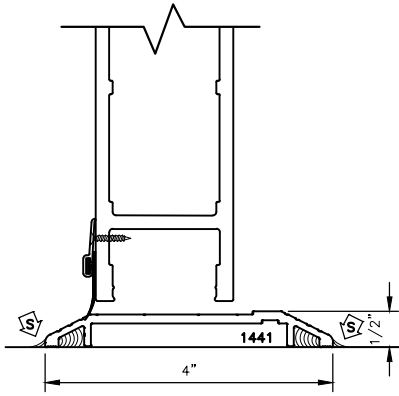


135H/150H SERIES DOOR MID-RAIL WITH 1/4" GLAZING OPTIONAL DETAILS

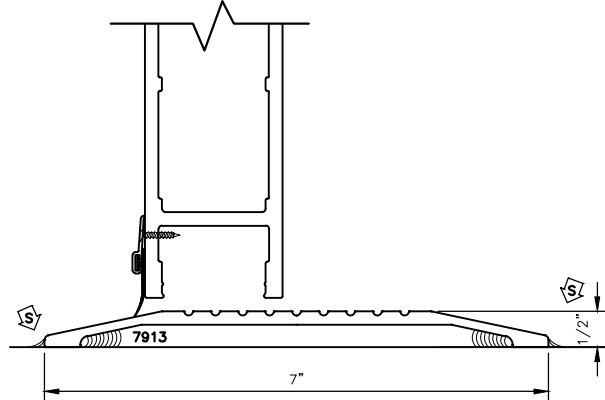




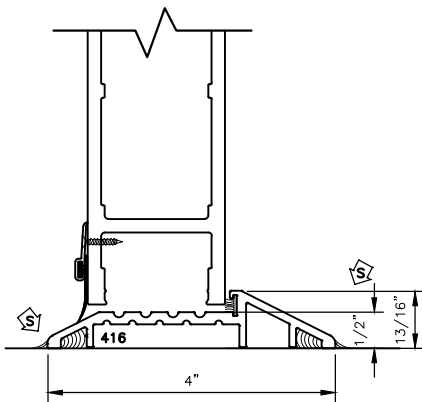
135H/150H SERIES DOOR THRESHOLD OPTIONAL DETAILS



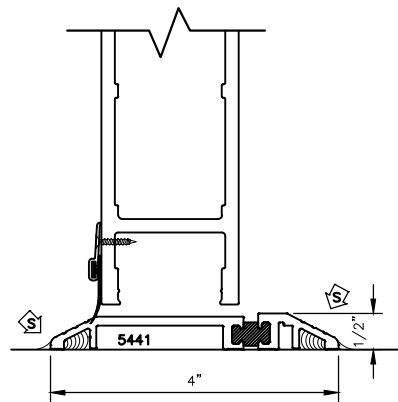
STANDARD 1/2" X 4" THRESHOLD



OPTIONAL 1/2" X 7" EXTENDED THRESHOLD



OPTIONAL 13/16" X 4" THRESHOLD WITH NOSE



OPTIONAL 1/2" X 4" THERMALLY BROKEN THRESHOLD

BOTTOM RAIL SIZE VARIES