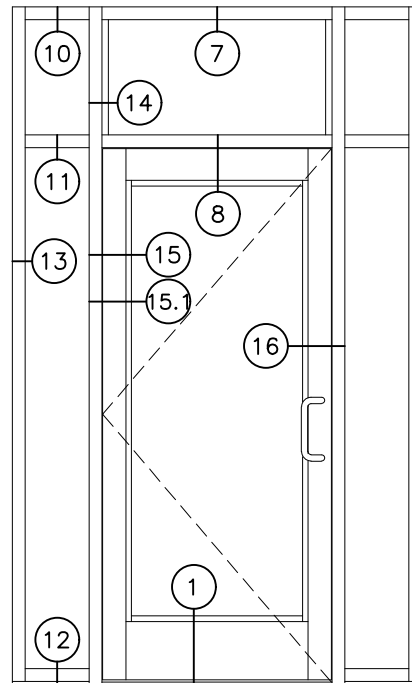
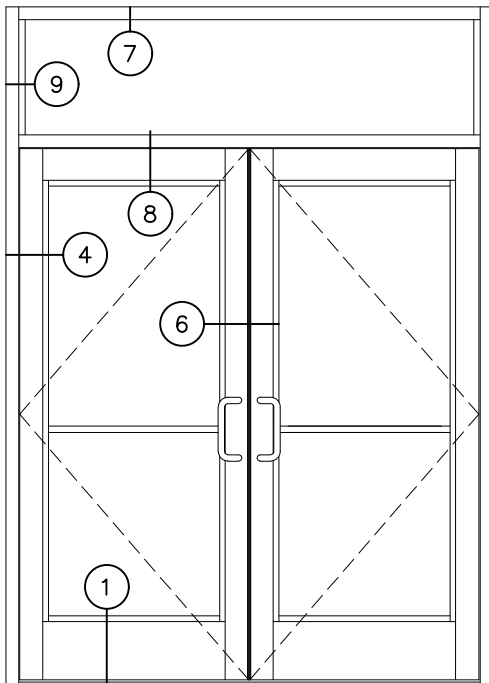
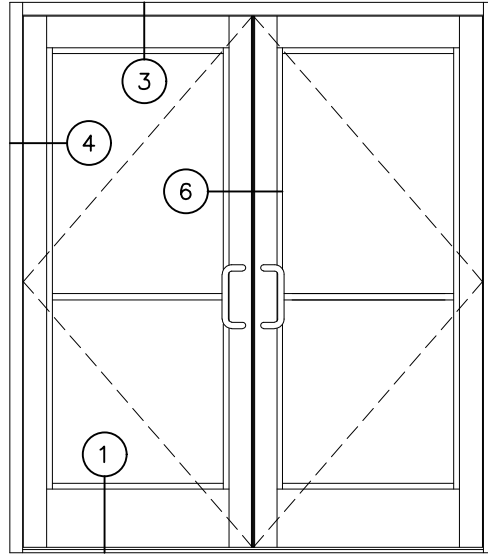
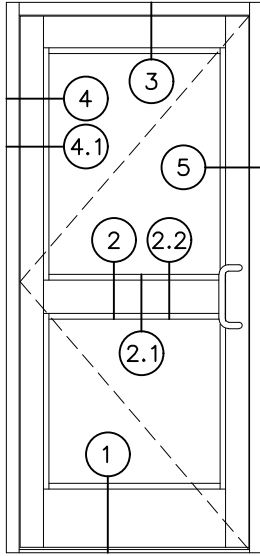


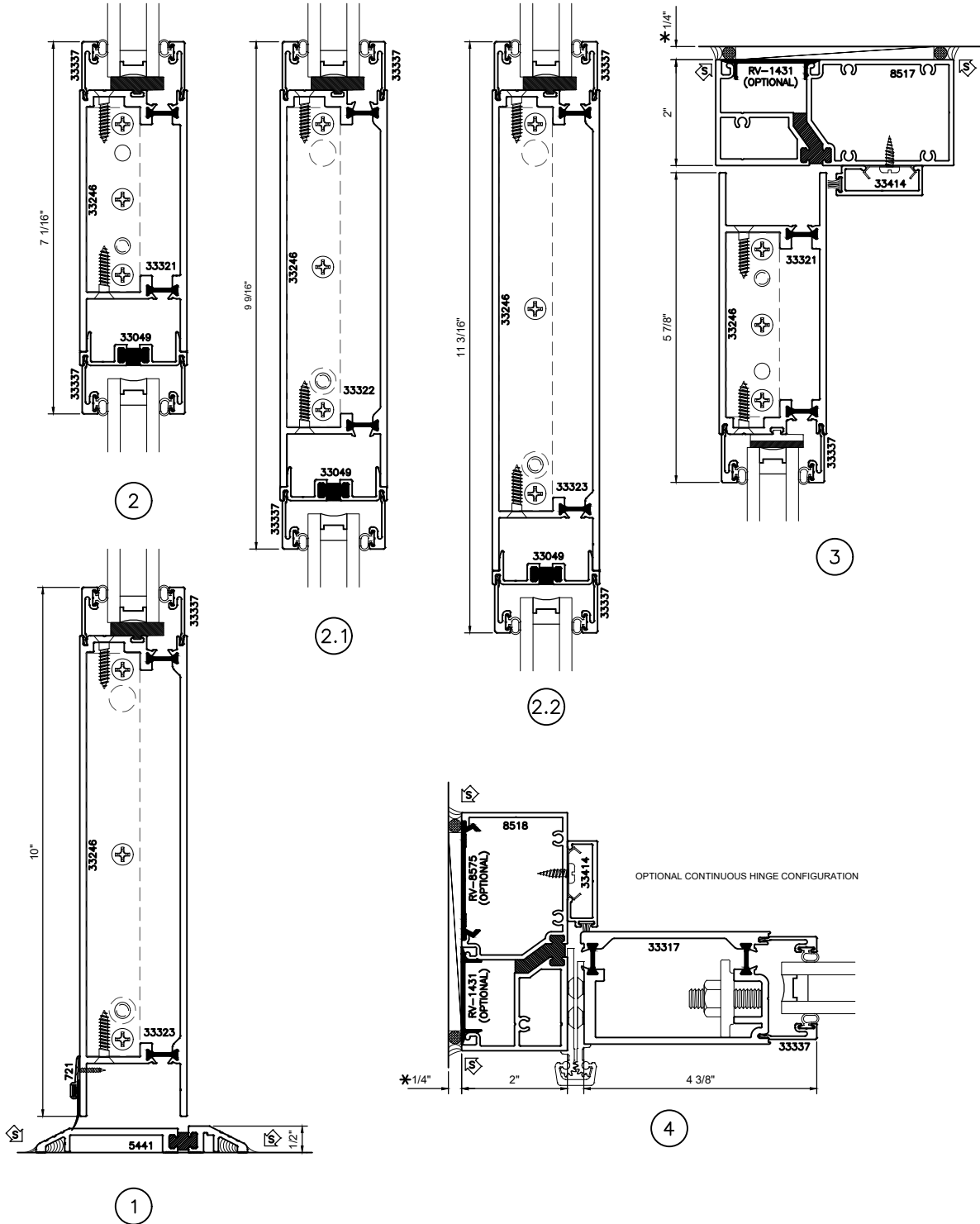


MANKO

**2" X 4 1/2" THERMALLY BROKEN
FRONT-SET DOOR FRAME
WITH 135i SERIES (MEDIUM STILE)
DOOR STANDARD DETAILS**



**2" X 4 1/2" THERMALLY BROKEN
FRONT-SET DOOR FRAME
WITH 135i SERIES (MEDIUM STILE)
DOOR STANDARD DETAILS**

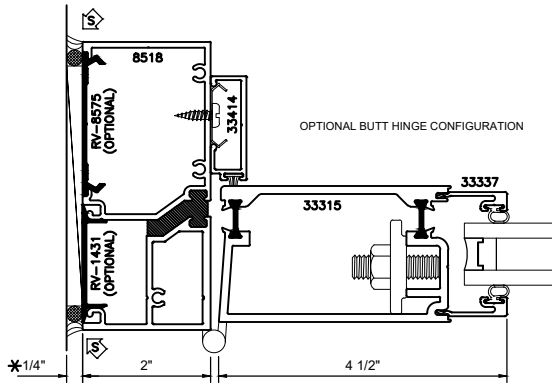


* MINIMUM RECOMMENDED FOR THERMAL ISOLATION.
INCREASE AS REQUIRED TO COMPLY WITH SEALANT
MANUFACTURERS' INSTRUCTIONS

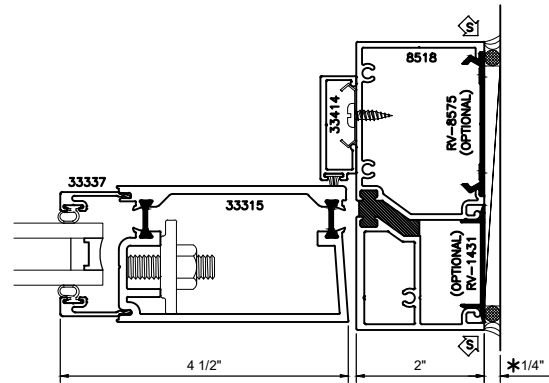


MANKO

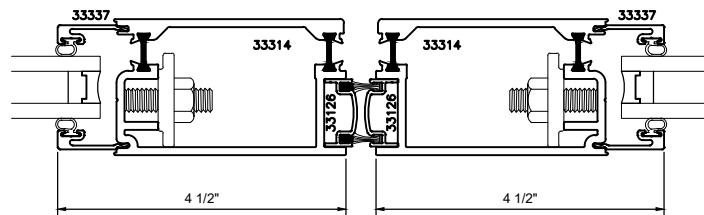
**2" X 4 1/2" THERMALLY BROKEN
FRONT-SET DOOR FRAME
WITH 135i SERIES (MEDIUM STILE)
DOOR STANDARD DETAILS**



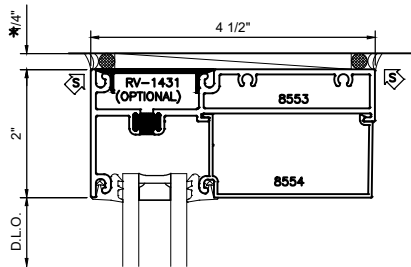
4.1



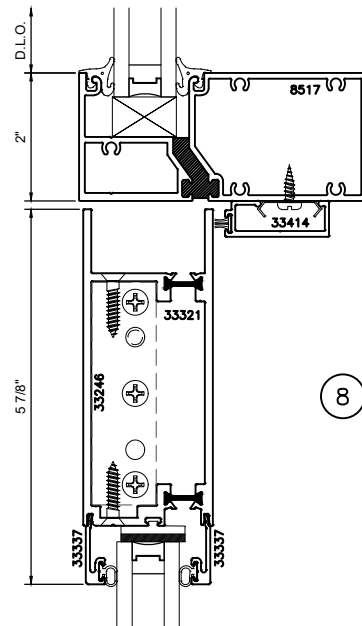
5



6



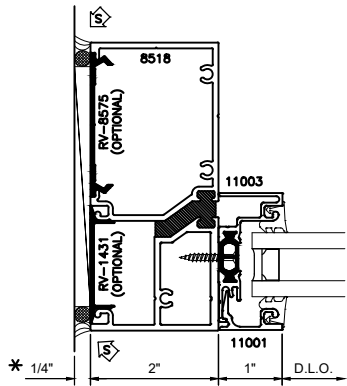
7



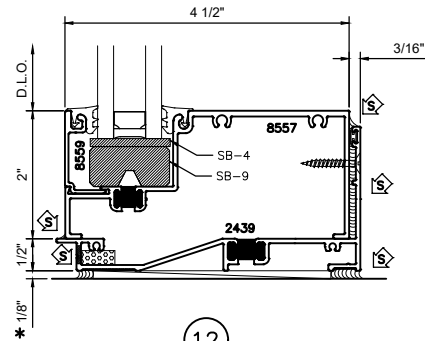
8

* MINIMUM RECOMMENDED FOR THERMAL ISOLATION.
INCREASE AS REQUIRED TO COMPLY WITH SEALANT
MANUFACTURERS' INSTRUCTIONS

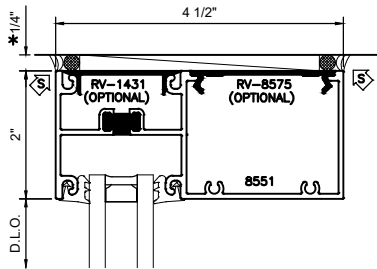
**2" X 4 1/2" THERMALLY BROKEN
FRONT-SET DOOR FRAME
WITH 135i SERIES (MEDIUM STILE)
DOOR STANDARD DETAILS**



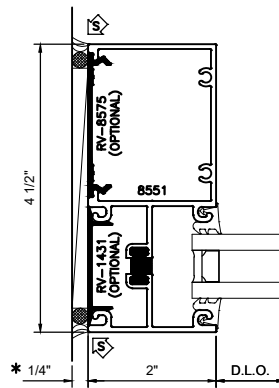
9



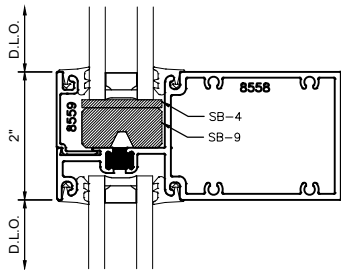
12



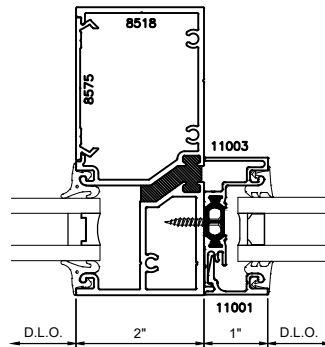
10



13



11

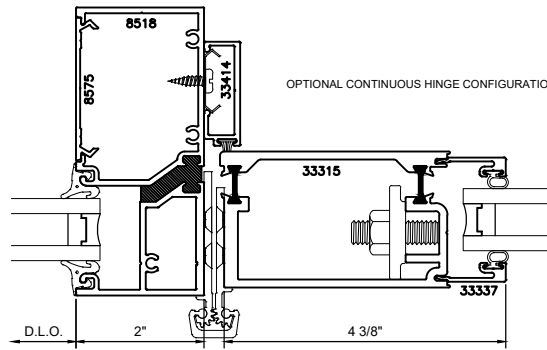


14

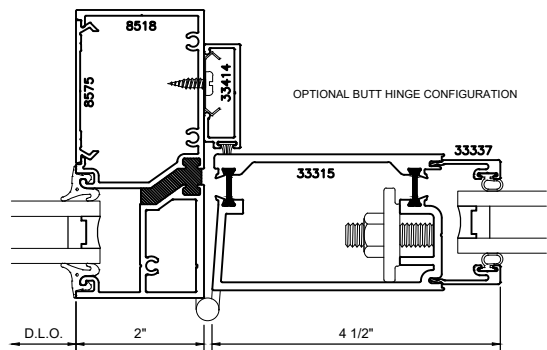
* MINIMUM RECOMMENDED FOR THERMAL ISOLATION.
INCREASE AS REQUIRED TO COMPLY WITH SEALANT
MANUFACTURERS' INSTRUCTIONS



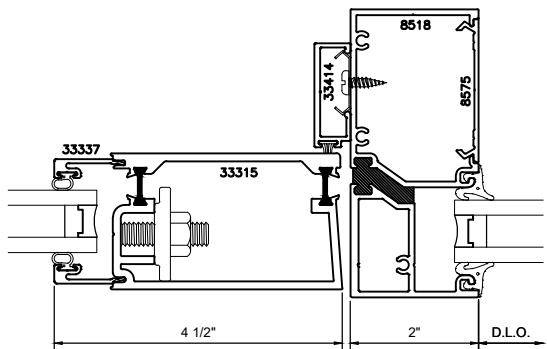
2" X 4 1/2" THERMALLY BROKEN
 FRONT-SET DOOR FRAME
 WITH 135i SERIES (MEDIUM STILE)
 DOOR STANDARD DETAILS



15



15.1



16

* MINIMUM RECOMMENDED FOR THERMAL ISOLATION.
 INCREASE AS REQUIRED TO COMPLY WITH SEALANT
 MANUFACTURERS' INSTRUCTIONS