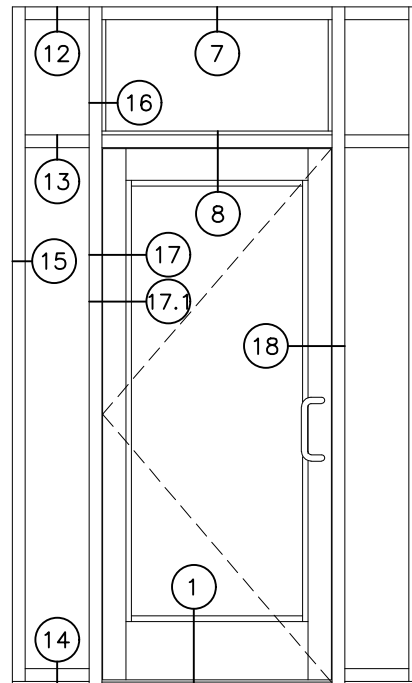
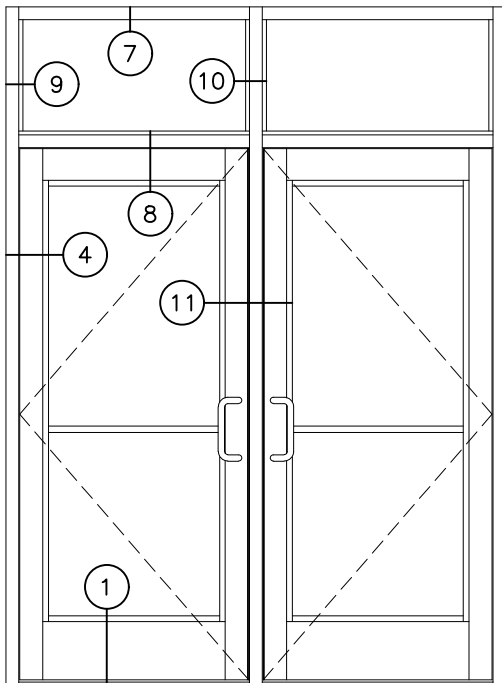
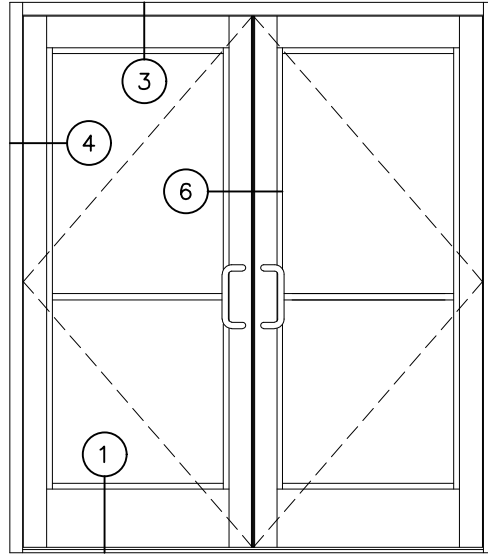
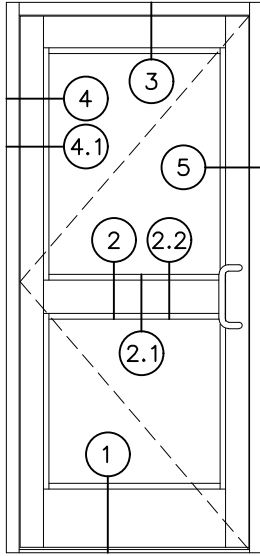




135i

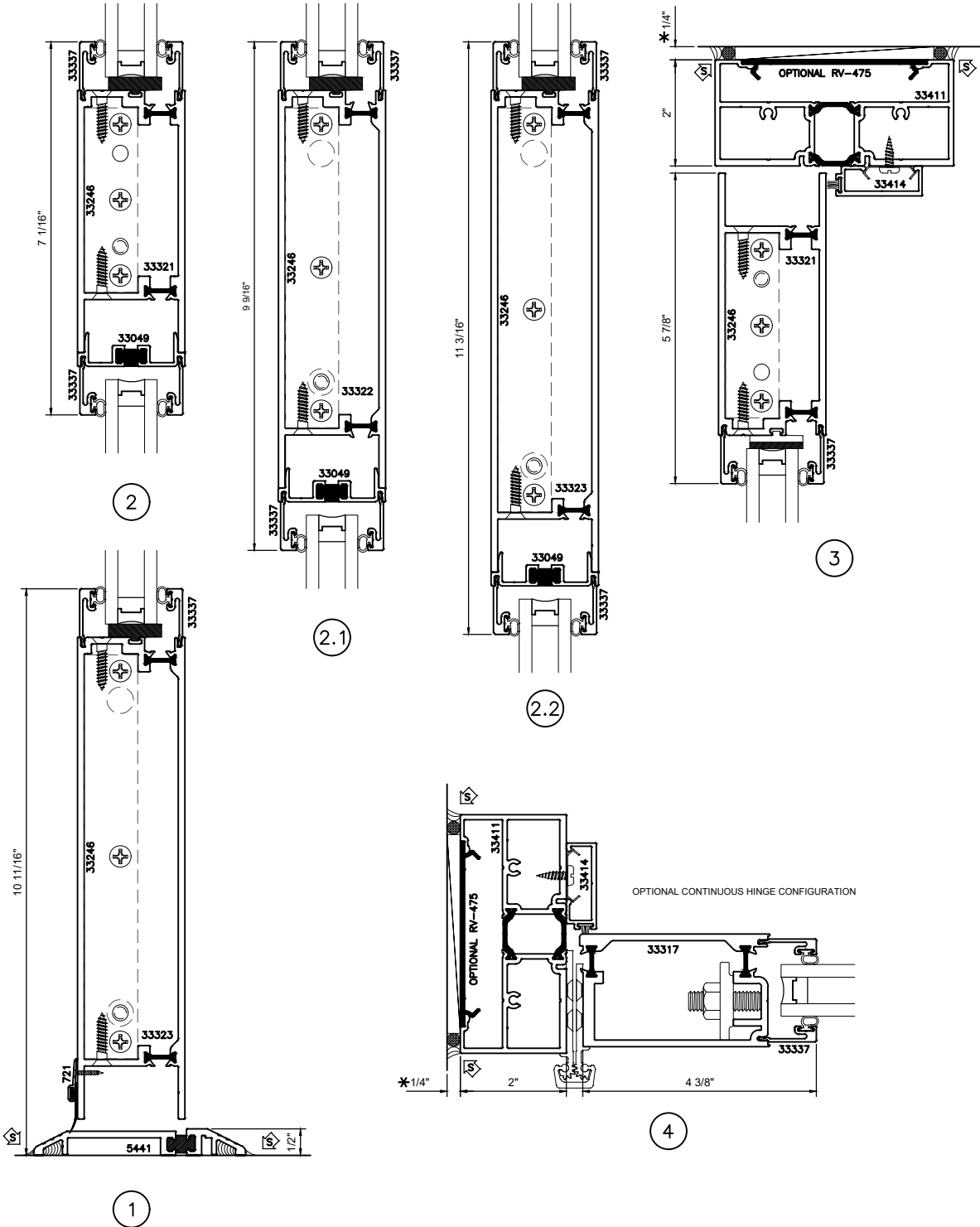
135i Medium Stile Doors  
With 2" x 4 1/2" Thermally Broken  
2450xpt Door Frames





135i

135i Medium Stile Doors  
With 2" x 4 1/2" Thermally Broken  
2450xpt Door Frames

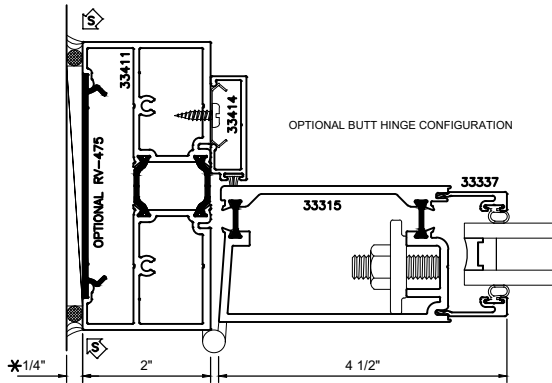


\* MINIMUM RECOMMENDED FOR THERMAL ISOLATION.  
INCREASE AS REQUIRED TO COMPLY WITH SEALANT  
MANUFACTURERS' INSTRUCTIONS

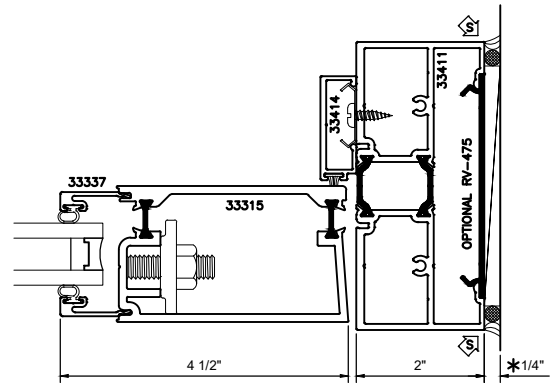


135i

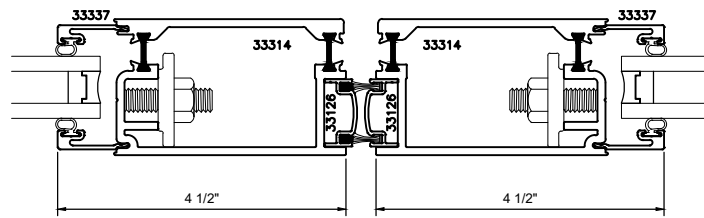
135i Medium Stile Doors  
With 2" x 4 1/2" Thermally Broken  
2450xpt Door Frames



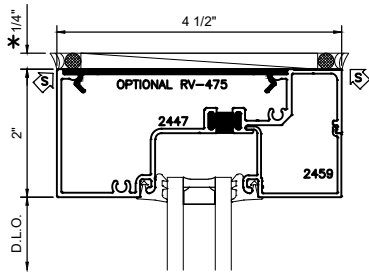
4.1



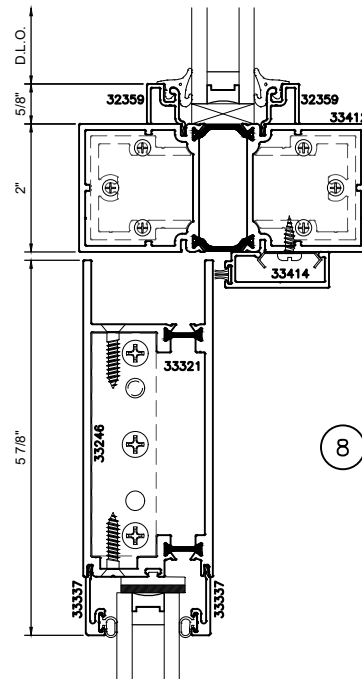
5



6



7



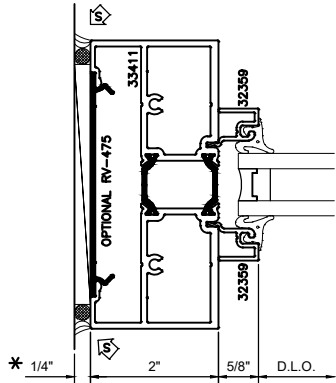
8

\* MINIMUM RECOMMENDED FOR THERMAL ISOLATION.  
INCREASE AS REQUIRED TO COMPLY WITH SEALANT  
MANUFACTURERS' INSTRUCTIONS

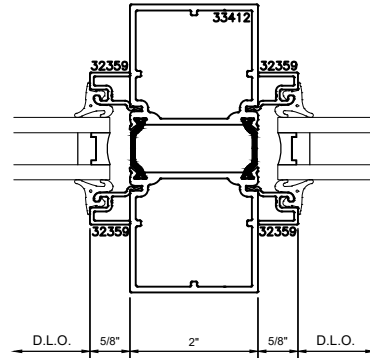


135i

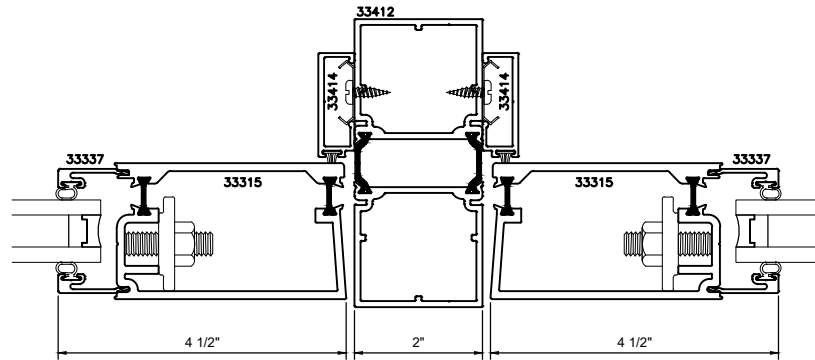
135i Medium Stile Doors  
With 2" x 4 1/2" Thermally Broken  
2450xpt Door Frames



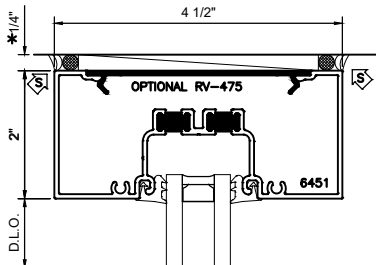
9



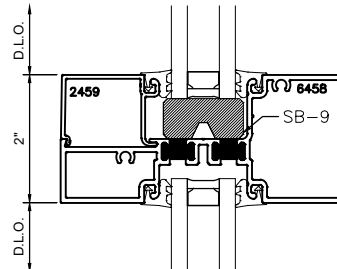
10



11



12



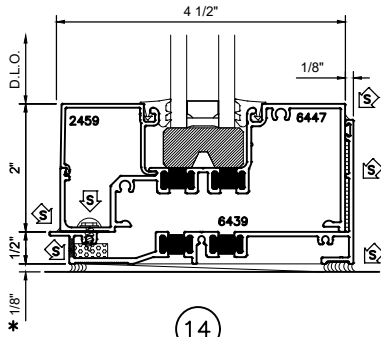
13

\* MINIMUM RECOMMENDED FOR THERMAL ISOLATION.  
INCREASE AS REQUIRED TO COMPLY WITH SEALANT  
MANUFACTURERS' INSTRUCTIONS

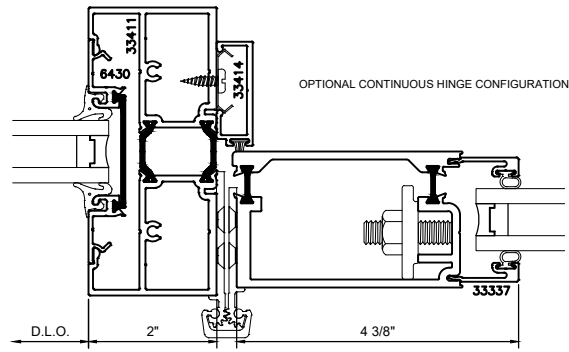


135i

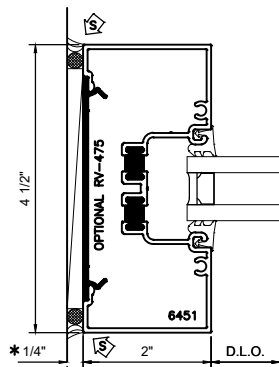
135i Medium Stile Doors  
With 2" x 4 1/2" Thermally Broken  
2450xpt Door Frames



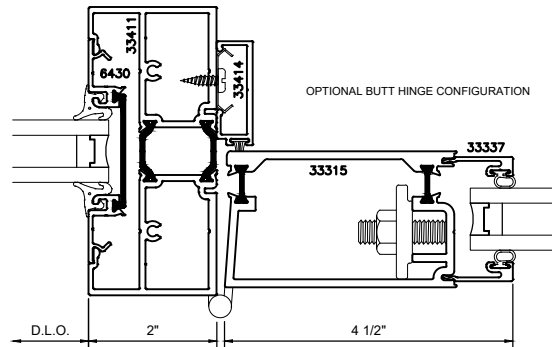
14



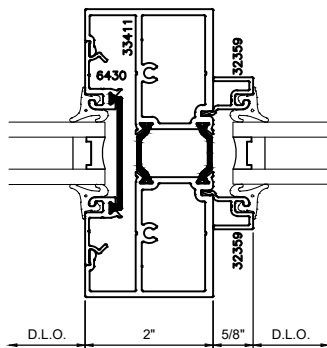
17



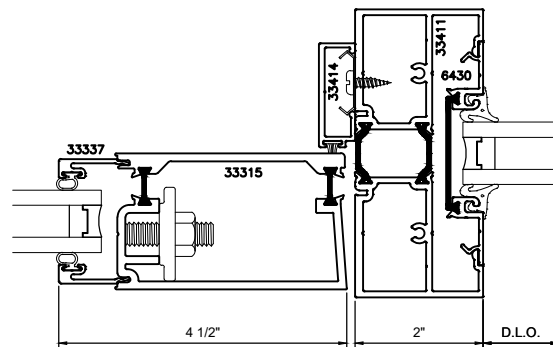
15



17.1



16



18

\* MINIMUM RECOMMENDED FOR THERMAL ISOLATION.  
INCREASE AS REQUIRED TO COMPLY WITH SEALANT  
MANUFACTURERS' INSTRUCTIONS