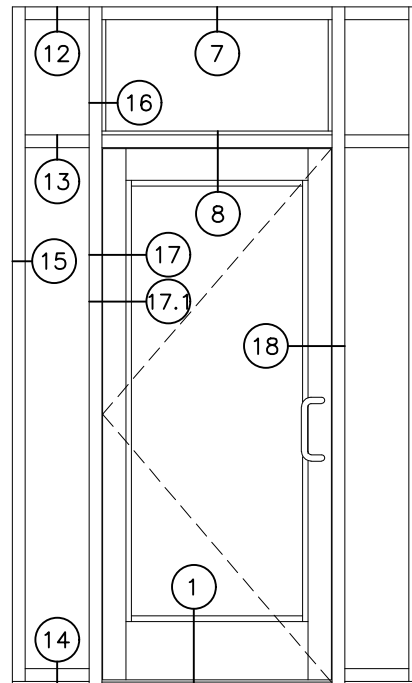
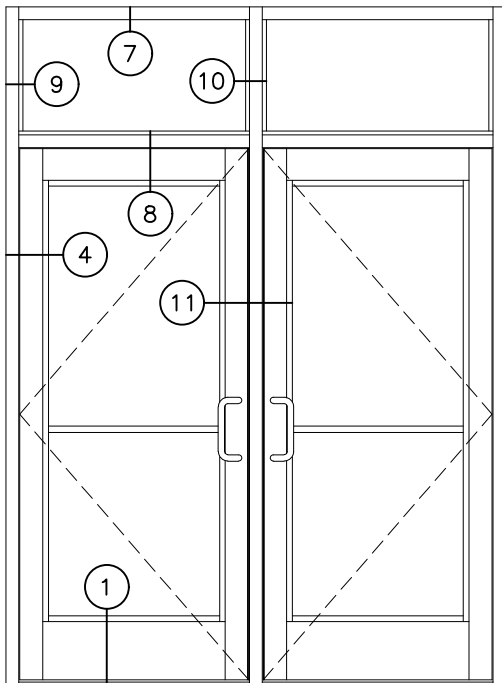
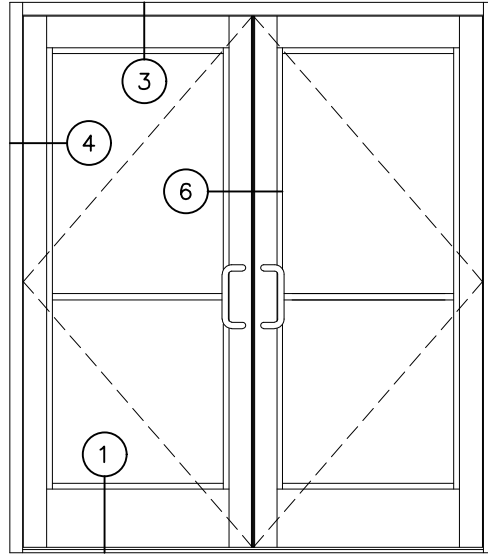
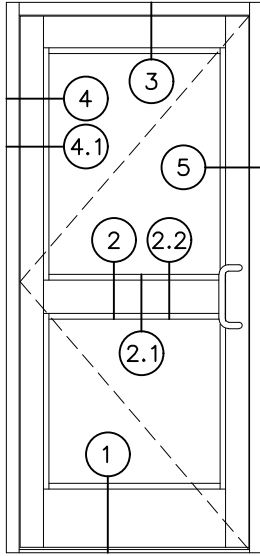




135i

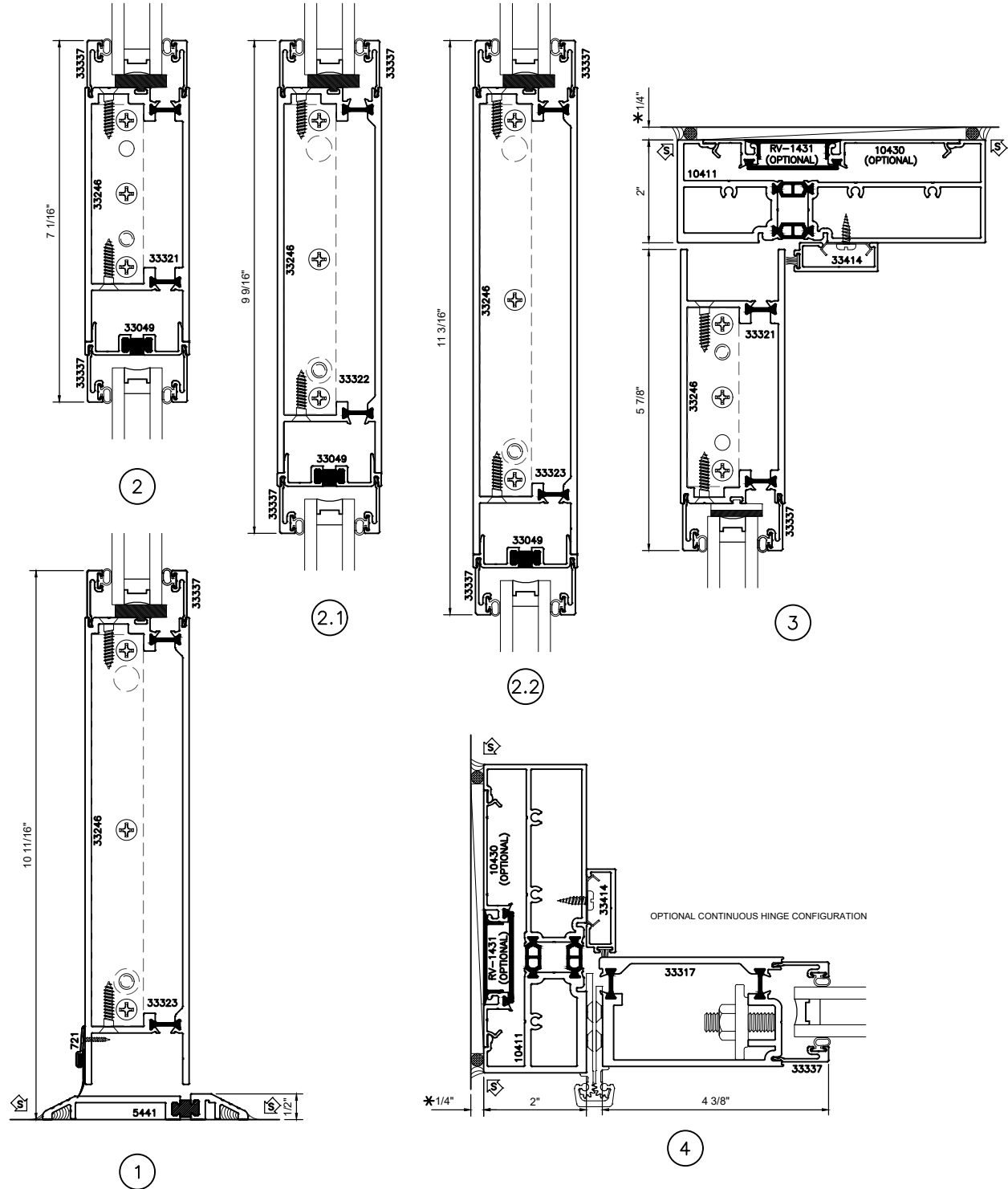
135i Medium Stile Doors
With 2" x 6" Thermally Broken
2600xpt Door Frames





135i

135i Medium Stile Doors
With 2" x 6" Thermally Broken
2600xpt Door Frames

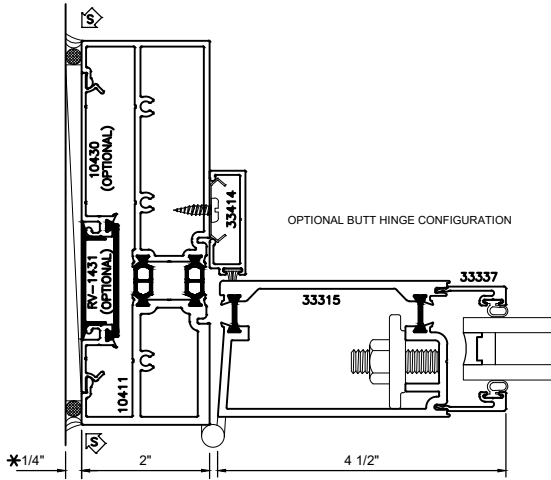


* MINIMUM RECOMMENDED FOR THERMAL ISOLATION.
INCREASE AS REQUIRED TO COMPLY WITH SEALANT
MANUFACTURERS' INSTRUCTIONS

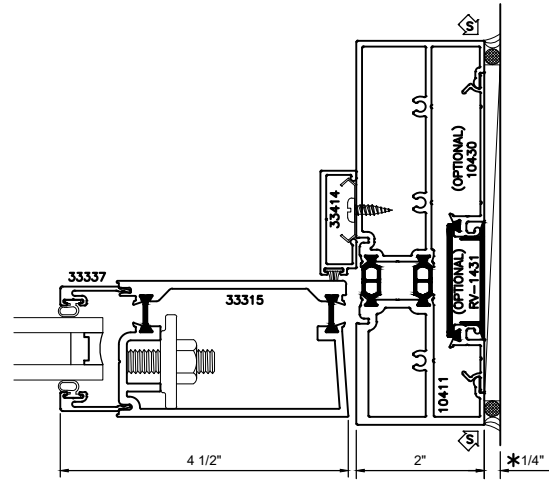


135i

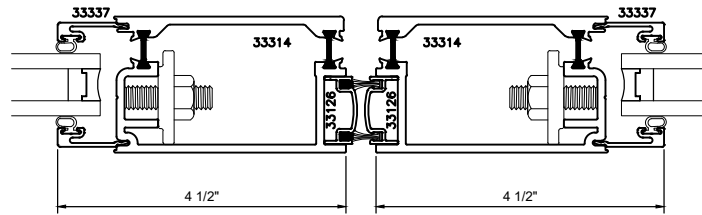
135i Medium Stile Doors
With 2" x 6" Thermally Broken
2600xpt Door Frames



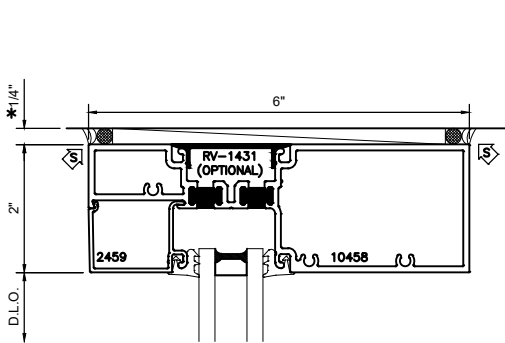
4.1



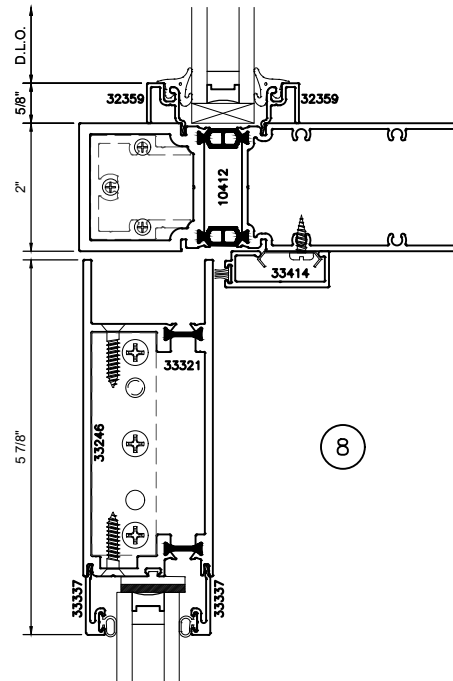
5



6



7



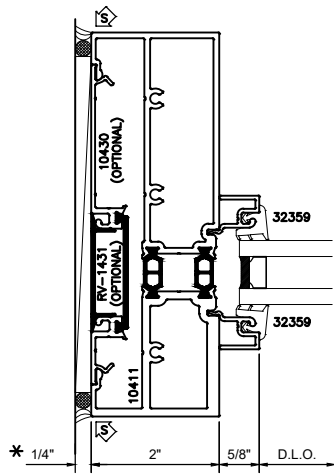
8

* MINIMUM RECOMMENDED FOR THERMAL ISOLATION.
INCREASE AS REQUIRED TO COMPLY WITH SEALANT
MANUFACTURERS' INSTRUCTIONS

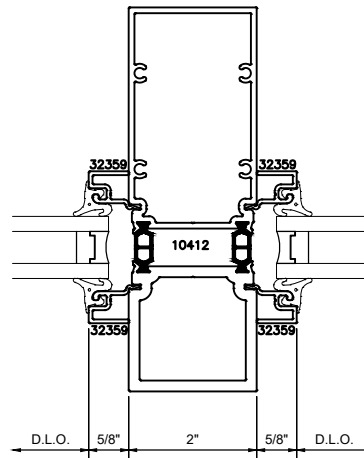


135i

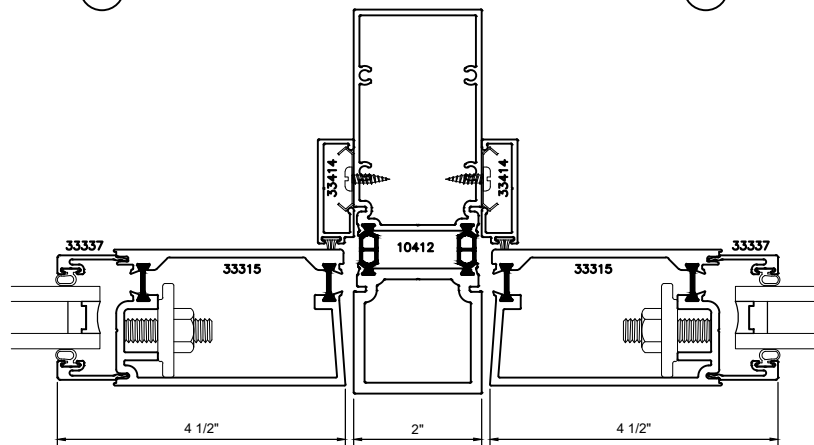
135i Medium Stile Doors
With 2" x 6" Thermally Broken
2600xpt Door Frames



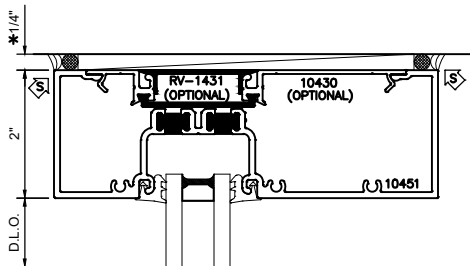
9



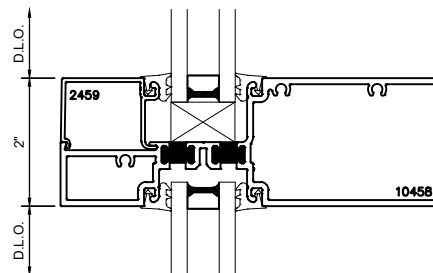
10



11



12



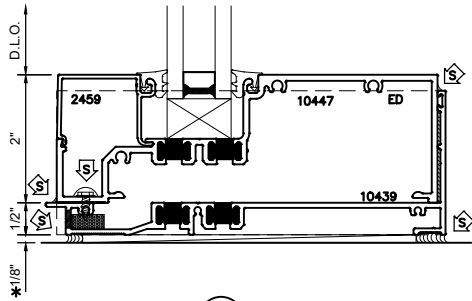
13

* MINIMUM RECOMMENDED FOR THERMAL ISOLATION.
INCREASE AS REQUIRED TO COMPLY WITH SEALANT
MANUFACTURERS' INSTRUCTIONS

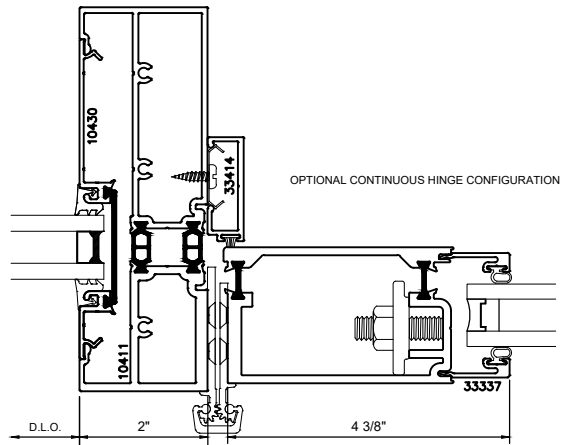


135i

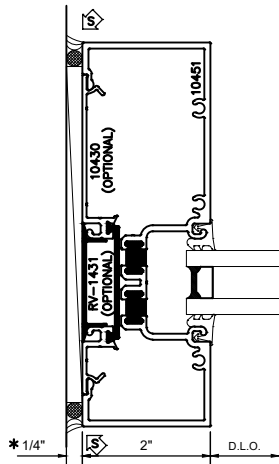
135i Medium Stile Doors
With 2" x 6" Thermally Broken
2600xpt Door Frames



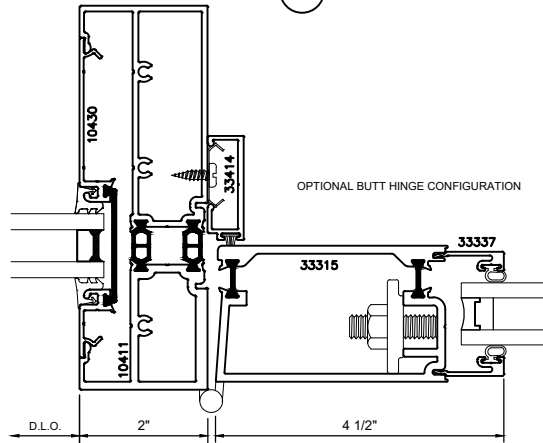
14



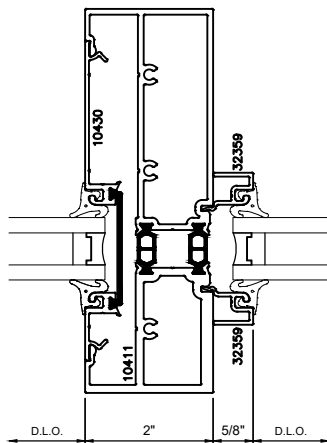
17



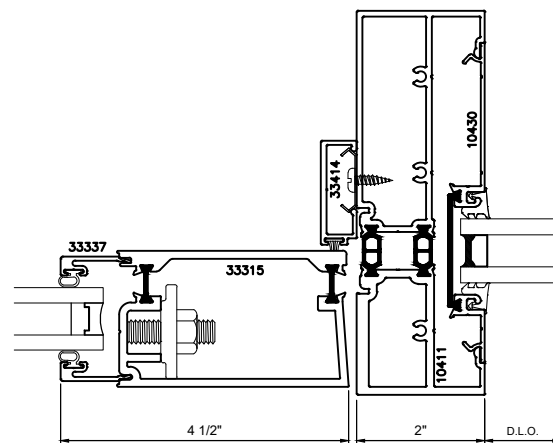
15



17.1



16



18

* MINIMUM RECOMMENDED FOR THERMAL ISOLATION.
INCREASE AS REQUIRED TO COMPLY WITH SEALANT
MANUFACTURERS' INSTRUCTIONS