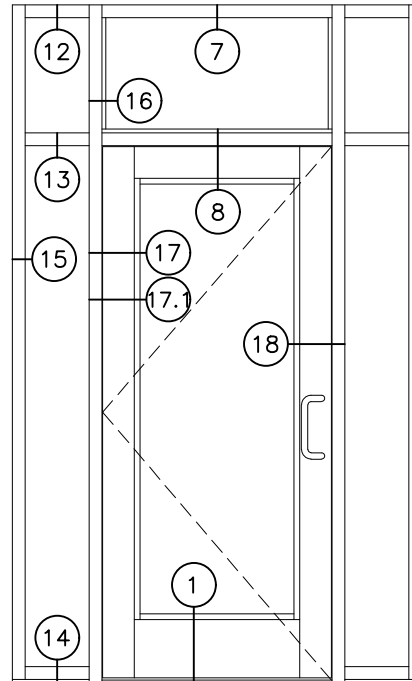
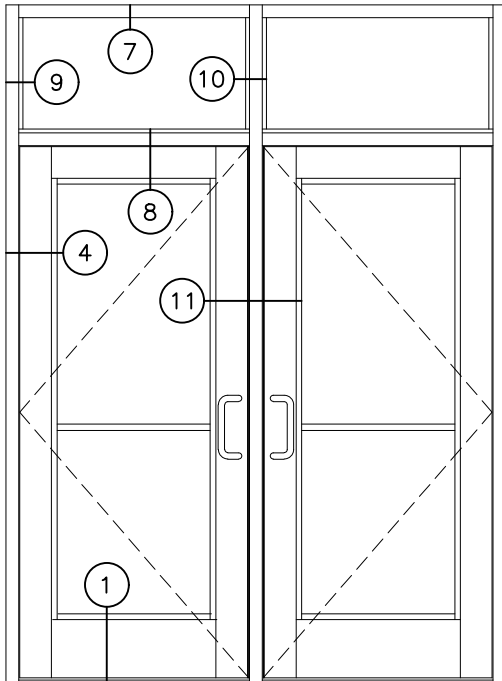
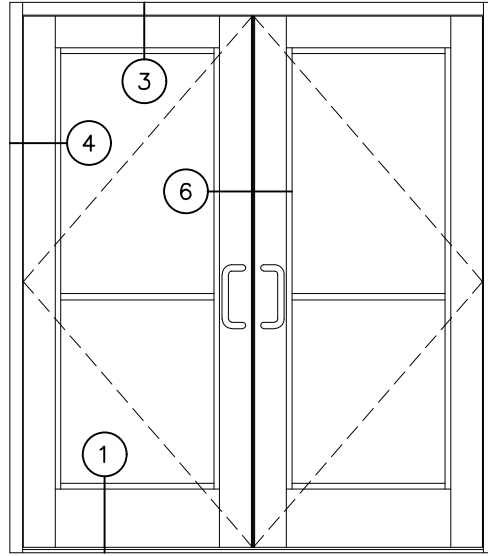
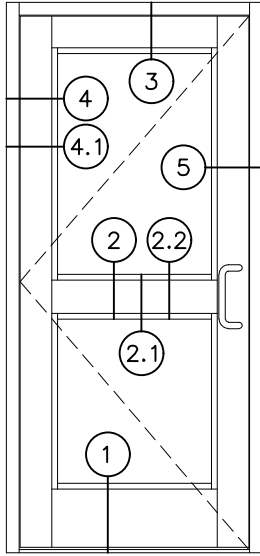




150i

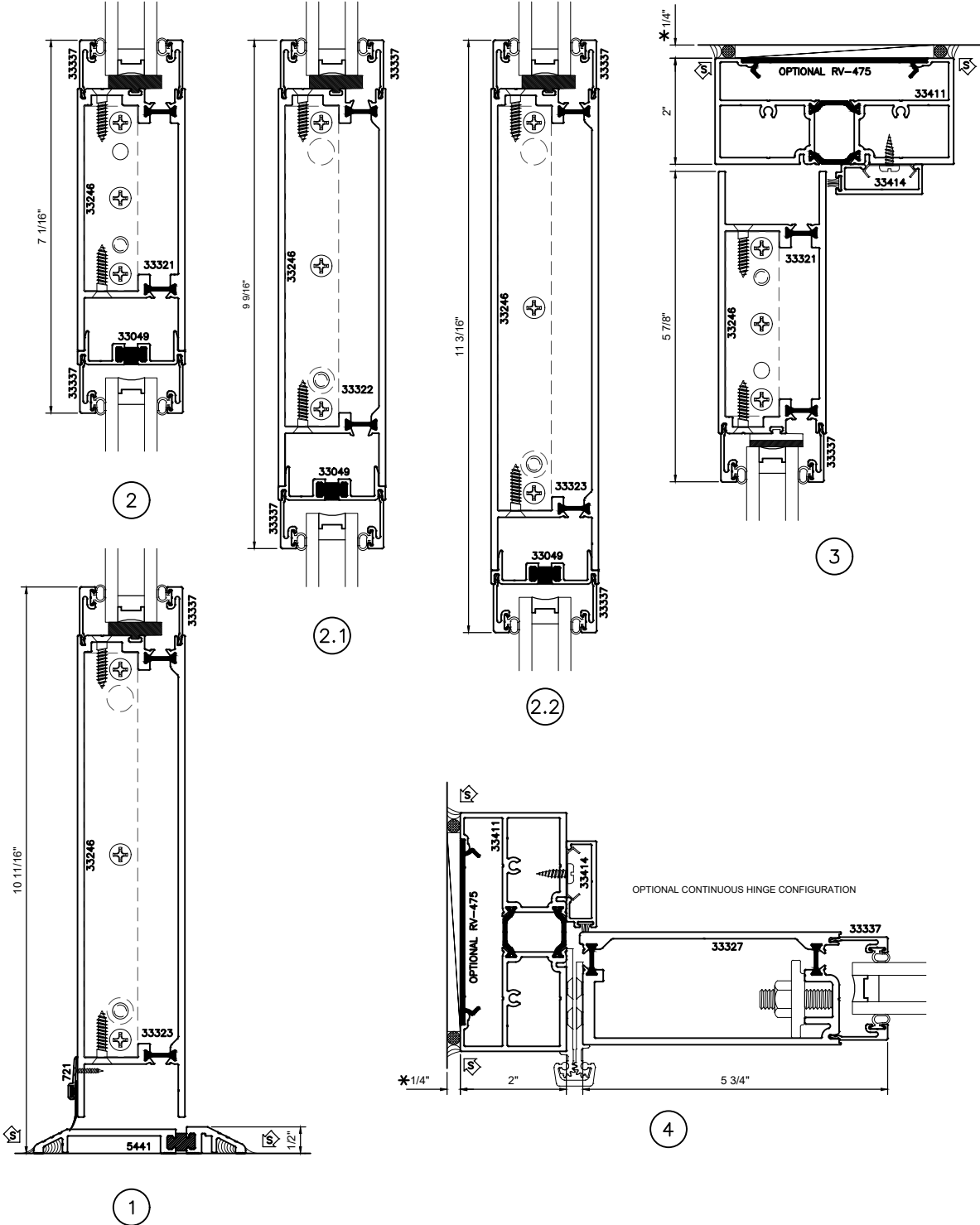
150i Wide Stile Doors
With 2" x 4 1/2" Thermally Broken
2450xpt Door Frames





150i

150i Wide Stile Doors
With 2" x 4 1/2" Thermally Broken
2450xpt Door Frames

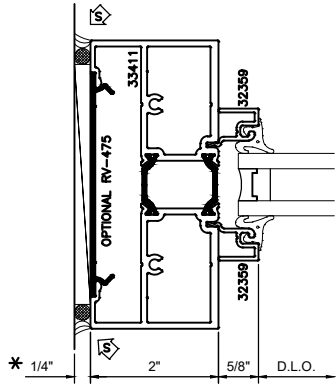


* MINIMUM RECOMMENDED FOR THERMAL ISOLATION.
INCREASE AS REQUIRED TO COMPLY WITH SEALANT
MANUFACTURERS' INSTRUCTIONS

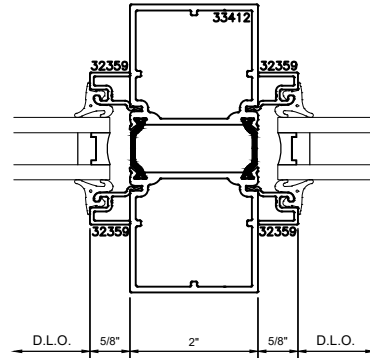


150i

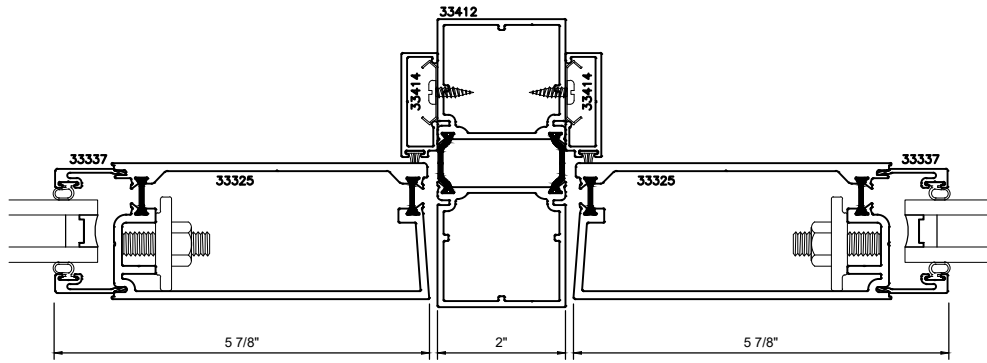
150i Wide Stile Doors
With 2" x 4 1/2" Thermally Broken
2450xpt Door Frames



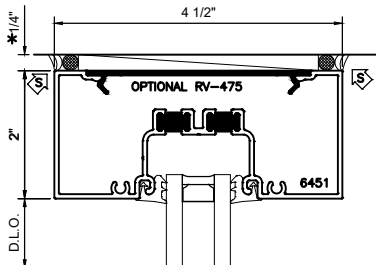
9



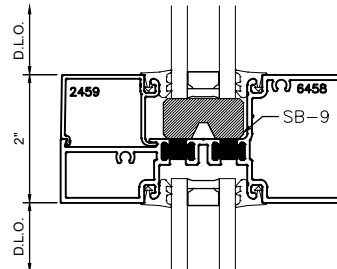
10



11



12



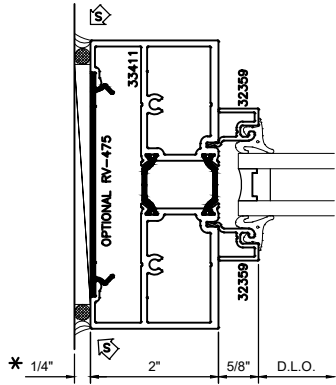
13

* MINIMUM RECOMMENDED FOR THERMAL ISOLATION.
INCREASE AS REQUIRED TO COMPLY WITH SEALANT
MANUFACTURERS' INSTRUCTIONS

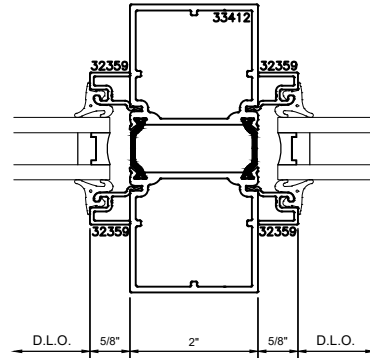


150i

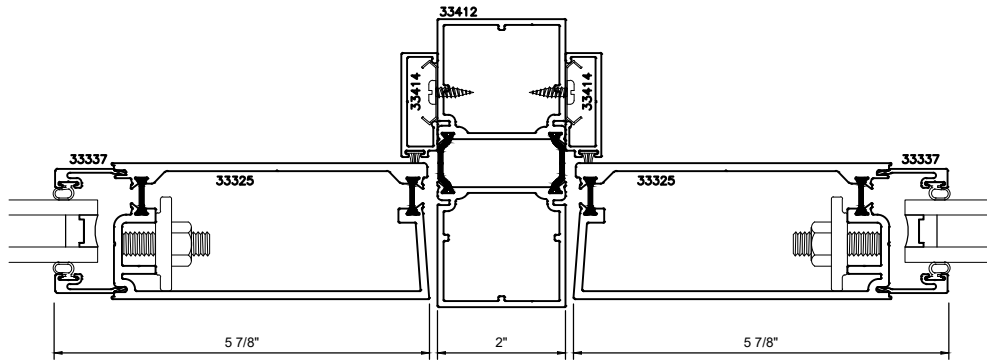
150i Wide Stile Doors
With 2" x 4 1/2" Thermally Broken
2450xpt Door Frames



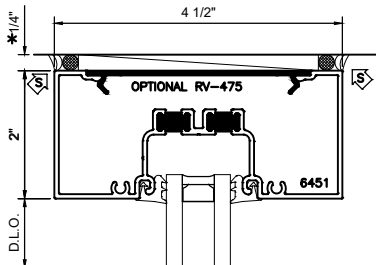
9



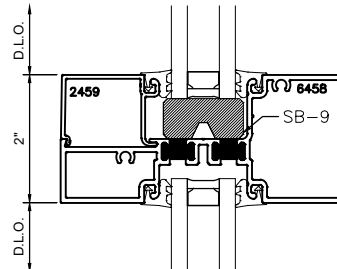
10



11



12



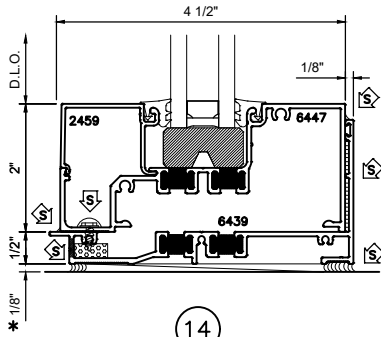
13

* MINIMUM RECOMMENDED FOR THERMAL ISOLATION.
INCREASE AS REQUIRED TO COMPLY WITH SEALANT
MANUFACTURERS' INSTRUCTIONS

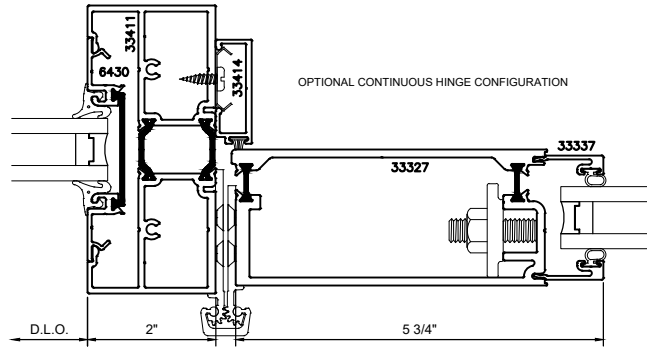


150i

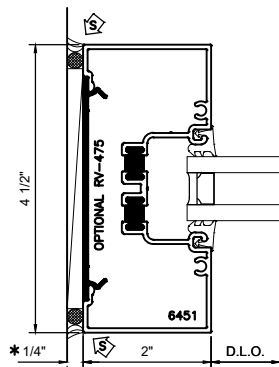
150i Wide Stile Doors
With 2" x 4 1/2" Thermally Broken
2450xpt Door Frames



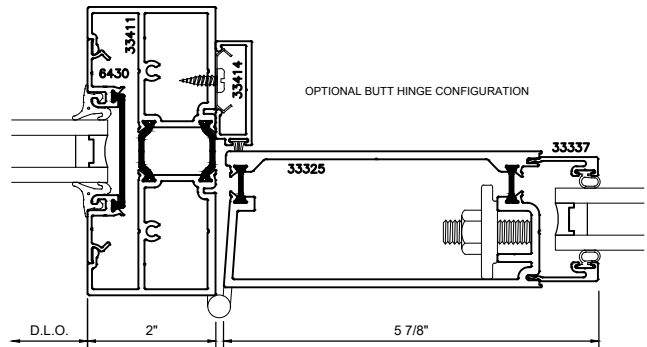
14



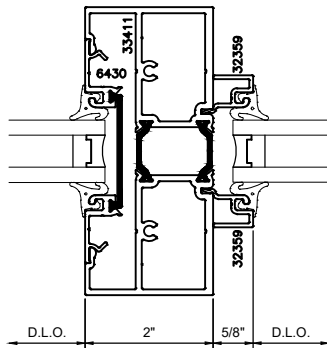
17



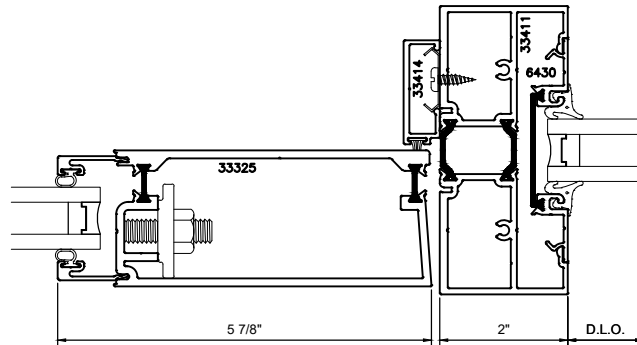
15



17.1



16



18

* MINIMUM RECOMMENDED FOR THERMAL ISOLATION.
INCREASE AS REQUIRED TO COMPLY WITH SEALANT
MANUFACTURERS' INSTRUCTIONS