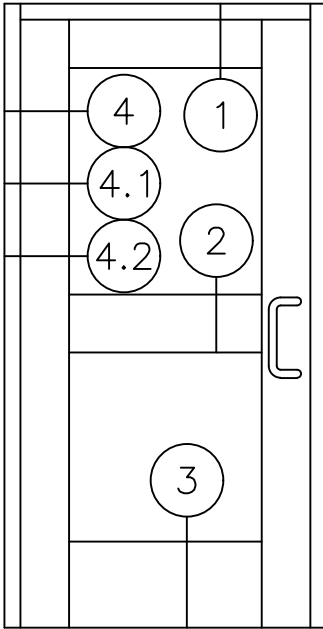
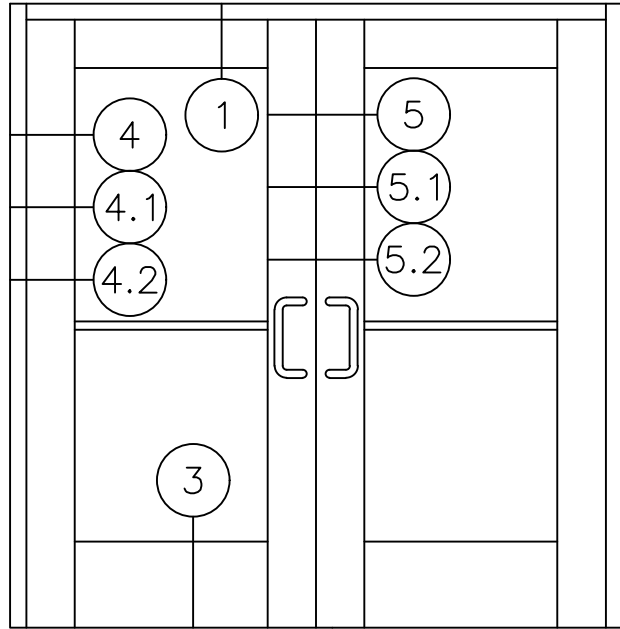




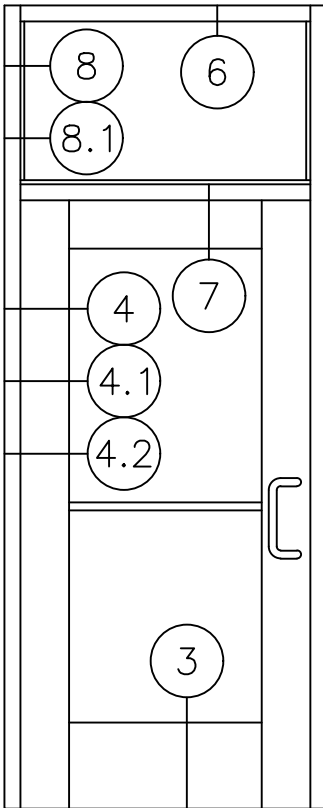
**2" X 4 1/2" THERMALLY BROKEN
STOREFRONT DOOR FRAME
WITH 150XPT SERIES (WIDE STILE)
DOOR STANDARD DETAILS**



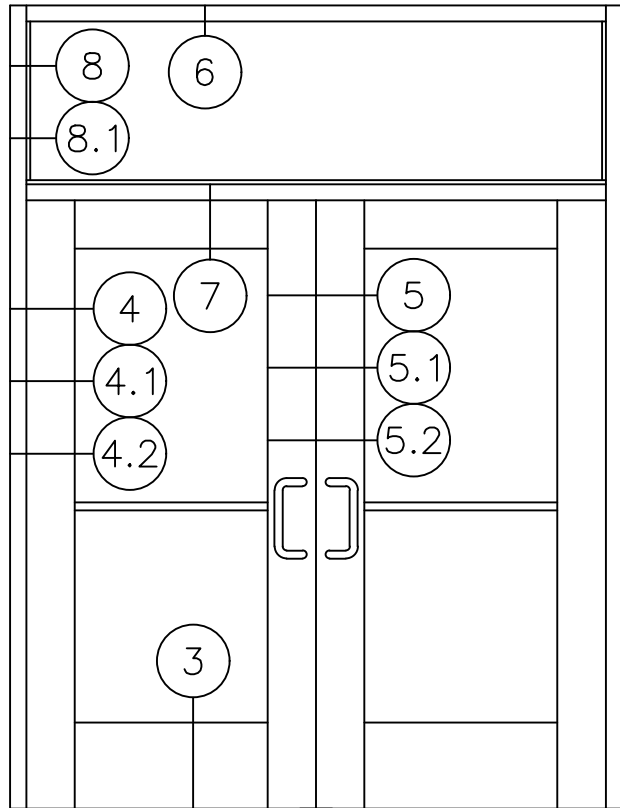
SINGLE DOOR
WITHOUT TRANSOM
STANDARD CONFIGURATION



PAIR DOORS
WITHOUT TRANSOM
STANDARD CONFIGURATION



SINGLE DOOR
WITH TRANSOM
STANDARD CONFIGURATION

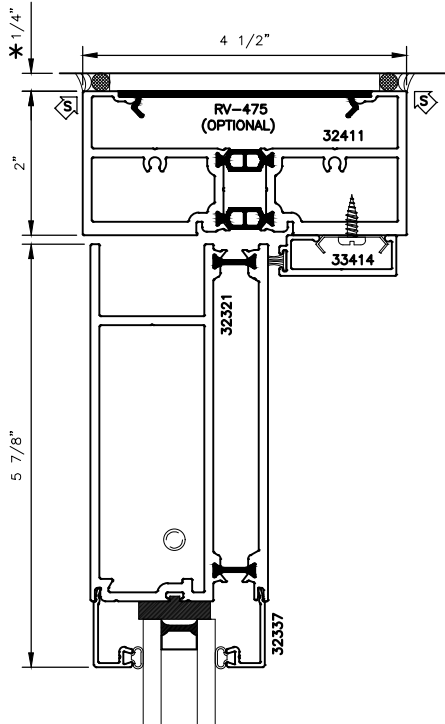


PAIR DOORS
WITH TRANSOM
STANDARD CONFIGURATION

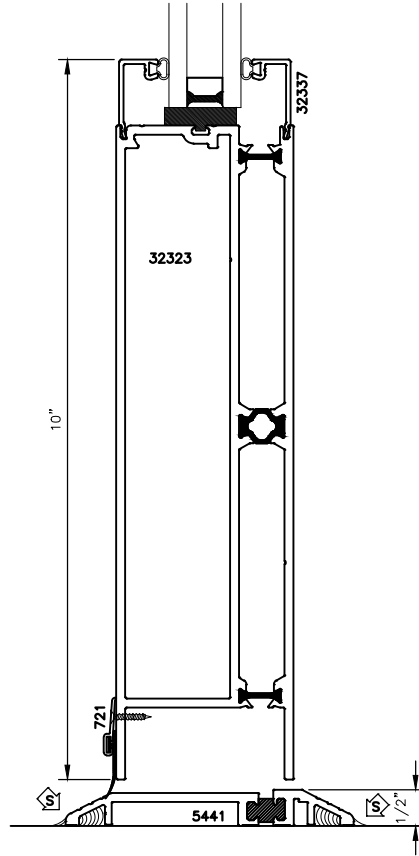


2" X 4 1/2" THERMALLY BROKEN STOREFRONT DOOR FRAME WITH 150XPT SERIES (WIDE STILE) DOOR STANDARD DETAILS

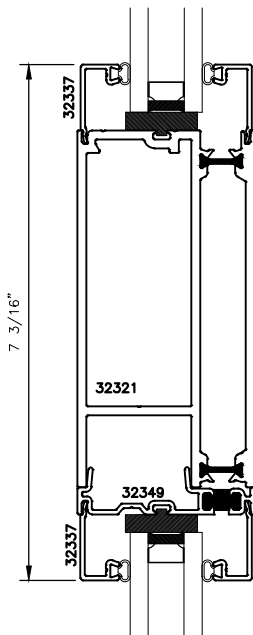
* MINIMUM RECOMMENDED FOR THERMAL ISOLATION.
INCREASE AS REQUIRED TO COMPLY WITH SEALANT
MANUFACTURERS' INSTRUCTIONS



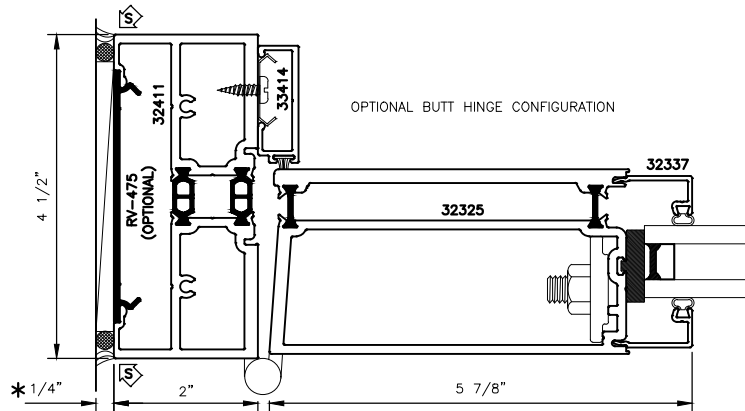
1



3



2

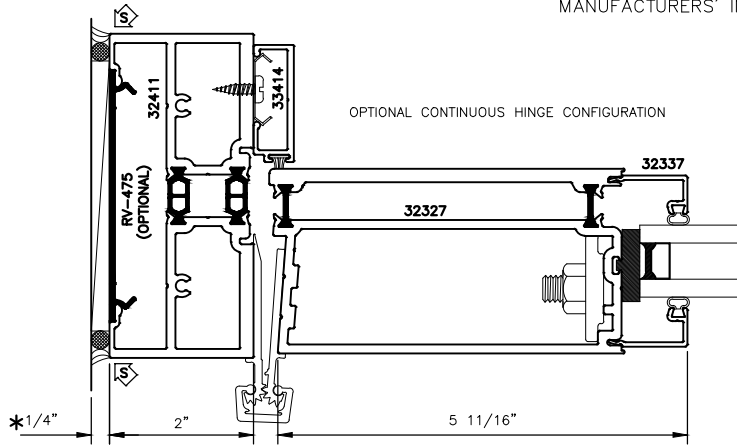


4

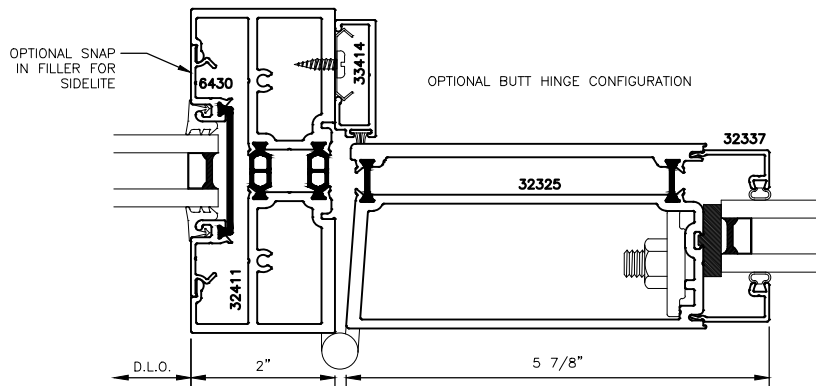


2" X 4 1/2" THERMALLY BROKEN STOREFRONT DOOR FRAME WITH 150XPT SERIES (WIDE STILE) DOOR STANDARD DETAILS

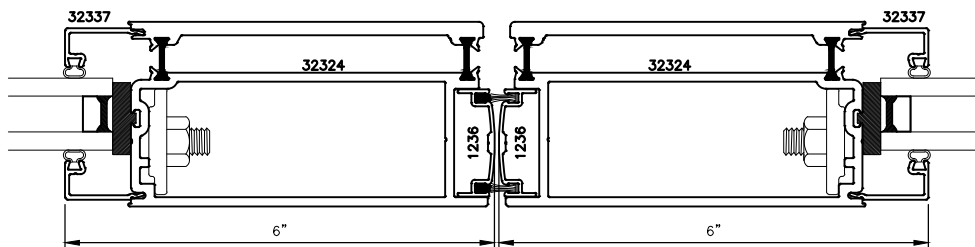
* MINIMUM RECOMMENDED FOR THERMAL ISOLATION.
INCREASE AS REQUIRED TO COMPLY WITH SEALANT
MANUFACTURERS' INSTRUCTIONS



OPT.
4.1



OPT.
4.2

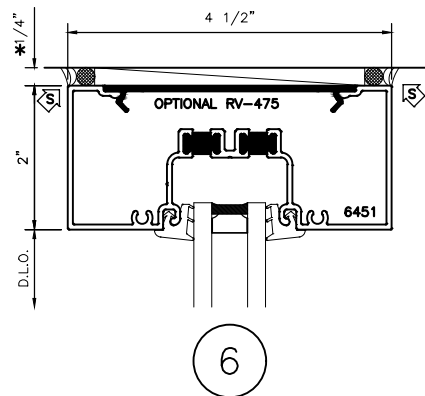
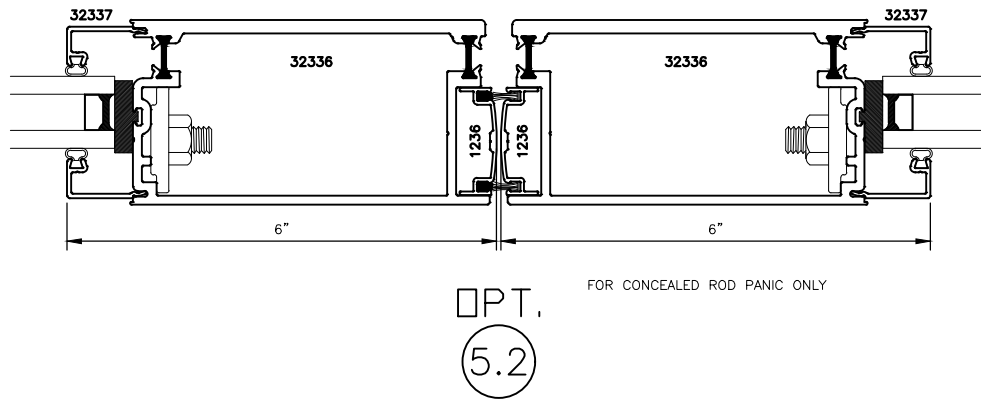
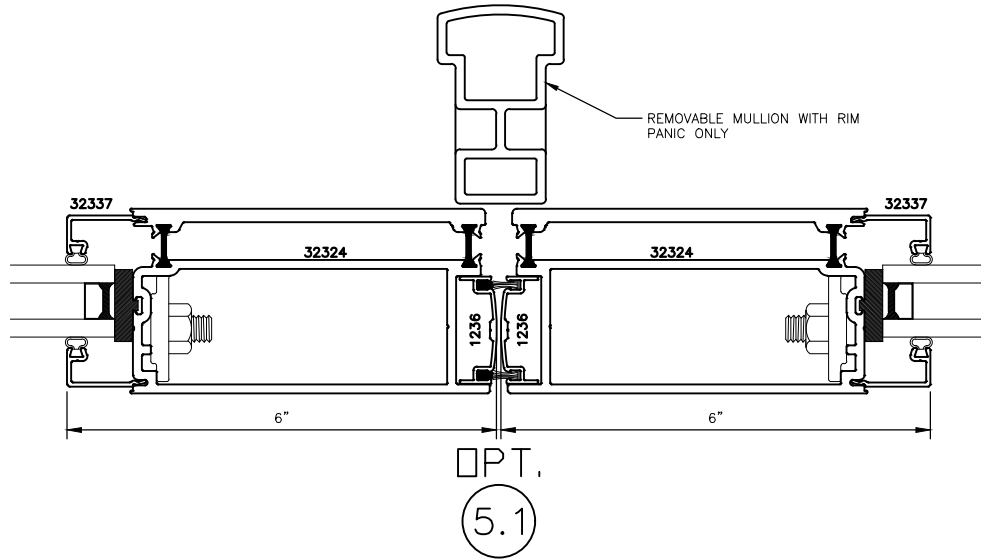


5



2" X 4 1/2" THERMALLY BROKEN STOREFRONT DOOR FRAME WITH 150XPT SERIES (WIDE STILE) DOOR STANDARD DETAILS

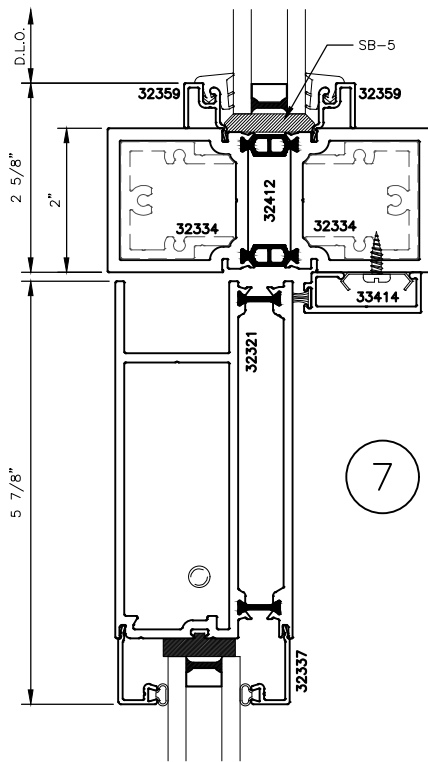
* MINIMUM RECOMMENDED FOR THERMAL ISOLATION.
INCREASE AS REQUIRED TO COMPLY WITH SEALANT
MANUFACTURERS' INSTRUCTIONS



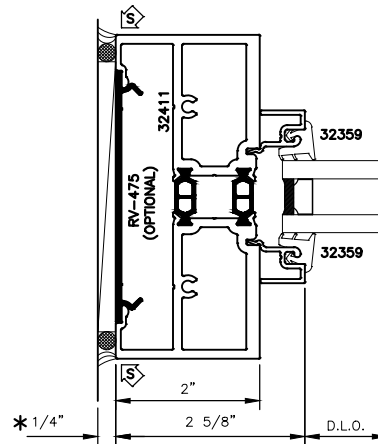


2" X 4 1/2" THERMALLY BROKEN STOREFRONT DOOR FRAME WITH 150XPT SERIES (WIDE STILE) DOOR STANDARD DETAILS

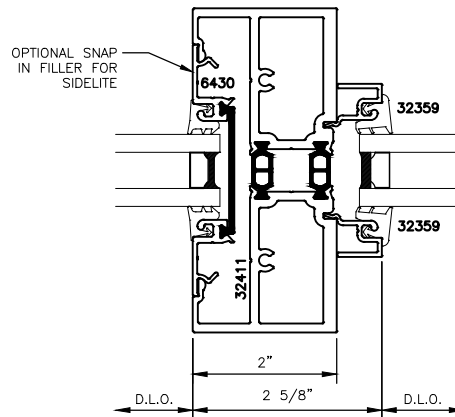
* MINIMUM RECOMMENDED FOR THERMAL ISOLATION.
INCREASE AS REQUIRED TO COMPLY WITH SEALANT
MANUFACTURERS' INSTRUCTIONS



7



8



OPT.
8.1