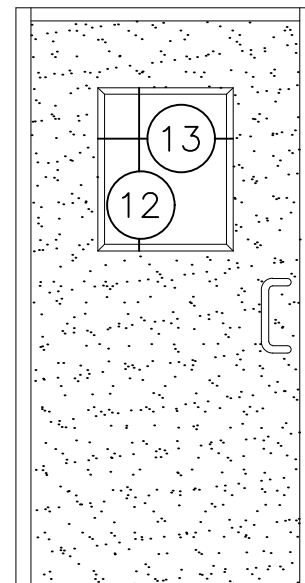
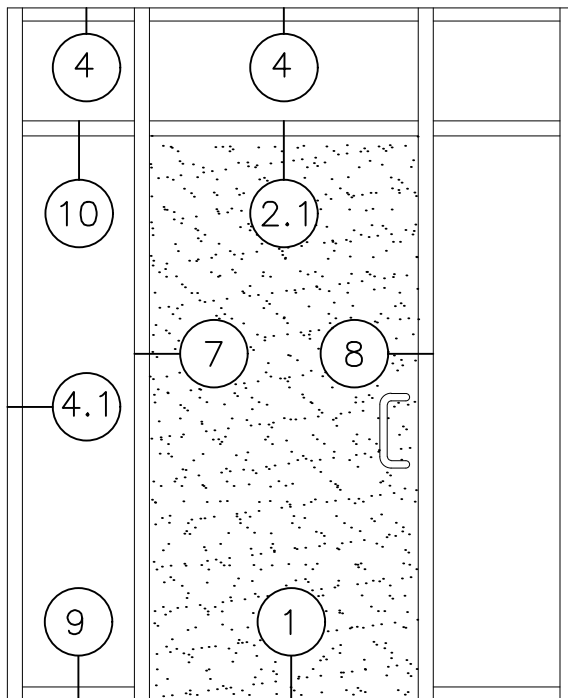
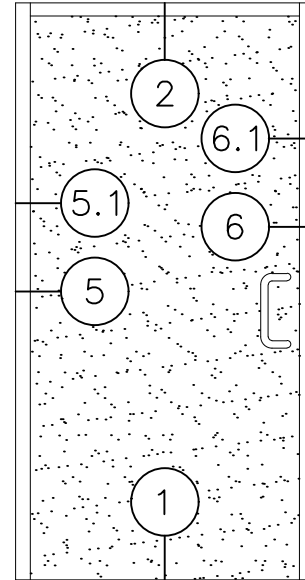
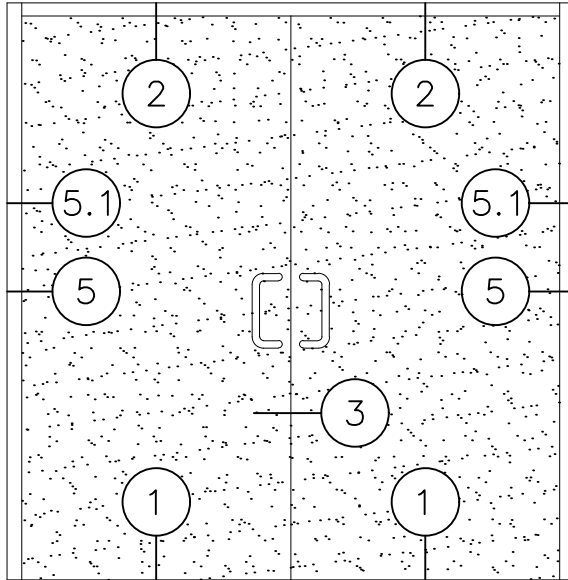




**MANKO**

*170i FRP Wide Stile Doors*  
**170i FRP** *With 2" x 4 1/2" Thermally Broken*  
*2450xpt Door Frames*

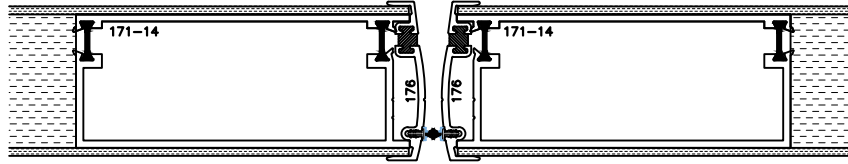




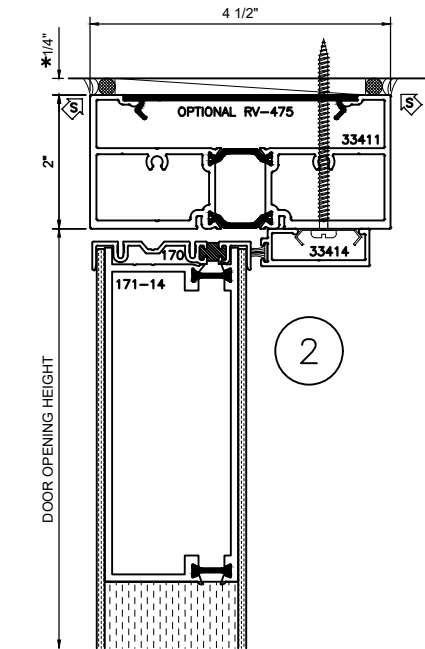
# 170i FRP

## 170i FRP Wide Stile Doors

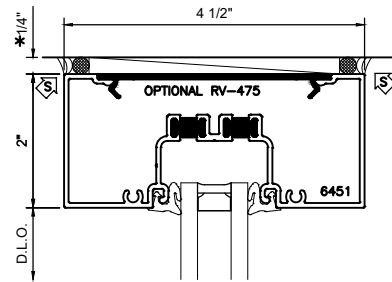
### With 2" x 4 1/2" Thermally Broken 2450xpt Door Frames



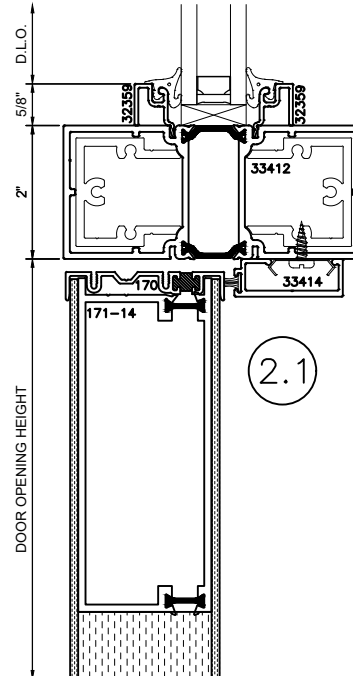
3



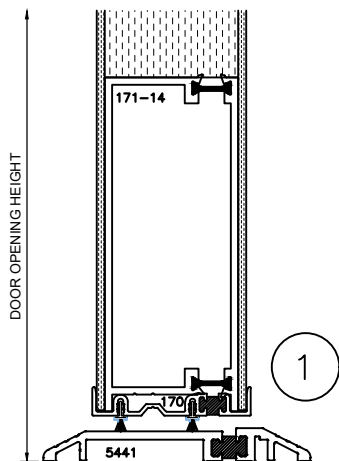
2



4



2.1



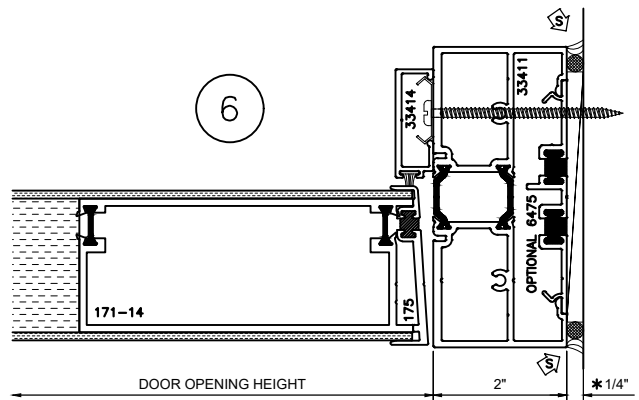
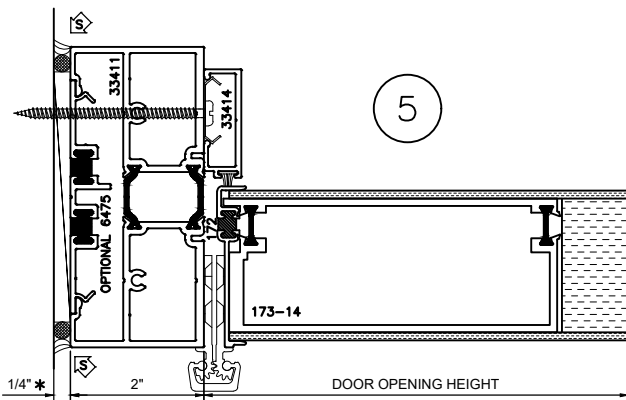
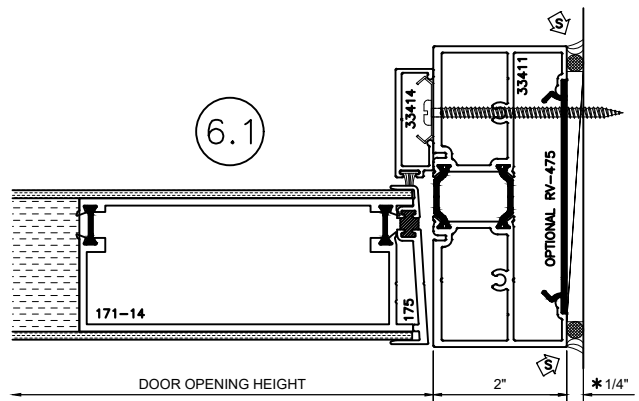
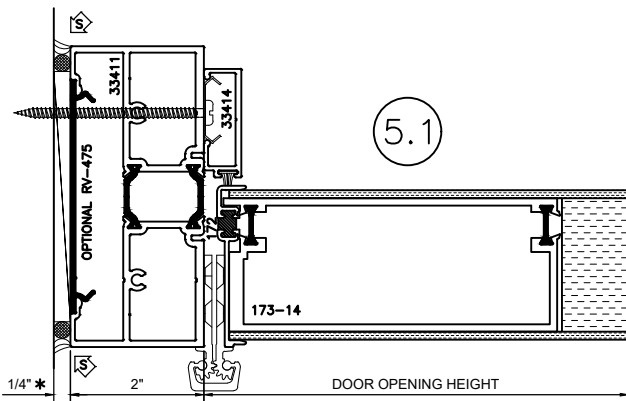
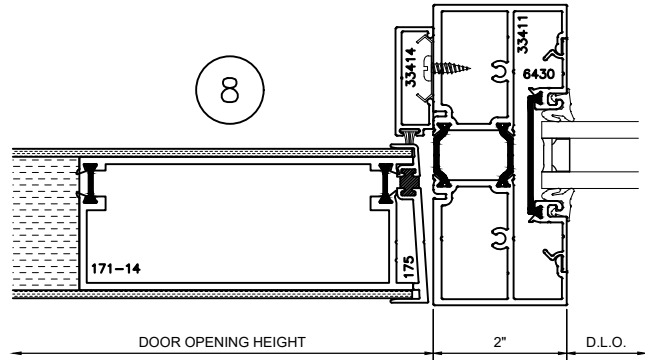
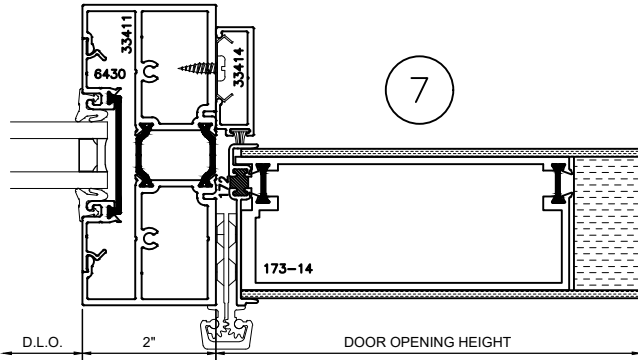
1

\* MINIMUM RECOMMENDED FOR THERMAL ISOLATION. INCREASE AS REQUIRED TO COMPLY WITH SEALANT MANUFACTURERS' INSTRUCTIONS



# 170i FRP Wide Stile Doors

## 170i FRP With 2" x 4 1/2" Thermally Broken 2450xpt Door Frames



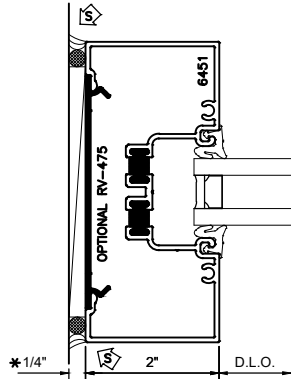
\* MINIMUM RECOMMENDED FOR THERMAL ISOLATION. INCREASE AS REQUIRED TO COMPLY WITH SEALANT MANUFACTURERS' INSTRUCTIONS



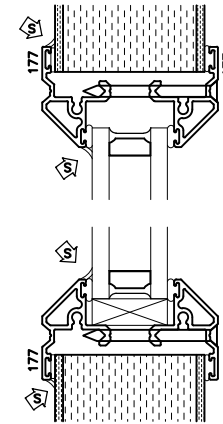
# 170i FRP

## 170i FRP Wide Stile Doors

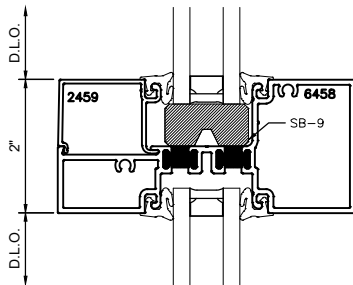
### With 2" x 4 1/2" Thermally Broken 2450xpt Door Frames



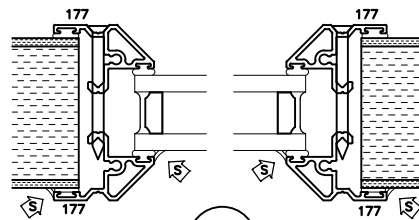
4.1



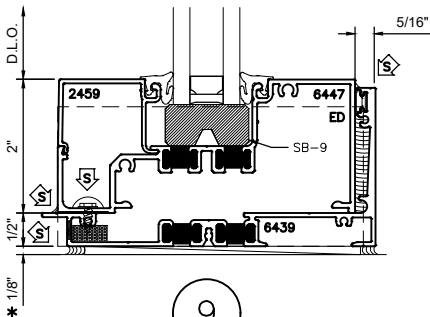
12



10



13



9

\* MINIMUM RECOMMENDED FOR THERMAL ISOLATION. INCREASE AS REQUIRED TO COMPLY WITH SEALANT MANUFACTURERS' INSTRUCTIONS