



# MANKO

## WINDOW SYSTEMS INC.

### 2300i Series

## Terrace Door Details

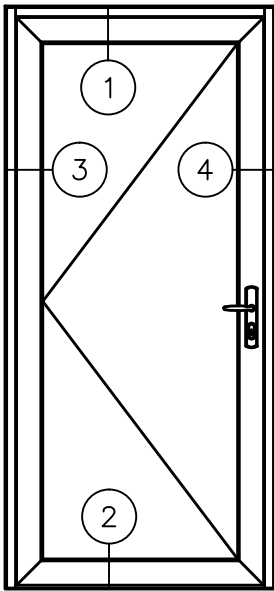
### Table of Contents

4" Outswing Details - Dual Pane IGU.....	1-4
4" Outswing Details - Triple Pane IGU.....	5-8
4" Inswing Details - Dual Pane IGU.....	9-12
4" Inswing Details - Triple Pane IGU.....	13-16
Optional Snap Trim Anchor Details.....	17-19

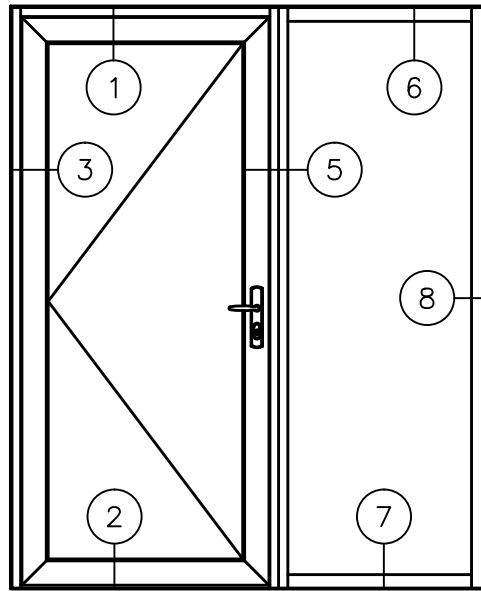


2300i

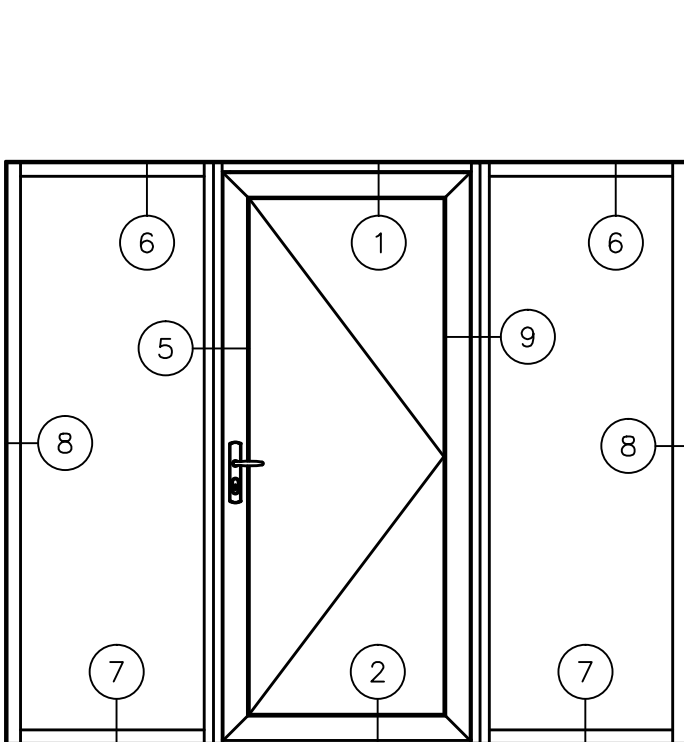
4" THERMAL TERRACE DOORS  
OUTSWING DOOR  
STANDARD DETAILS



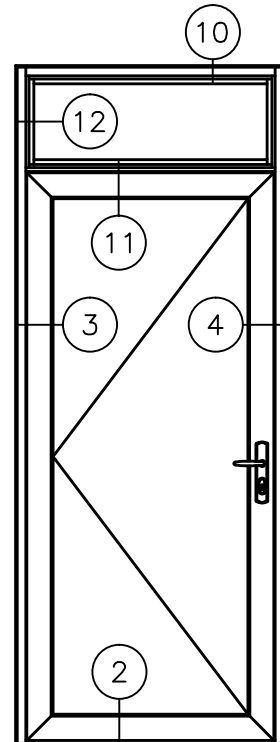
SINGLE DOOR  
WITHOUT TRANSOM  
STANDARD CONFIGURATION



SINGLE DOOR  
WITHOUT 3527i SIDELITE  
STANDARD CONFIGURATION



SINGLE DOOR  
WITH 3527i SIDELITES  
STANDARD CONFIGURATION



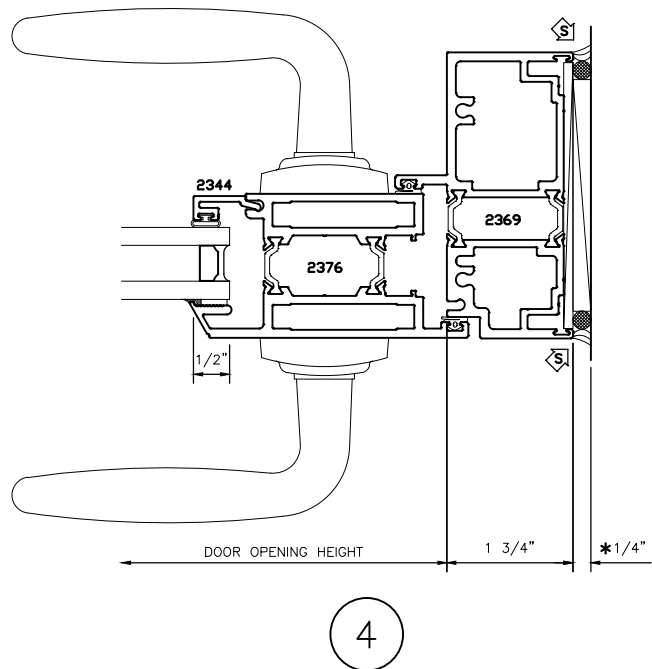
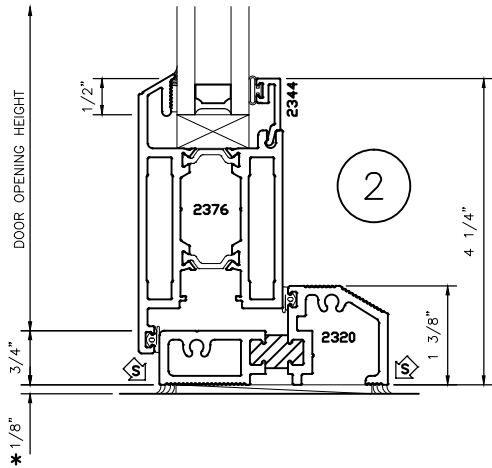
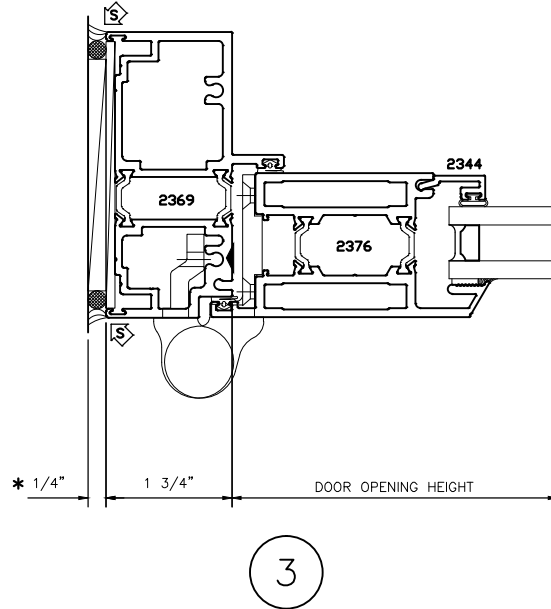
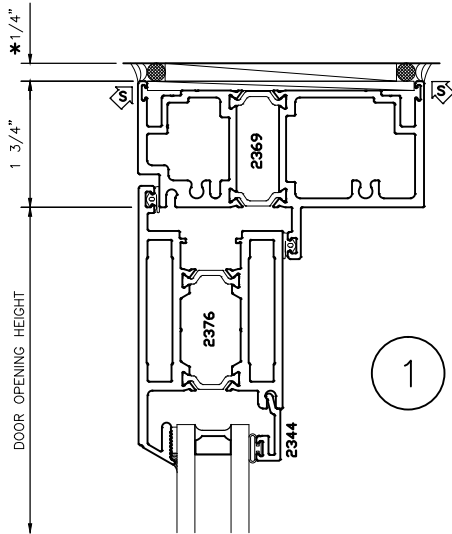
SINGLE DOOR  
WITH TRANSOM  
STANDARD CONFIGURATION



2300i

4" THERMAL TERRACE DOORS  
OUTSWING DOOR  
STANDARD DETAILS

\* MINIMUM RECOMMENDED FOR THERMAL ISOLATION.  
INCREASE AS REQUIRED TO COMPLY WITH SEALANT  
MANUFACTURERS' INSTRUCTIONS

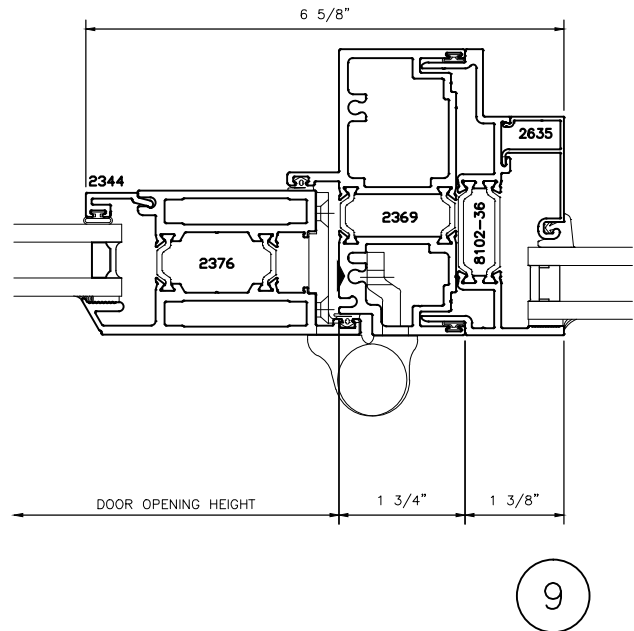
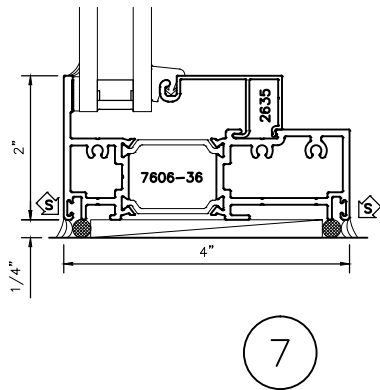
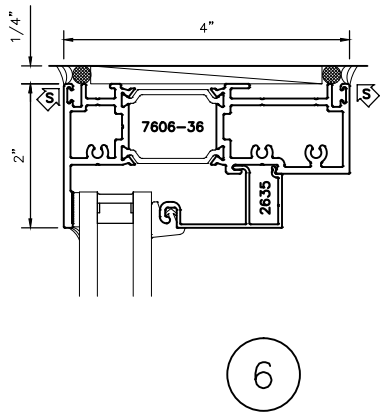
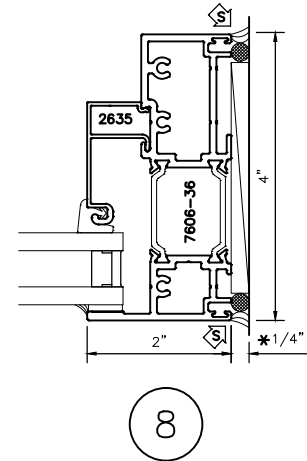
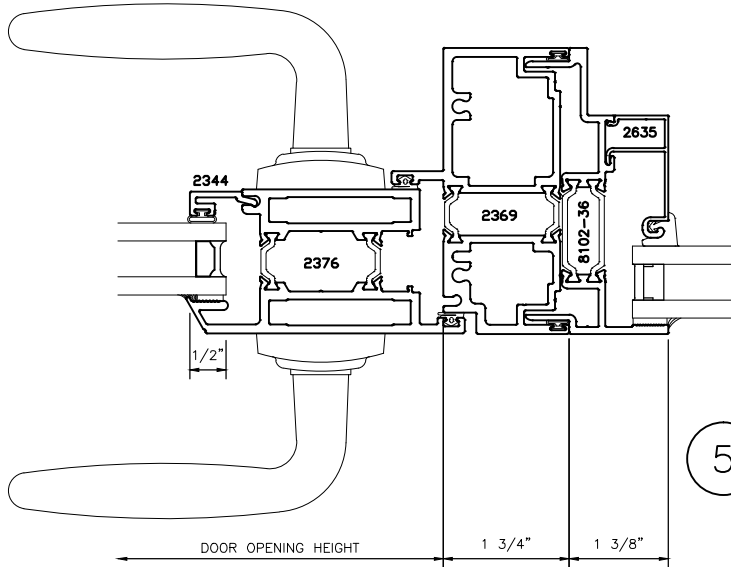




2300i

4" THERMAL TERRACE DOORS  
OUTSWING DOOR  
STANDARD DETAILS

\* MINIMUM RECOMMENDED FOR THERMAL ISOLATION.  
INCREASE AS REQUIRED TO COMPLY WITH SEALANT  
MANUFACTURERS' INSTRUCTIONS

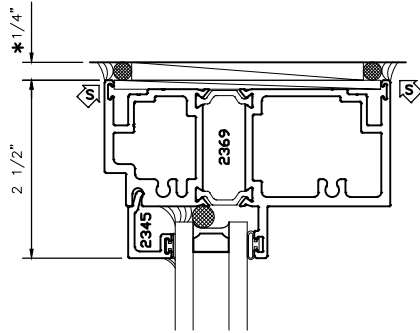




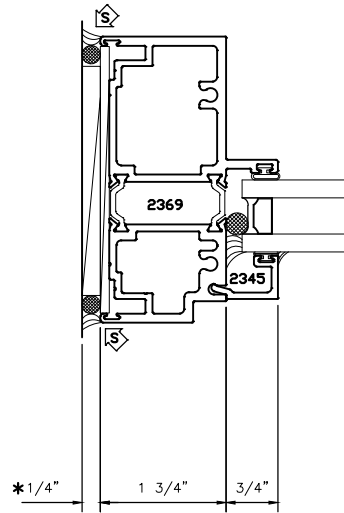
2300i

# 4" THERMAL TERRACE DOORS OUTSWING DOOR STANDARD DETAILS

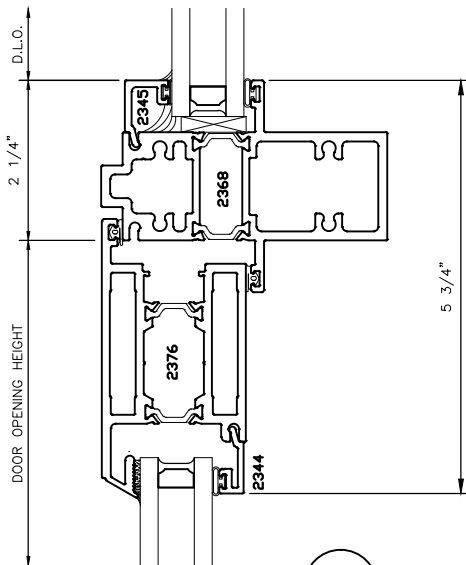
\* MINIMUM RECOMMENDED FOR THERMAL ISOLATION.  
INCREASE AS REQUIRED TO COMPLY WITH SEALANT  
MANUFACTURERS' INSTRUCTIONS



10



12

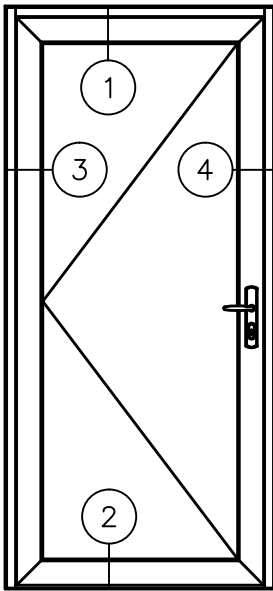


11

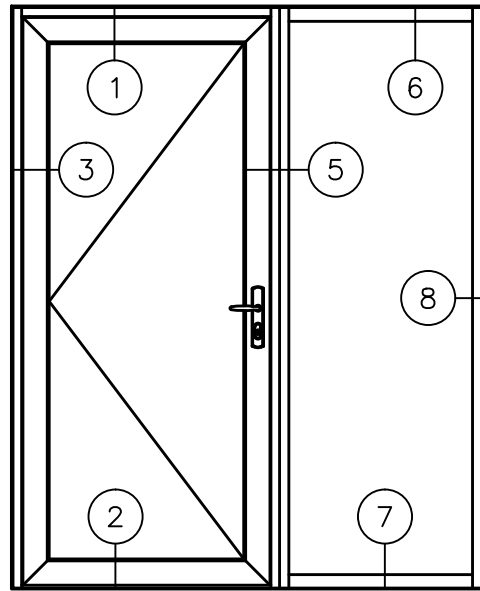


2300i

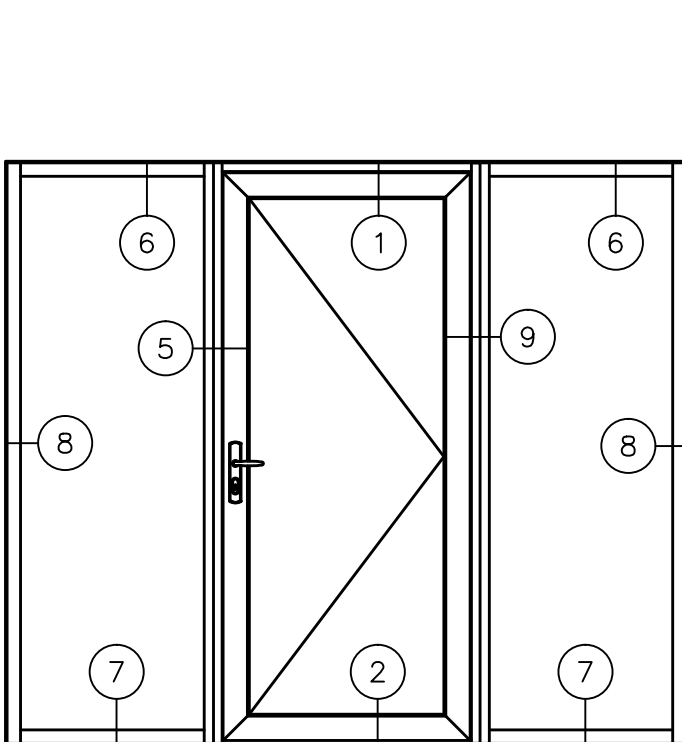
4" THERMAL TERRACE DOORS  
OUTSWING DOOR  
TRIPLE PANE DETAILS



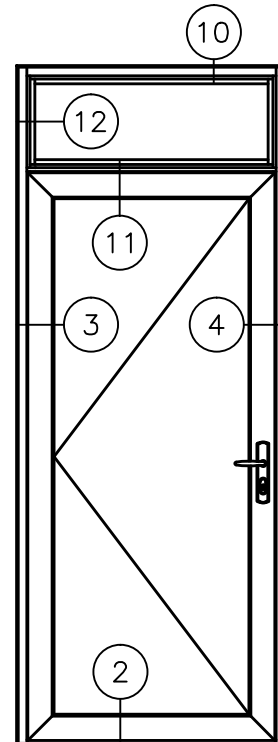
SINGLE DOOR  
WITHOUT TRANSOM  
STANDARD CONFIGURATION



SINGLE DOOR  
WITHOUT 3527i SIDELITE  
STANDARD CONFIGURATION



SINGLE DOOR  
WITH 3527i SIDELITES  
STANDARD CONFIGURATION



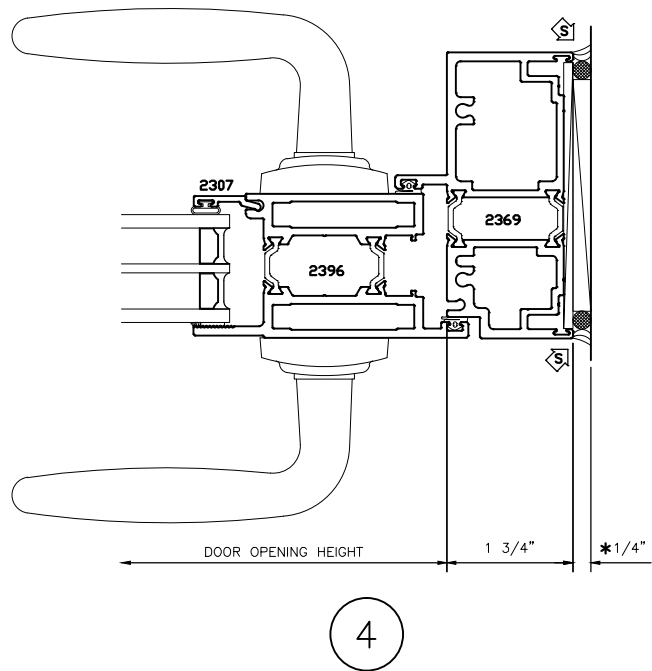
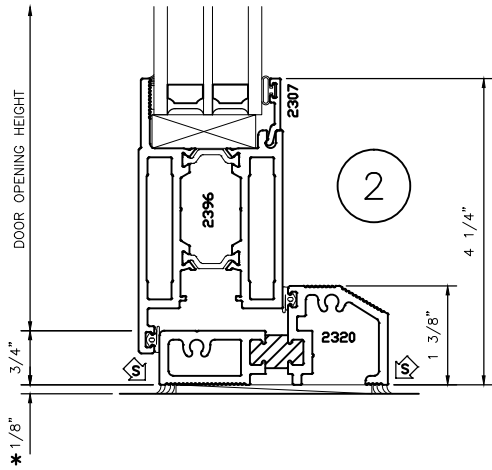
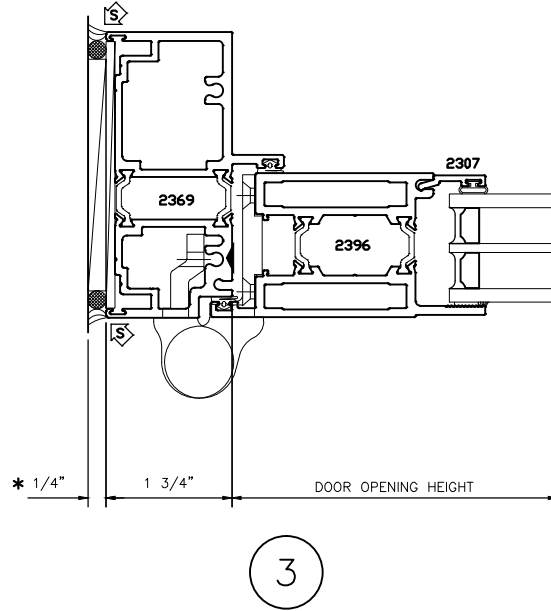
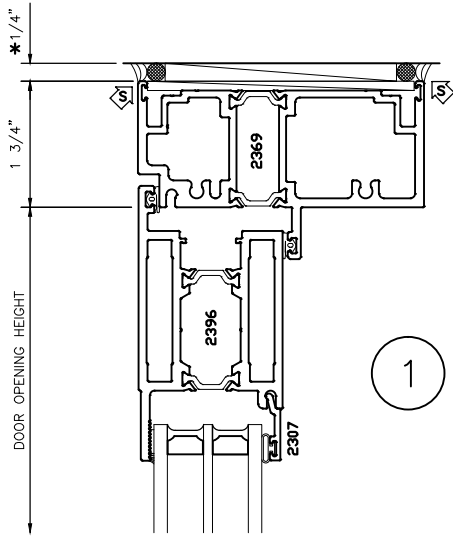
SINGLE DOOR  
WITH TRANSOM  
STANDARD CONFIGURATION



2300i

4" THERMAL TERRACE DOORS  
OUTSWING DOOR  
TRIPLE PANE DETAILS

\* MINIMUM RECOMMENDED FOR THERMAL ISOLATION.  
INCREASE AS REQUIRED TO COMPLY WITH SEALANT  
MANUFACTURERS' INSTRUCTIONS

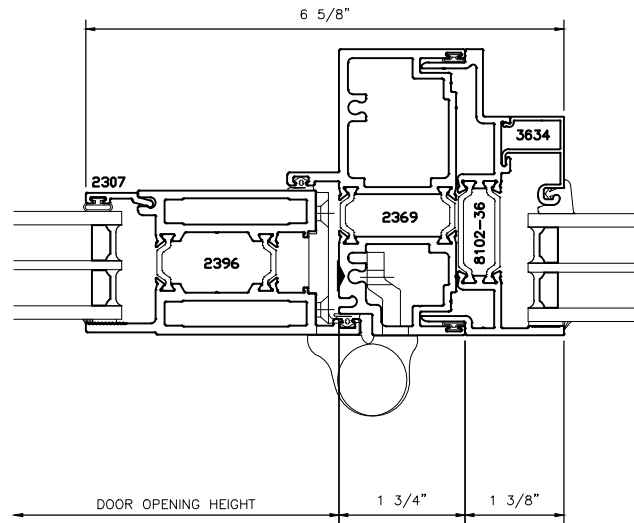
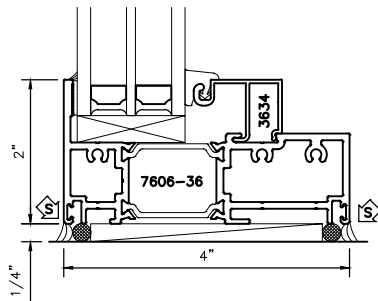
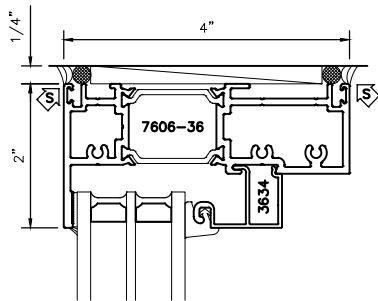
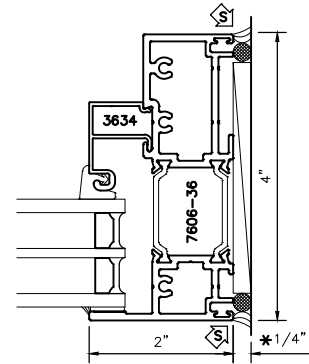
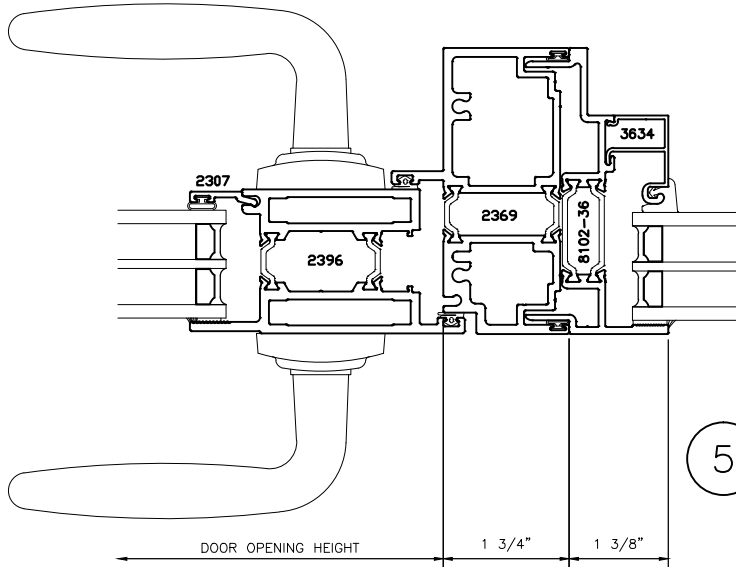




2300i

# 4" THERMAL TERRACE DOORS OUTSWING DOOR TRIPLE PANE DETAILS

\* MINIMUM RECOMMENDED FOR THERMAL ISOLATION.  
INCREASE AS REQUIRED TO COMPLY WITH SEALANT  
MANUFACTURERS' INSTRUCTIONS

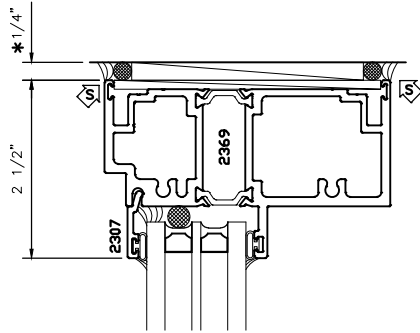




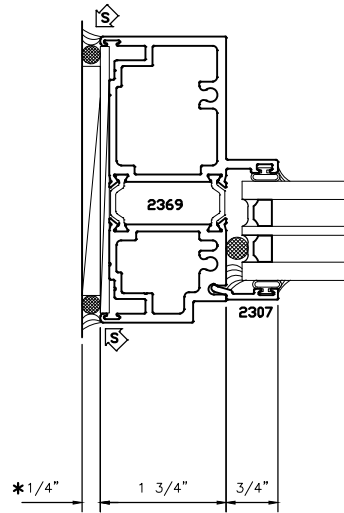
2300i

4" THERMAL TERRACE DOORS  
OUTSWING DOOR  
TRIPLE PANE DETAILS

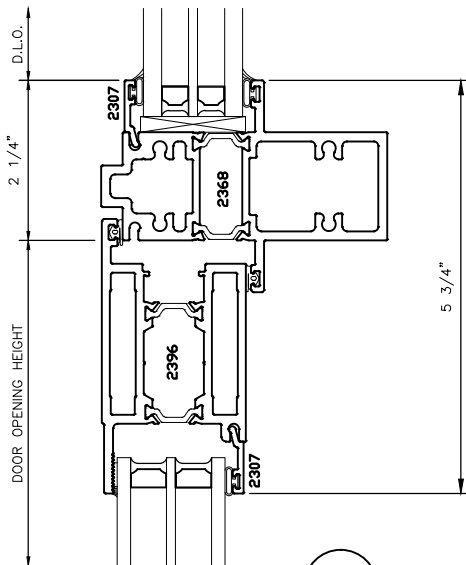
\* MINIMUM RECOMMENDED FOR THERMAL ISOLATION.  
INCREASE AS REQUIRED TO COMPLY WITH SEALANT  
MANUFACTURERS' INSTRUCTIONS



10



12

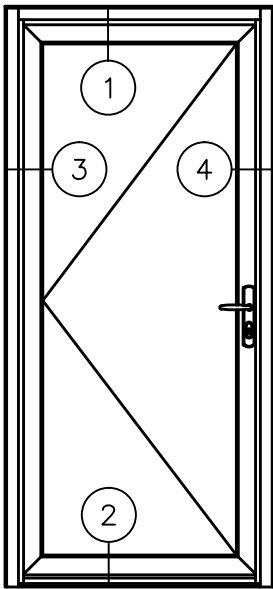


11

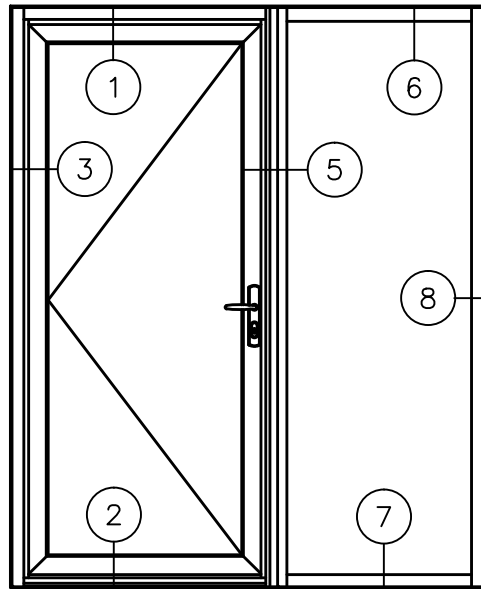


2300i

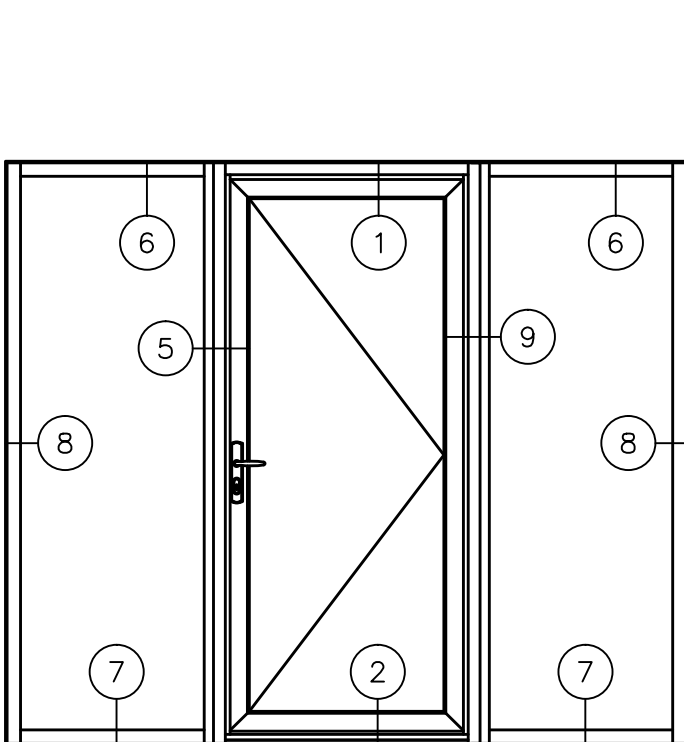
4" THERMAL TERRACE DOOR  
 INSWING DOORS  
 STANDARD DETAILS



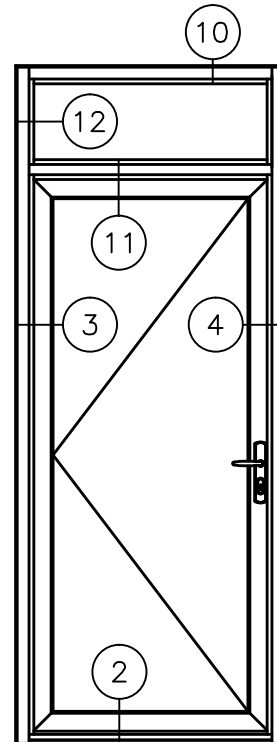
SINGLE DOOR  
 WITHOUT TRANSOM  
 STANDARD CONFIGURATION



SINGLE DOOR  
 WITHOUT 3527i SIDELITE  
 STANDARD CONFIGURATION



SINGLE DOOR  
 WITH 3527i SIDELITES  
 STANDARD CONFIGURATION



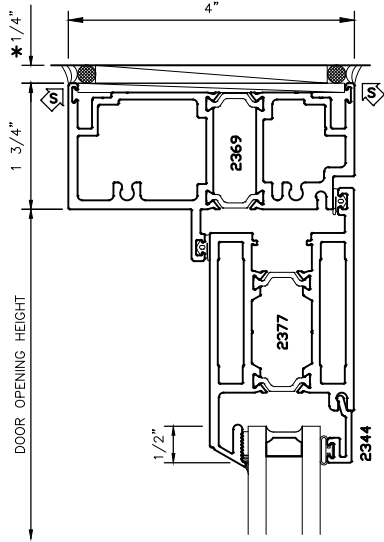
SINGLE DOOR  
 WITH TRANSOM  
 STANDARD CONFIGURATION



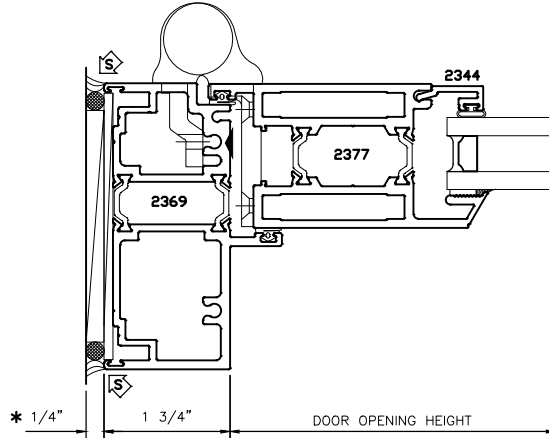
2300i

4" THERMAL TERRACE DOOR  
 INSWING DOORS  
 STANDARD DETAILS

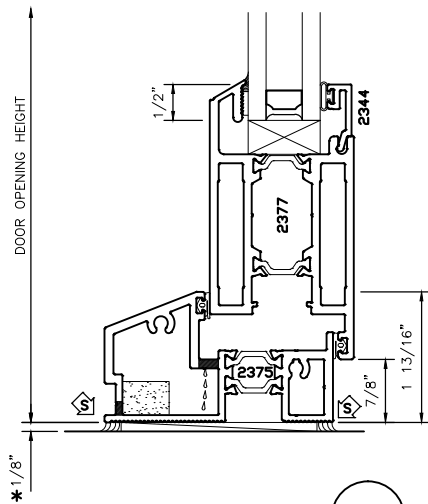
\* MINIMUM RECOMMENDED FOR THERMAL ISOLATION.  
 INCREASE AS REQUIRED TO COMPLY WITH SEALANT  
 MANUFACTURERS' INSTRUCTIONS



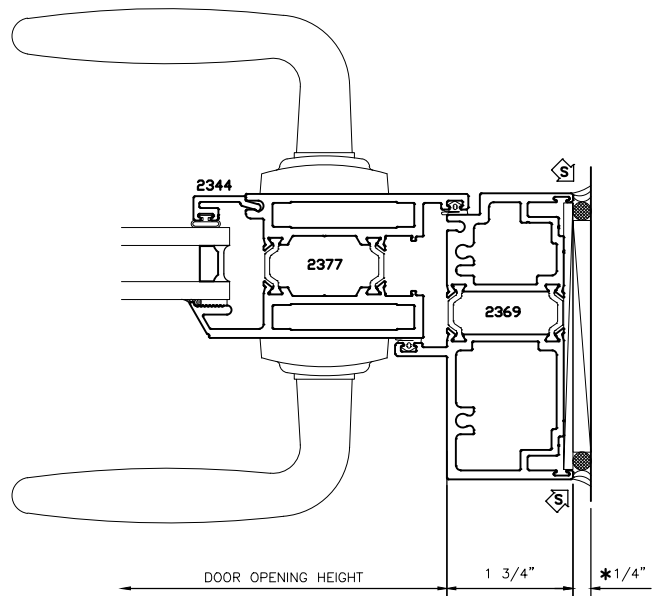
1



3



2



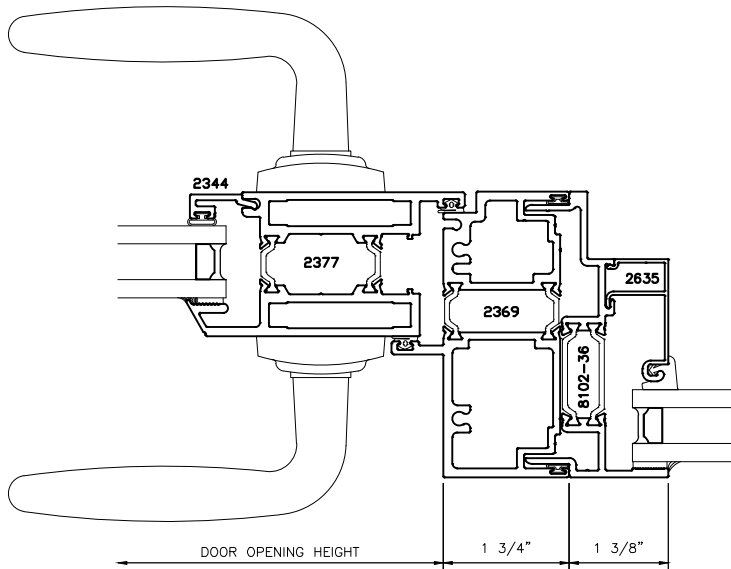
4



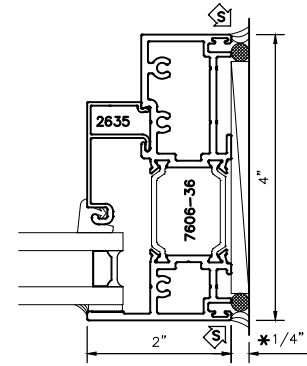
2300i

4" THERMAL TERRACE DOOR  
 INSWING DOORS  
 STANDARD DETAILS

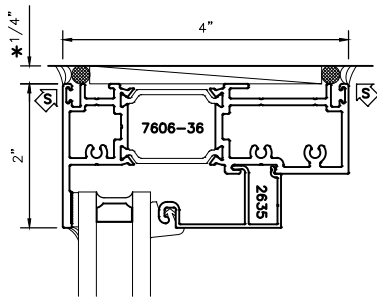
\* MINIMUM RECOMMENDED FOR THERMAL ISOLATION.  
 INCREASE AS REQUIRED TO COMPLY WITH SEALANT  
 MANUFACTURERS' INSTRUCTIONS



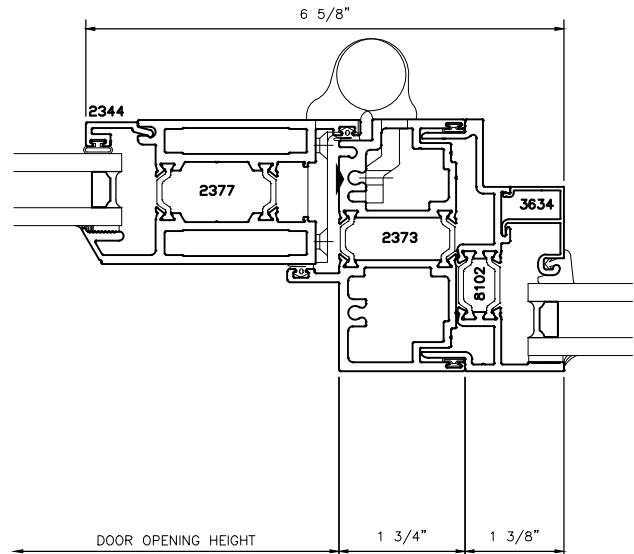
5



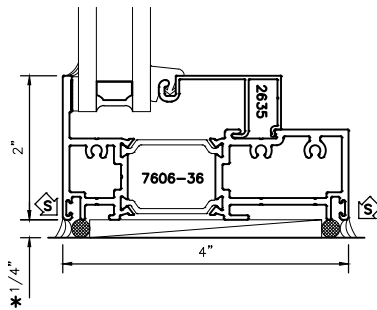
8



6



9



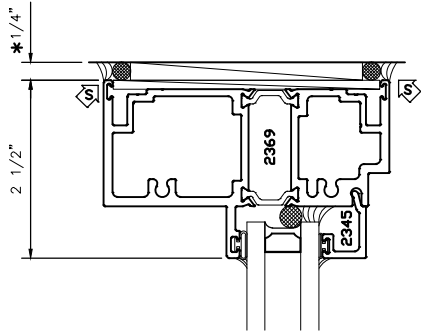
7



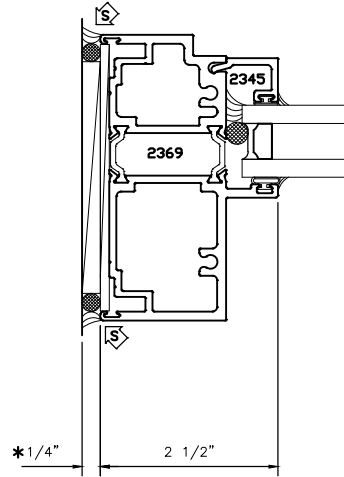
2300i

# 4" THERMAL TERRACE DOOR IN SWING DOORS STANDARD DETAILS

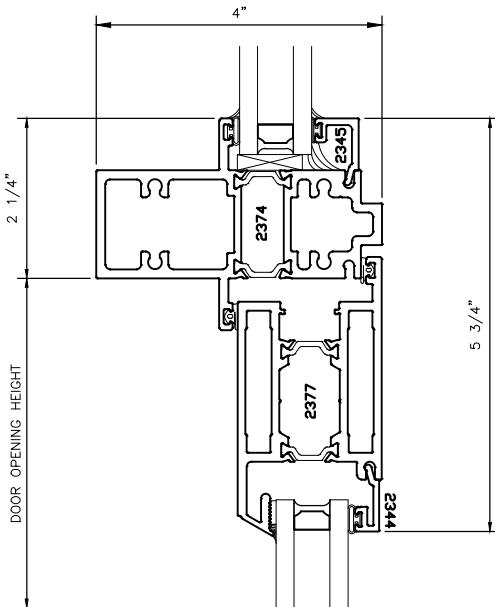
\* MINIMUM RECOMMENDED FOR THERMAL ISOLATION.  
INCREASE AS REQUIRED TO COMPLY WITH SEALANT  
MANUFACTURERS' INSTRUCTIONS



10



12

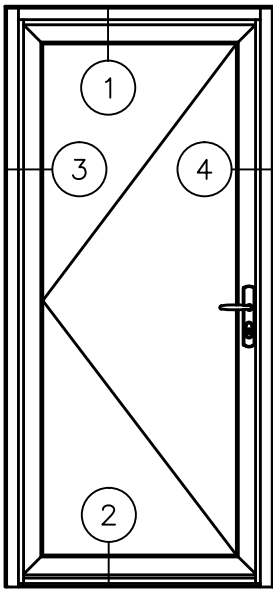


11

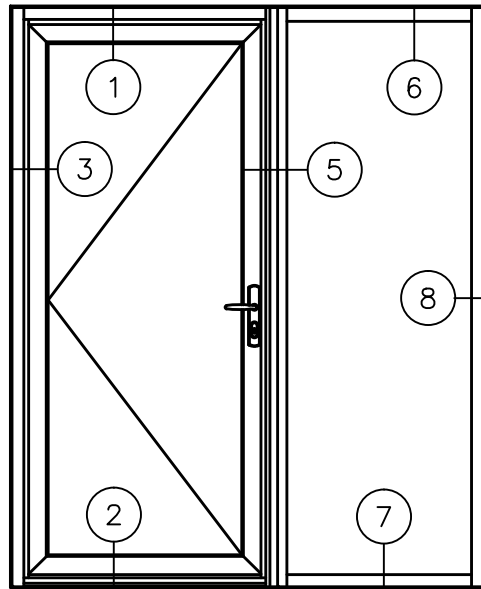


2300i

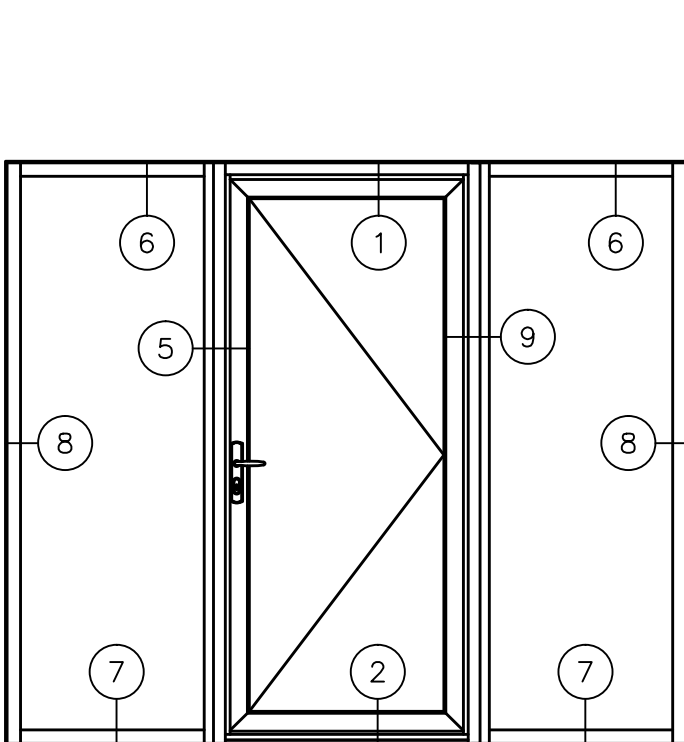
4" THERMAL TERRACE DOOR  
 INSWING DOORS  
 TRIPLE PANE DETAILS



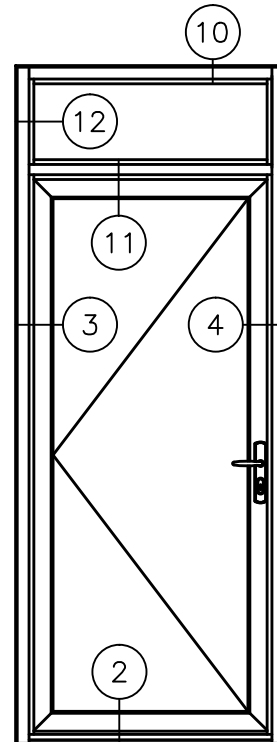
SINGLE DOOR  
 WITHOUT TRANSOM  
 STANDARD CONFIGURATION



SINGLE DOOR  
 WITHOUT 3527i SIDELITE  
 STANDARD CONFIGURATION



SINGLE DOOR  
 WITH 3527i SIDELITES  
 STANDARD CONFIGURATION



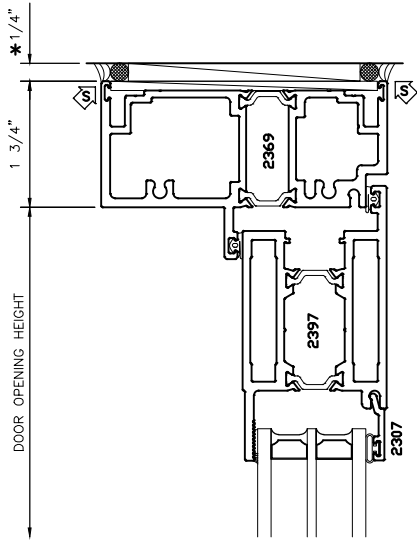
SINGLE DOOR  
 WITH TRANSOM  
 STANDARD CONFIGURATION



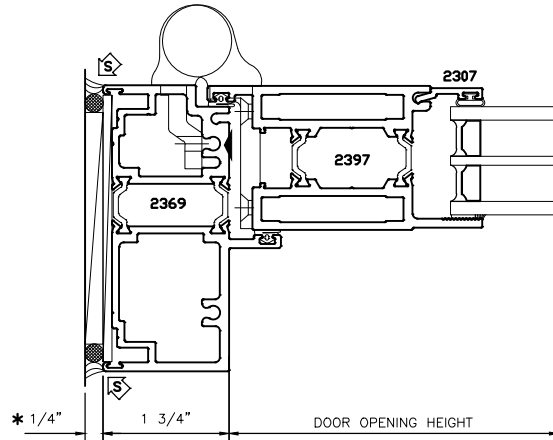
2300i

4" THERMAL TERRACE DOOR  
 INSWING DOORS  
 TRIPLE PANE DETAILS

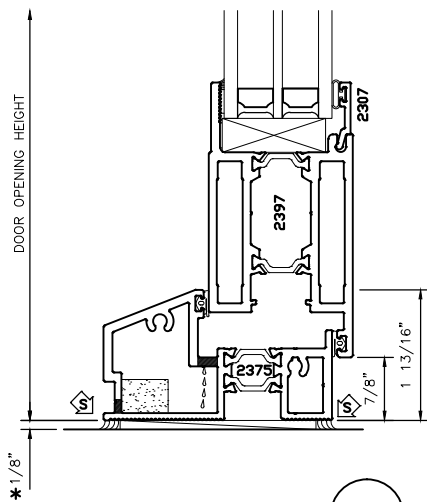
\* MINIMUM RECOMMENDED FOR THERMAL ISOLATION.  
 INCREASE AS REQUIRED TO COMPLY WITH SEALANT  
 MANUFACTURERS' INSTRUCTIONS



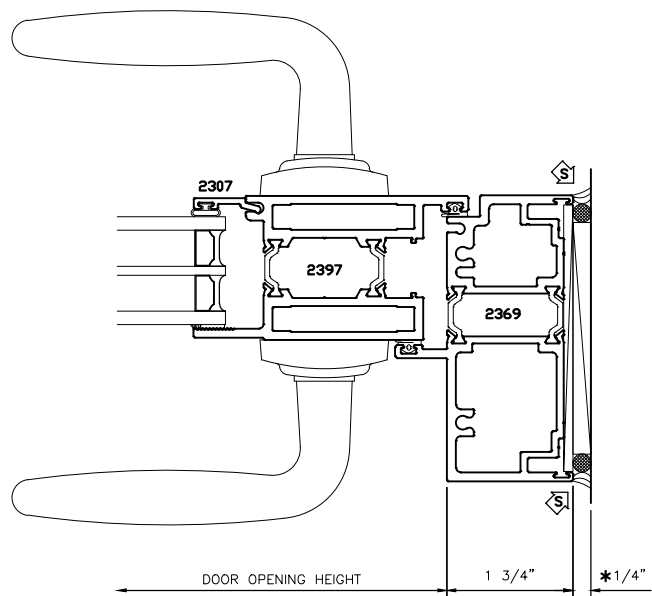
1



3



2



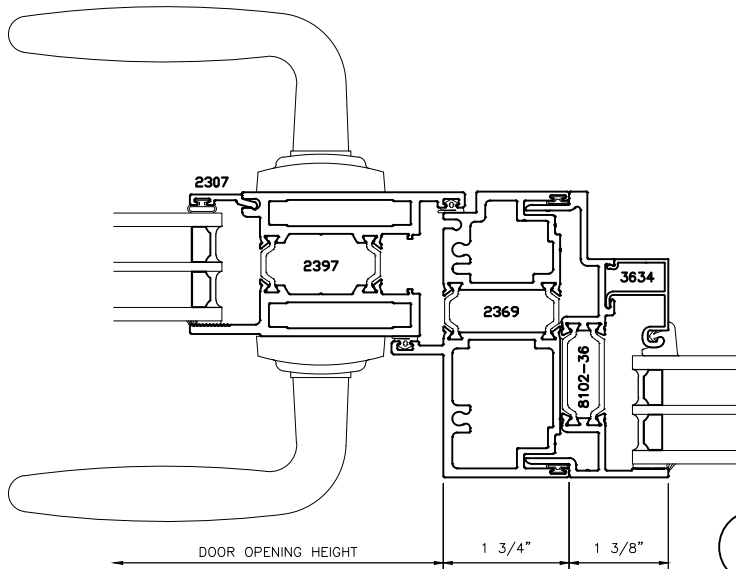
4



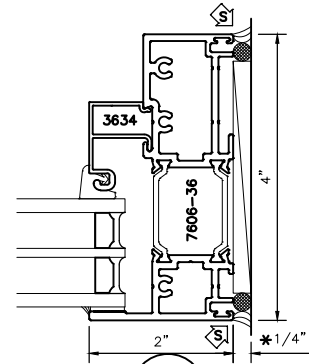
2300i

4" THERMAL TERRACE DOOR  
INSWING DOORS  
TRIPLE PANE DETAILS

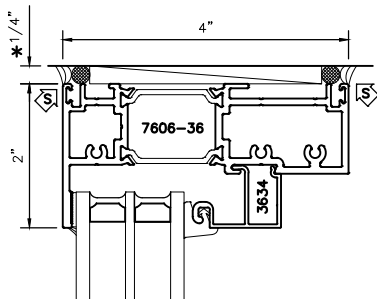
\* MINIMUM RECOMMENDED FOR THERMAL ISOLATION.  
INCREASE AS REQUIRED TO COMPLY WITH SEALANT  
MANUFACTURERS' INSTRUCTIONS



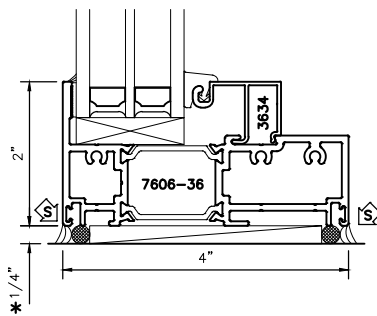
5



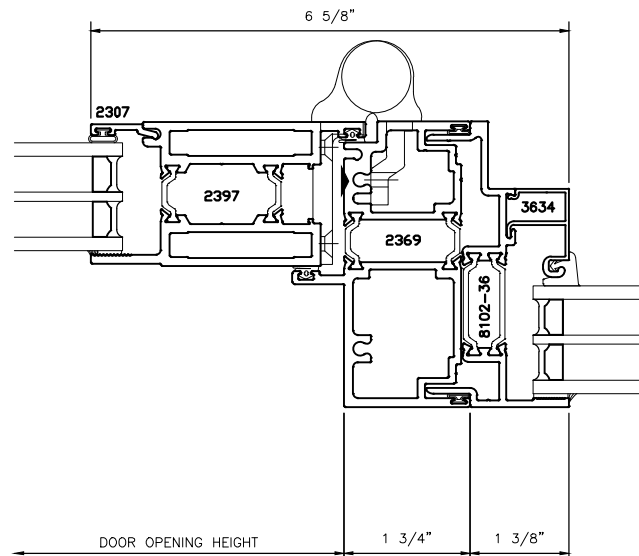
8



6



7



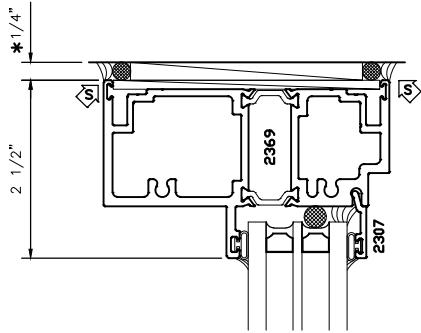
9



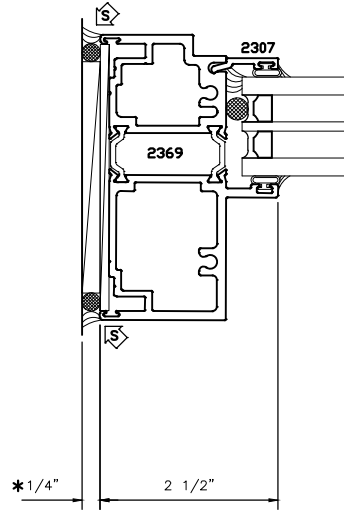
2300i

# 4" THERMAL TERRACE DOOR IN SWING DOORS TRIPLE PANE DETAILS

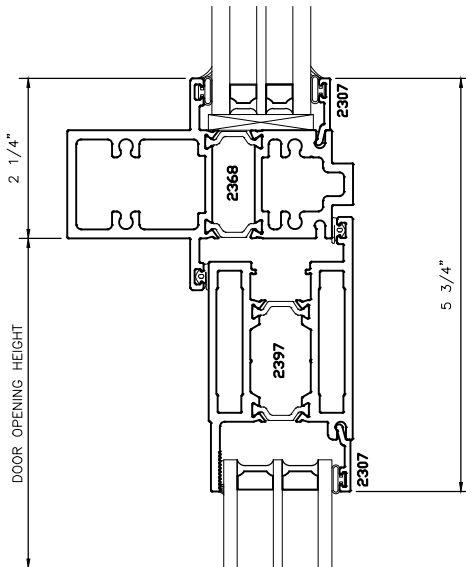
\* MINIMUM RECOMMENDED FOR THERMAL ISOLATION.  
INCREASE AS REQUIRED TO COMPLY WITH SEALANT  
MANUFACTURERS' INSTRUCTIONS



10



12



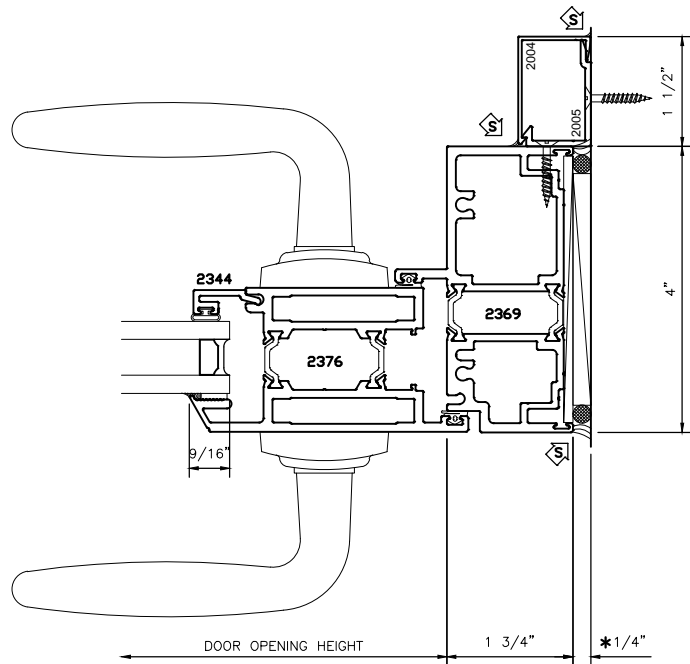
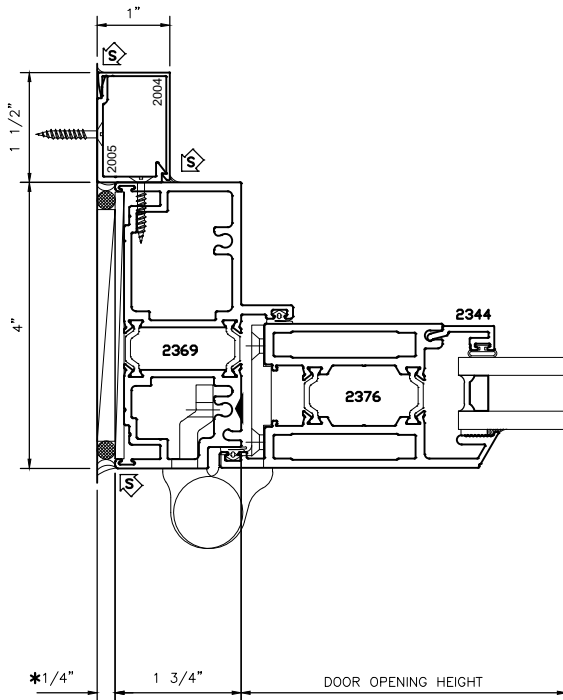
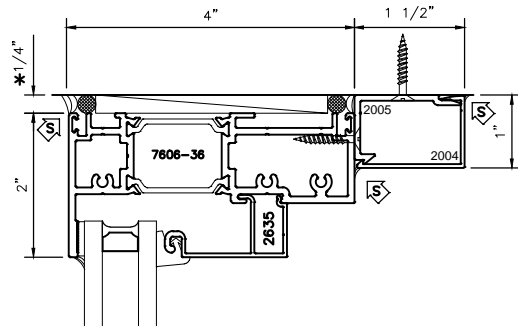
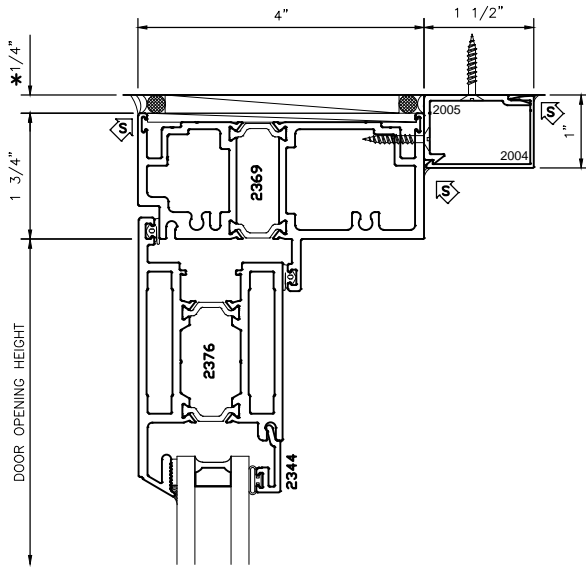
11



2300i

4" THERMAL TERRACE DOORS  
 OPTIONAL SNAP TRIM  
 ANCHORING DETAILS

\* MINIMUM RECOMMENDED FOR THERMAL ISOLATION.  
 INCREASE AS REQUIRED TO COMPLY WITH SEALANT  
 MANUFACTURERS' INSTRUCTIONS



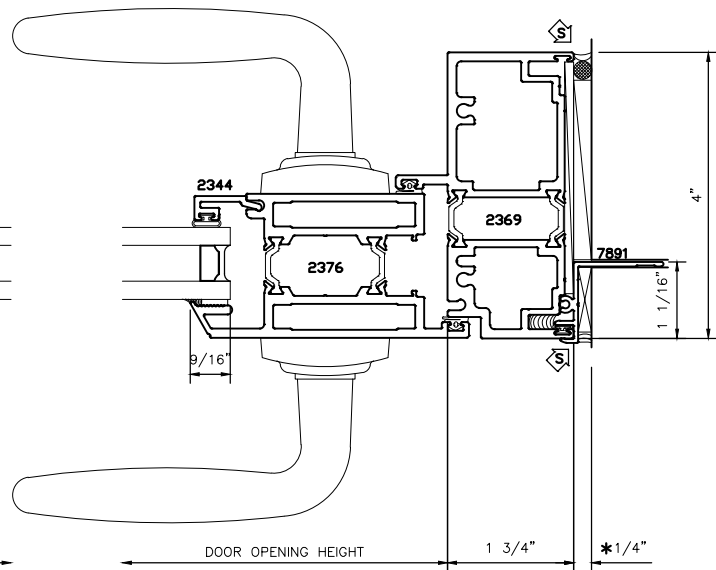
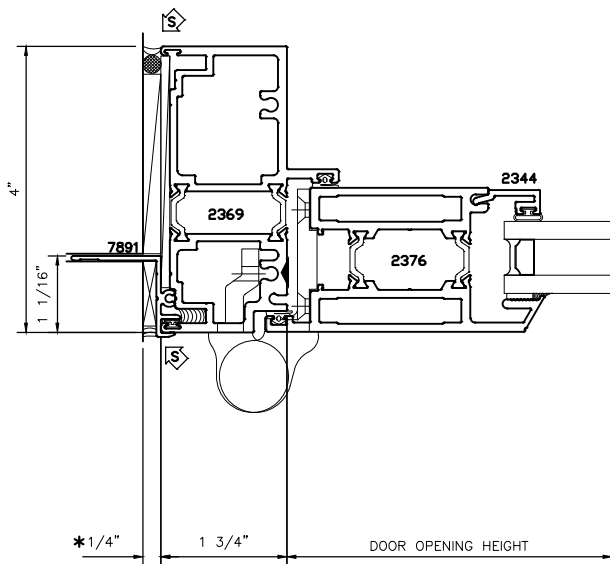
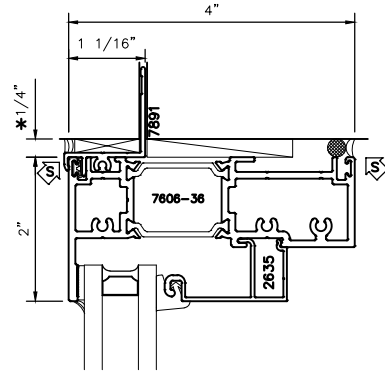
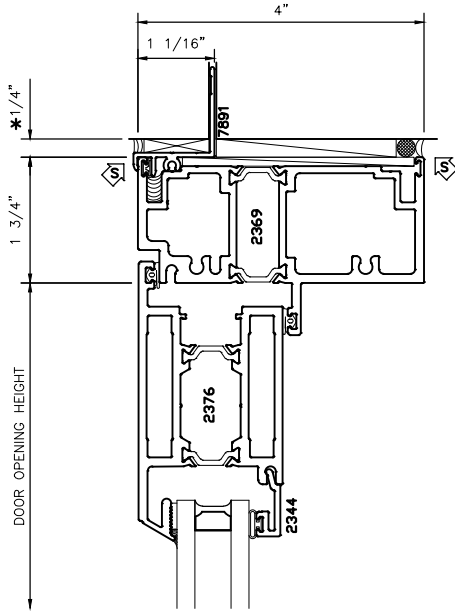
ANCHORING SHOWN WITH 4" OUTSWING DETAILS.



2300i

4" THERMAL TERRACE DOORS  
 OPTIONAL 1 1/16" NAILFIN  
 ANCHORING DETAILS

\* MINIMUM RECOMMENDED FOR THERMAL ISOLATION.  
 INCREASE AS REQUIRED TO COMPLY WITH SEALANT  
 MANUFACTURERS' INSTRUCTIONS



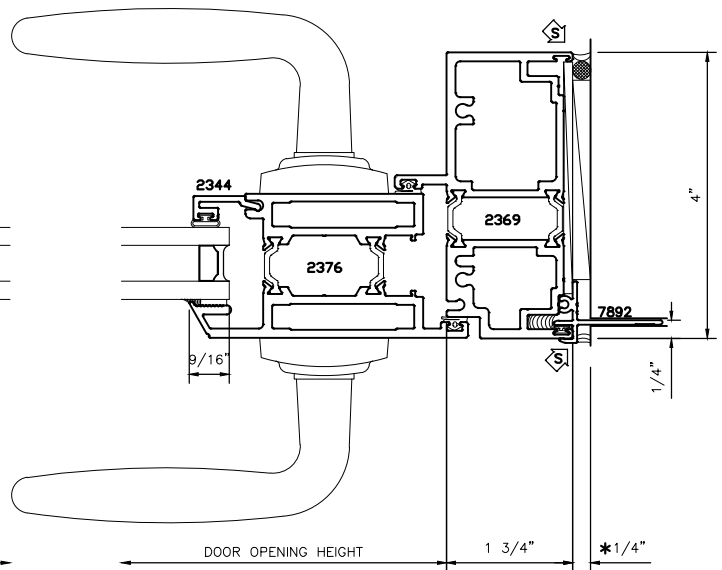
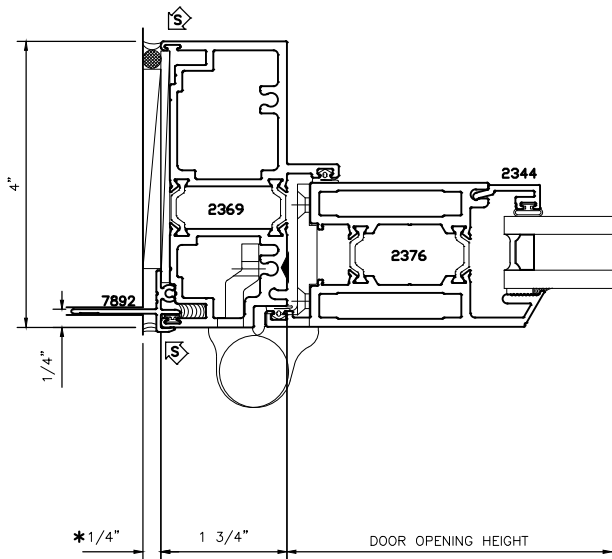
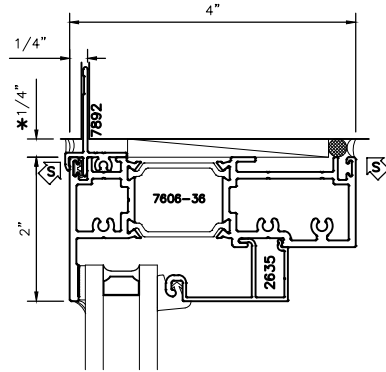
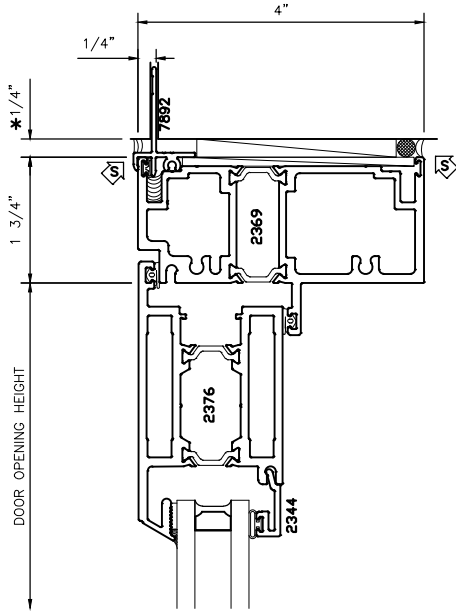
ANCHORING SHOWN WITH 4" OUTSWING DETAILS.



2300i

4" THERMAL TERRACE DOORS  
 OPTIONAL 1/4" NAILFIN  
 ANCHORING DETAILS

\* MINIMUM RECOMMENDED FOR THERMAL ISOLATION.  
 INCREASE AS REQUIRED TO COMPLY WITH SEALANT  
 MANUFACTURERS' INSTRUCTIONS



ANCHORING SHOWN WITH 4" OUTSWING DETAILS.