



MANKO

WINDOW SYSTEMS INC.

250-250x Series 8" Back Member Details

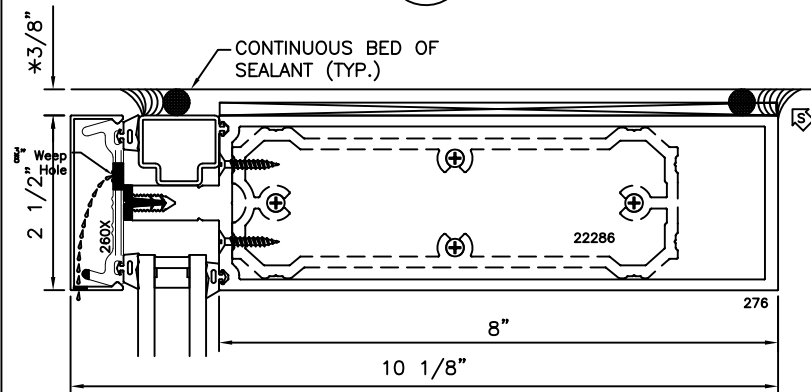
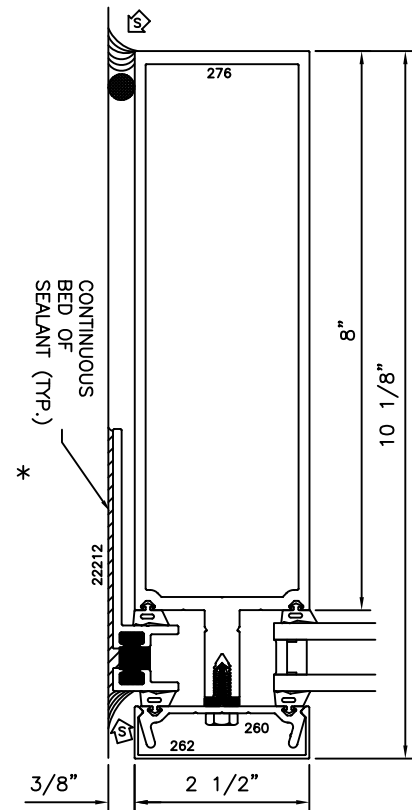
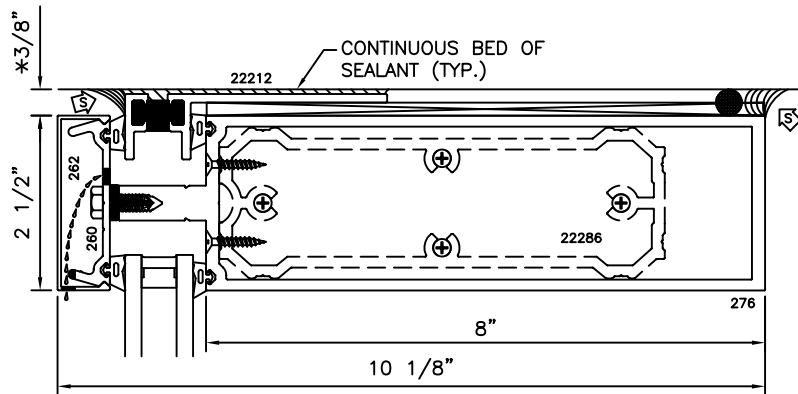
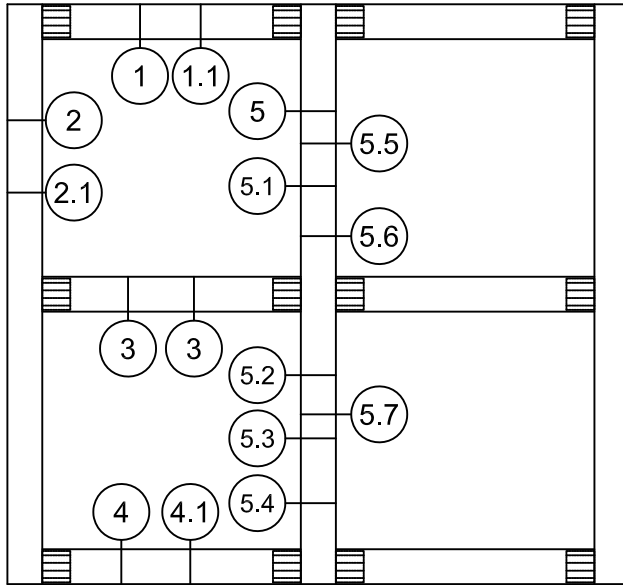
Table of Contents

Standard & Optional Details.....	1-5
F&T Details.....	5-7



2-1/2" X 10-1/8" (8" B. M.) 250 C.W. EXTERIOR GLAZED CURTAIN WALL STANDARD / OPTIONAL DETAILS

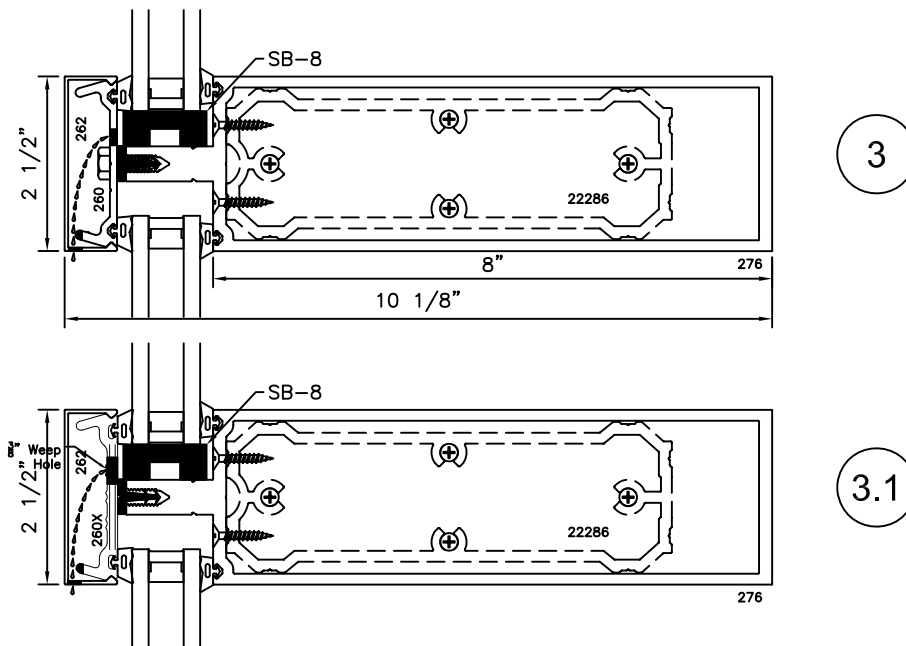
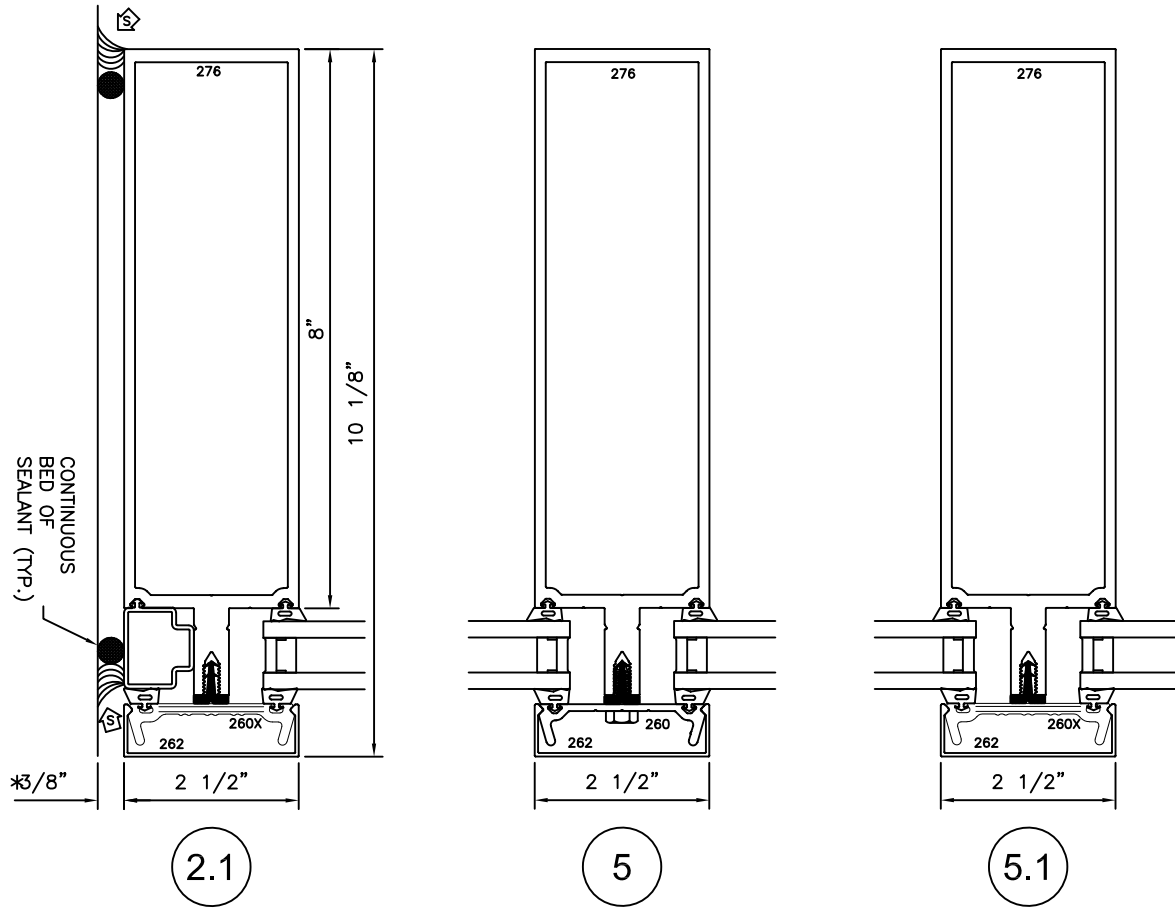
* MINIMUM RECOMMENDED FOR THERMAL ISOLATION.
INCREASE AS REQUIRED TO COMPLY WITH SEALANT
MANUFACTURERS' INSTRUCTIONS





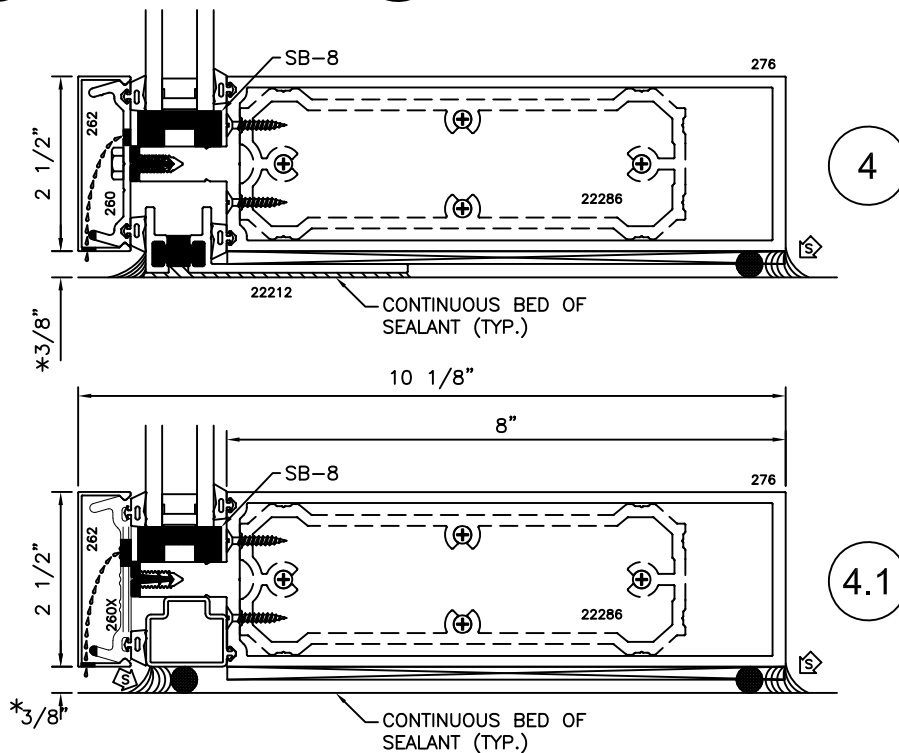
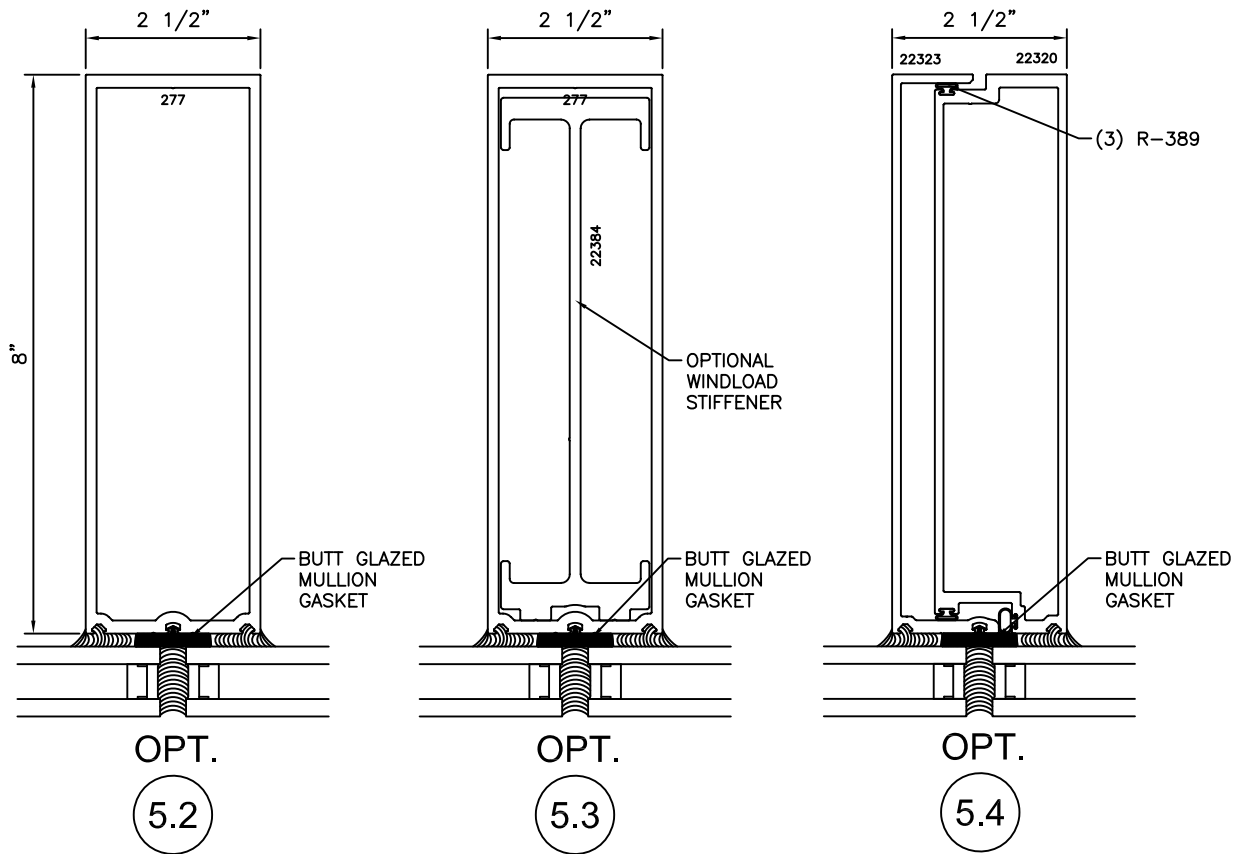
2-1/2" X 10-1/8" (8" B. M.) 250 C.W. EXTERIOR GLAZED CURTAIN WALL STANDARD / OPTIONAL DETAILS

* MINIMUM RECOMMENDED FOR THERMAL ISOLATION. INCREASE AS REQUIRED TO COMPLY WITH SEALANT MANUFACTURERS' INSTRUCTIONS



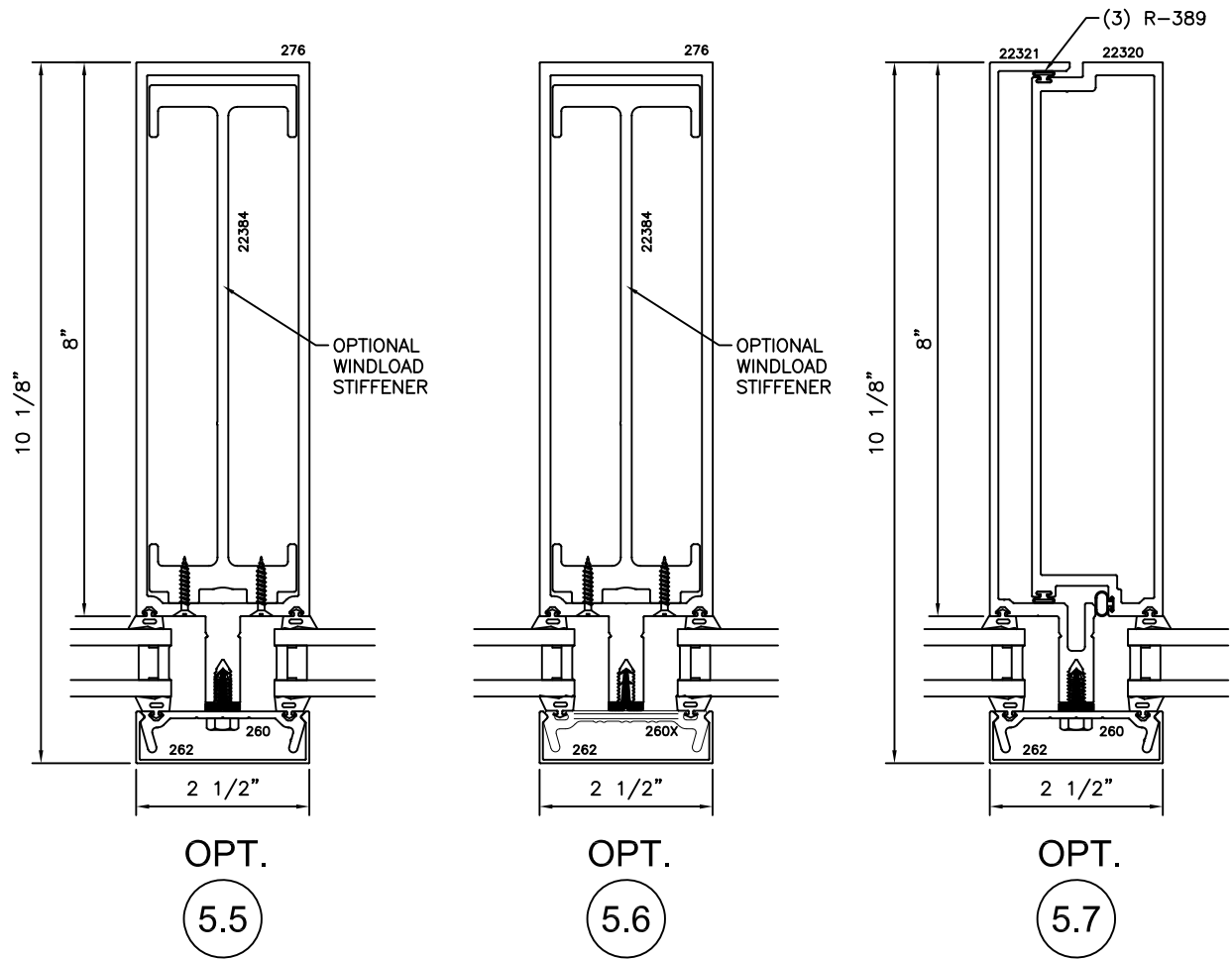


2-1/2" X 10-1/8" (8" B. M.)
250 C.W. EXTERIOR GLAZED CURTAIN WALL
STANDARD / OPTIONAL DETAILS





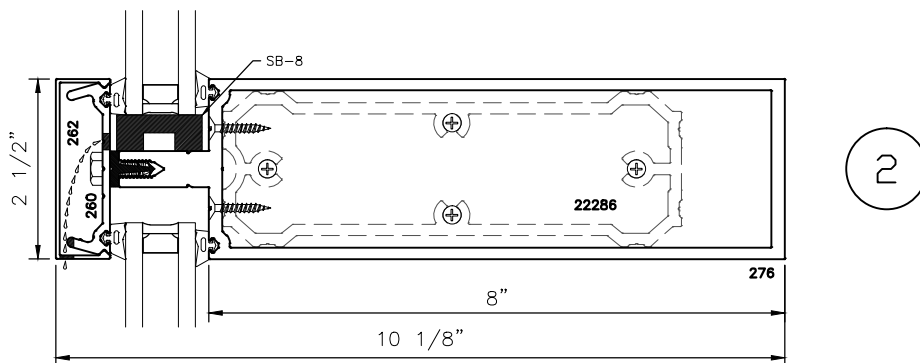
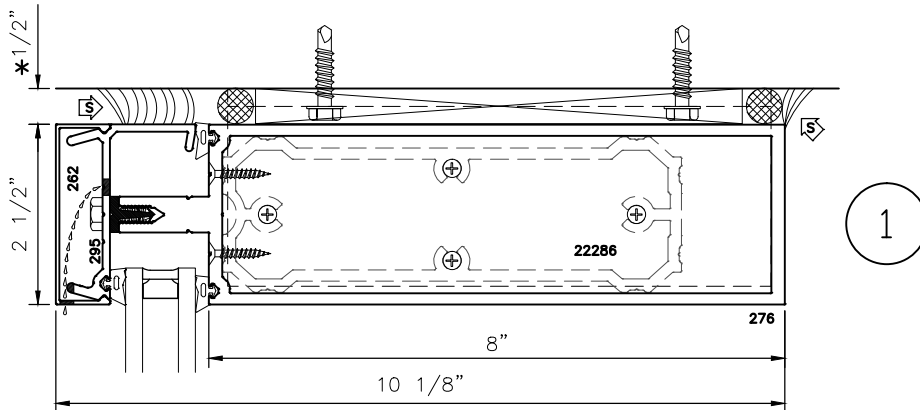
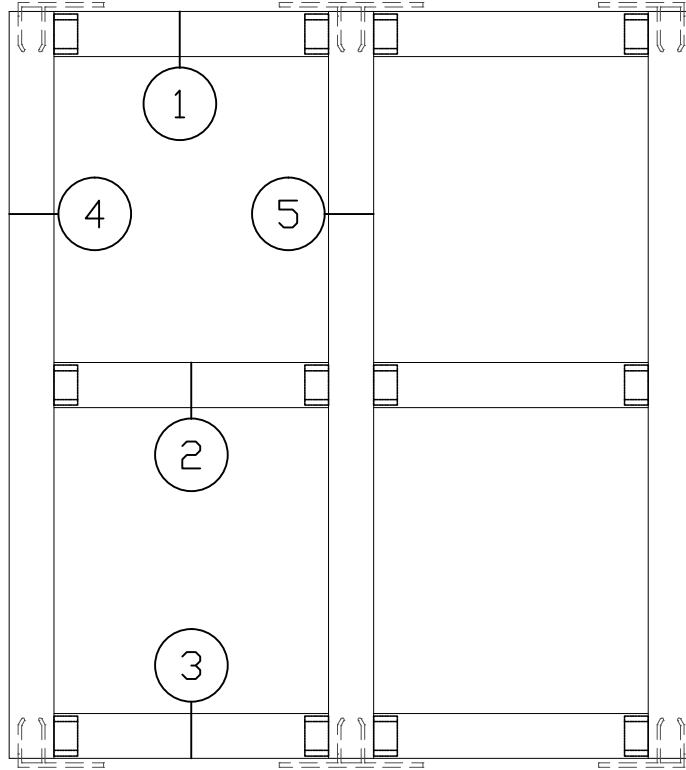
2-1/2" X 10-1/8" (8" B. M.)
250 C.W. EXTERIOR GLAZED CURTAIN WALL
STANDARD / OPTIONAL DETAILS





2-1/2" X 10-1/8" (8" B. M.) 250 C.W. EXTERIOR GLAZED CURTAIN WALL F & T ANCHOR DETAILS

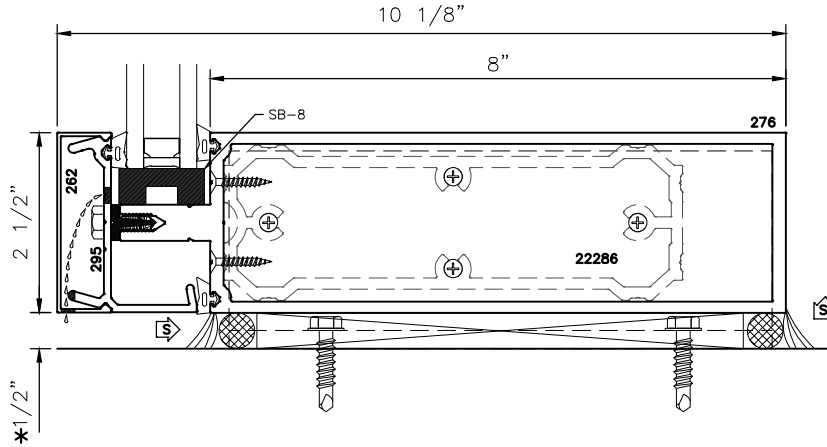
* MINIMUM RECOMMENDED FOR THERMAL ISOLATION.
INCREASE AS REQUIRED TO COMPLY WITH SEALANT
MANUFACTURERS' INSTRUCTIONS





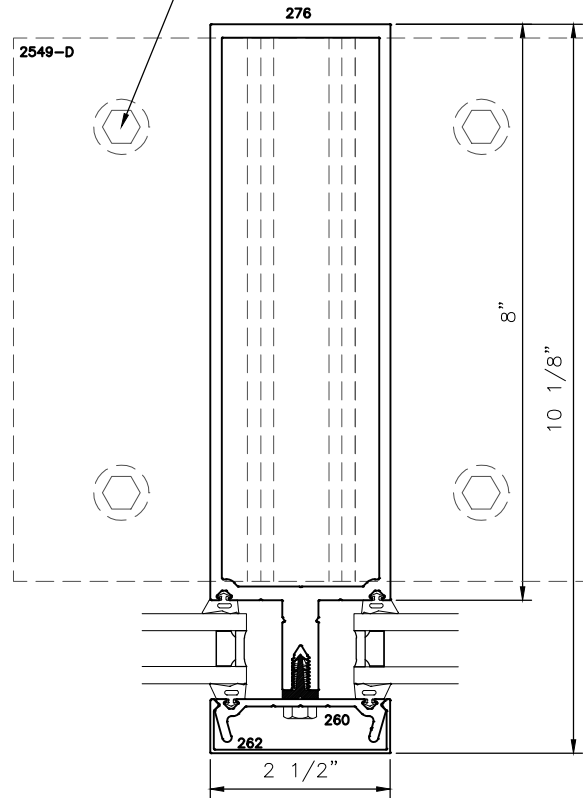
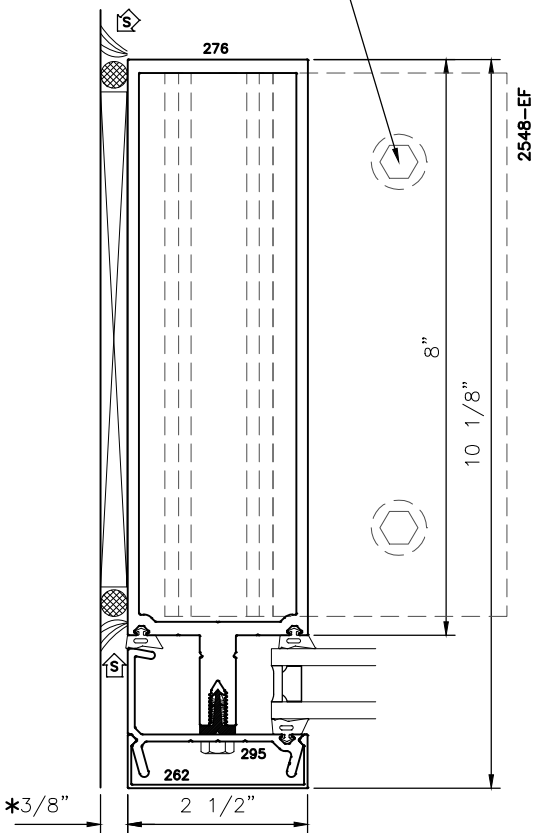
2-1/2" X 10-1/8" (8" B. M.) 250 C.W. EXTERIOR GLAZED CURTAIN WALL F & T ANCHOR DETAILS

* MINIMUM RECOMMENDED FOR THERMAL ISOLATION.
INCREASE AS REQUIRED TO COMPLY WITH SEALANT
MANUFACTURERS' INSTRUCTIONS



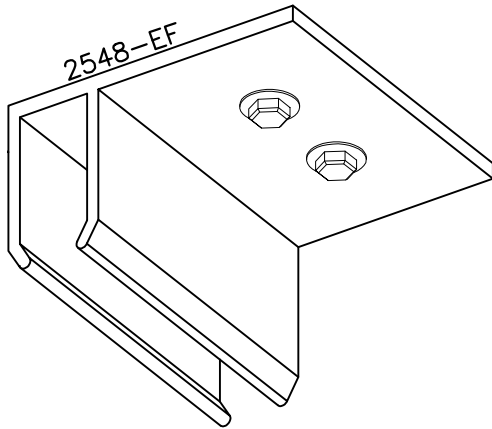
HEX HEAD SS BOLTS
ANCHOR FASTENERS (TYP.).
CONTINUOUS BED OF SEALANT
UNDER "F" & "T" ANCHORS

HEX HEAD SS BOLTS
ANCHOR FASTENERS (TYP.).
CONTINUOUS BED OF SEALANT
UNDER "F" & "T" ANCHORS

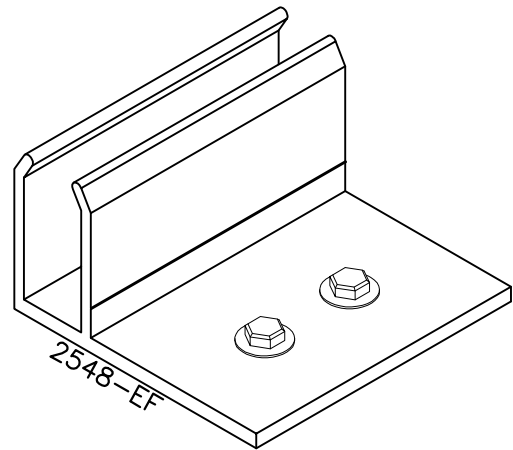




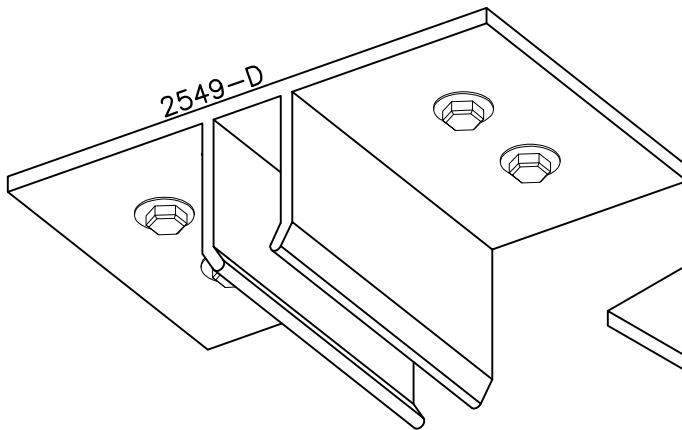
2-1/2" X 10-1/8" (8" B. M.)
250 C.W. EXTERIOR GLAZED CURTAIN WALL
F & T ANCHOR DETAILS



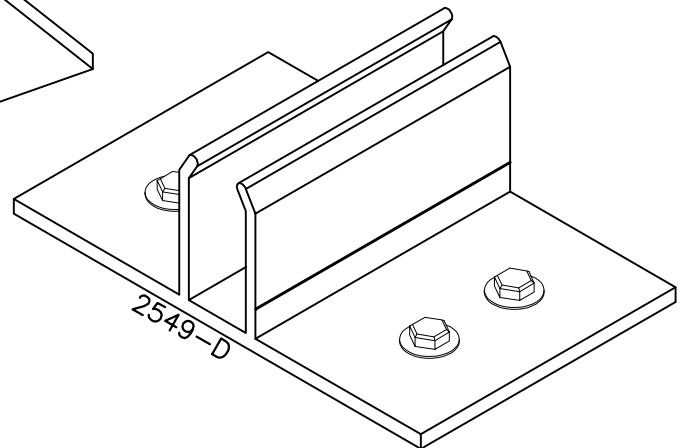
TOP F-ANCHOR



BOTTOM F-ANCHOR



TOP T-ANCHOR



BOTTOM T-ANCHOR