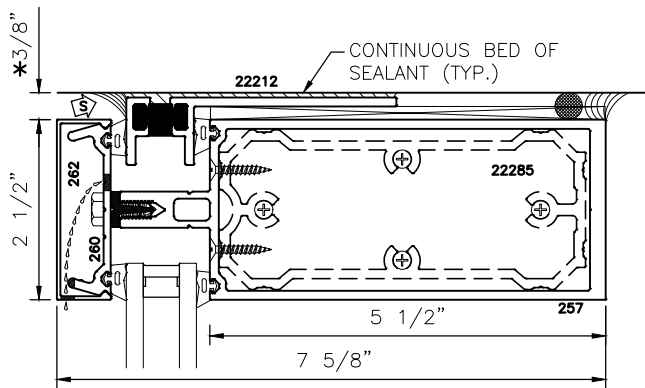
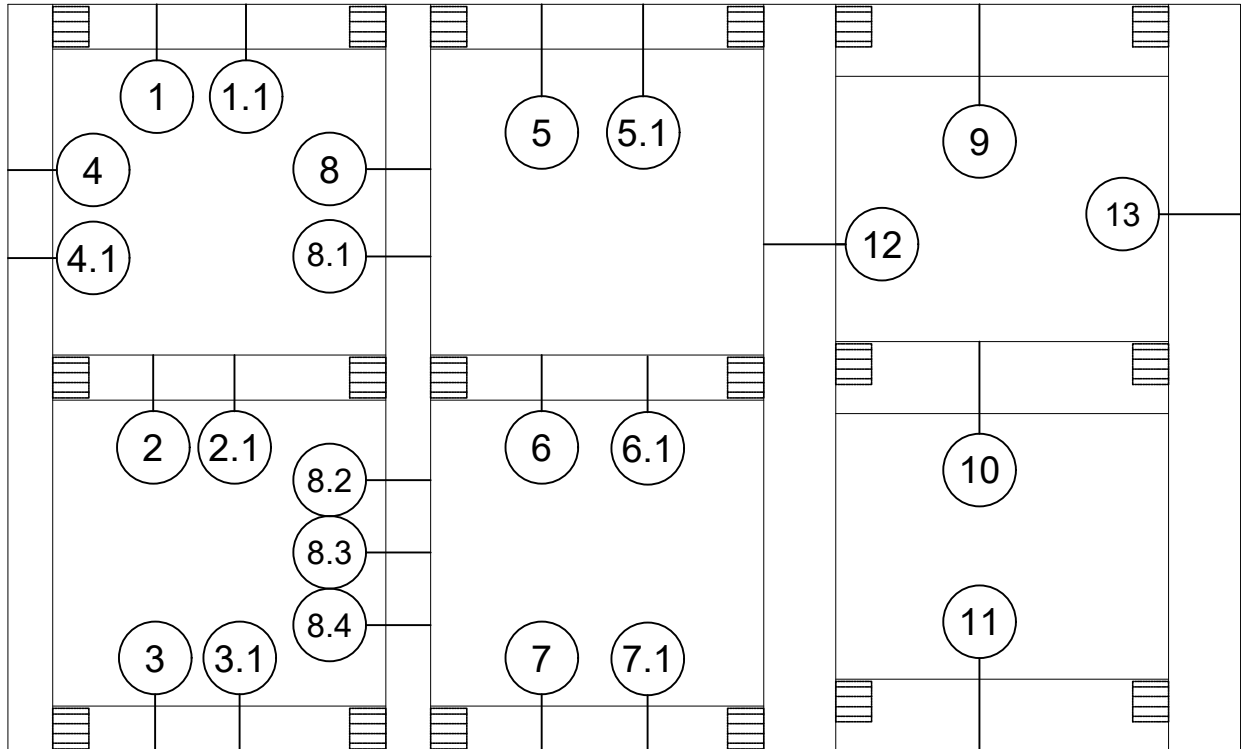


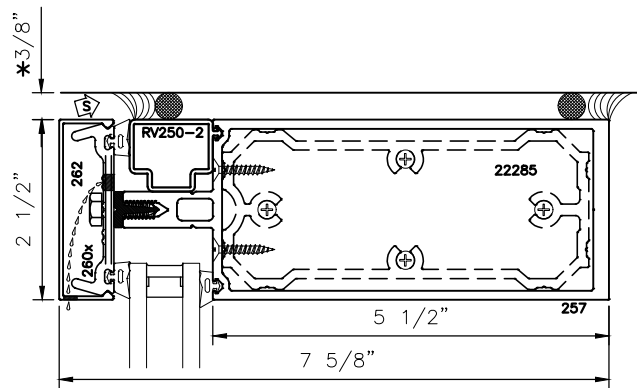


2-1/2" X 7-5/8" (5-1/2" B. M.) 250 C.W. EXTERIOR GLAZED CURTAIN WALL STANDARD / OPTIONAL DETAILS

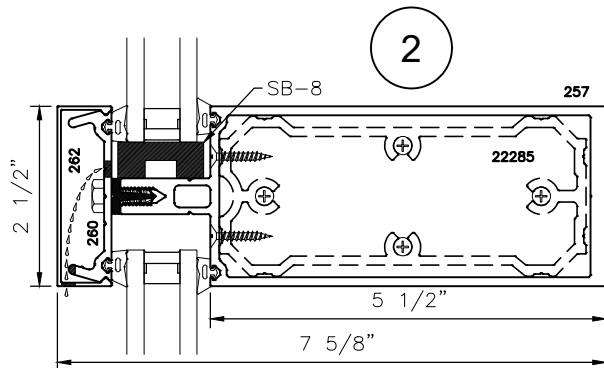
* MINIMUM RECOMMENDED FOR THERMAL ISOLATION.
INCREASE AS REQUIRED TO COMPLY WITH SEALANT
MANUFACTURERS' INSTRUCTIONS



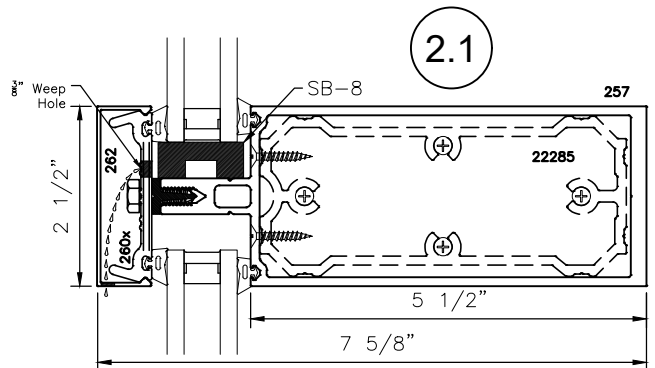
1



1.1



2

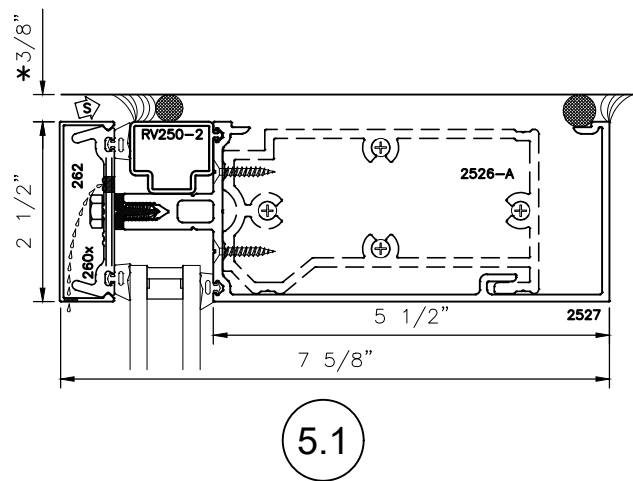
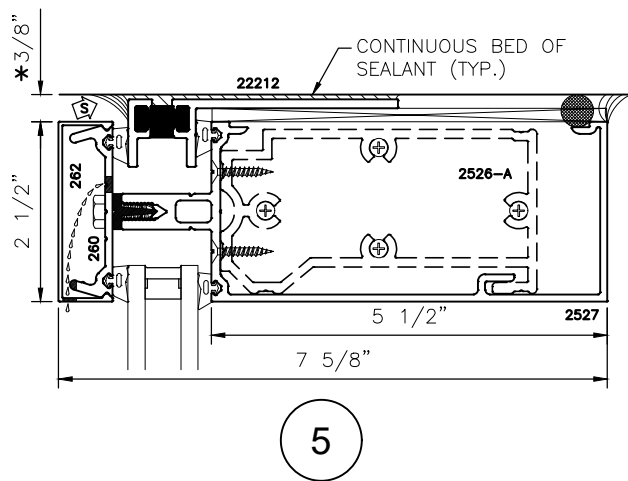
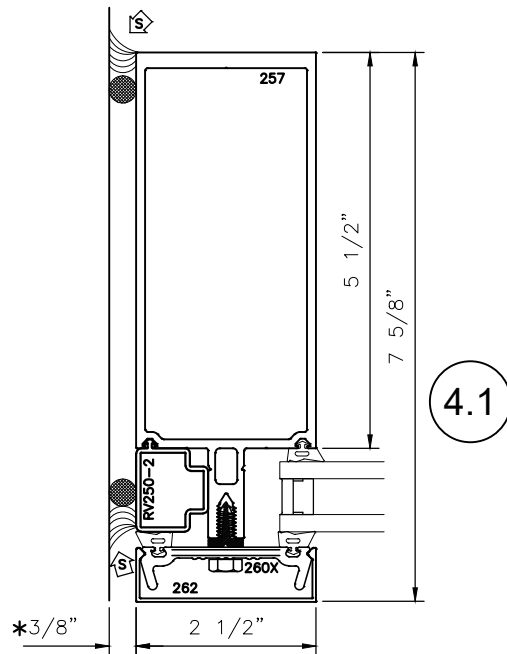
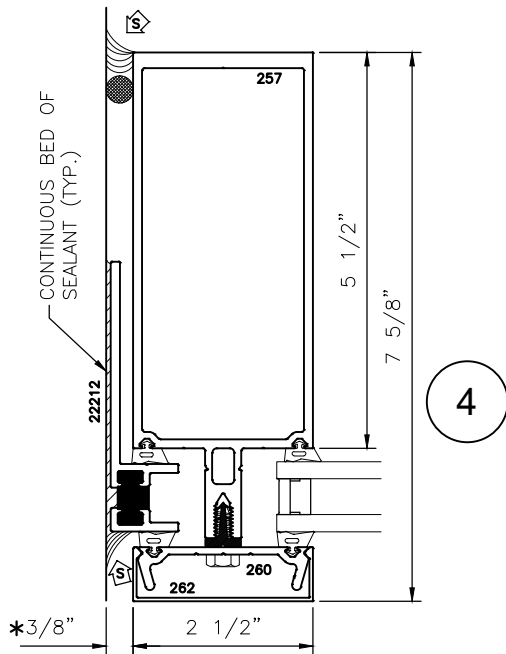
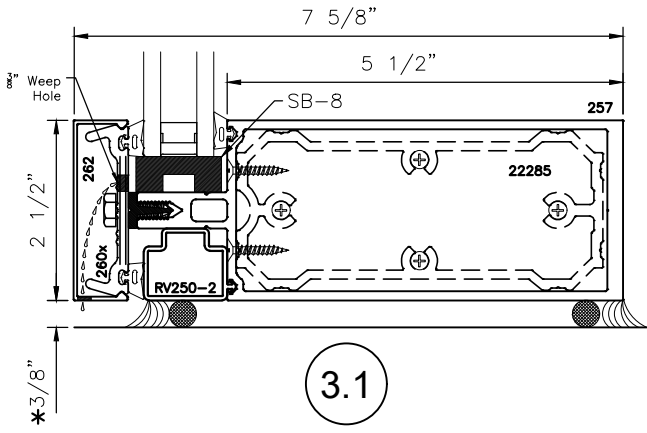
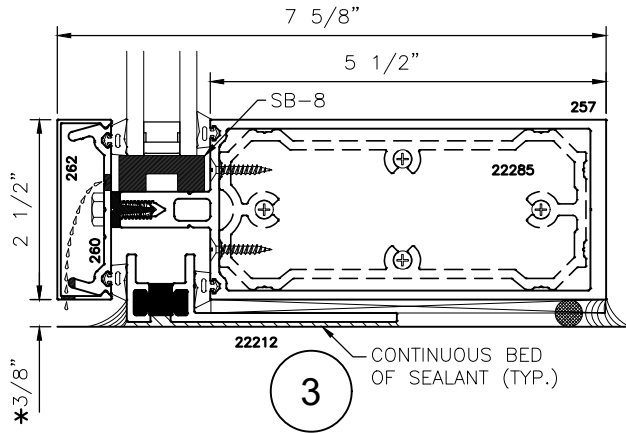


2.1



2-1/2" X 7-5/8" (5 1/2" B. M.) 250 C.W. EXTERIOR GLAZED CURTAIN WALL STANDARD / OPTIONAL DETAILS

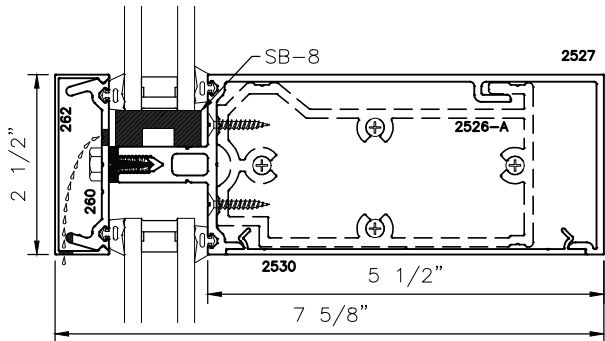
* MINIMUM RECOMMENDED FOR THERMAL ISOLATION.
INCREASE AS REQUIRED TO COMPLY WITH SEALANT
MANUFACTURERS' INSTRUCTIONS



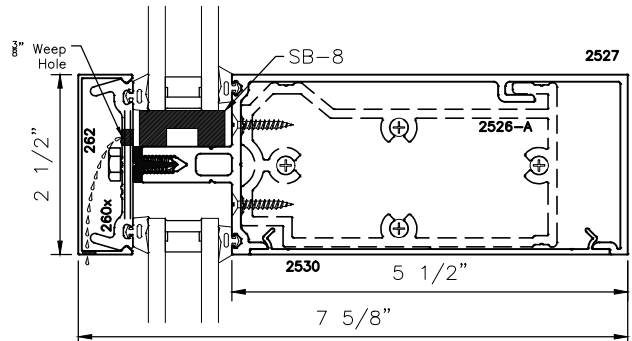


2-1/2" X 7-5/8" (5 1/2" B. M.) 250 C.W. EXTERIOR GLAZED CURTAIN WALL STANDARD / OPTIONAL DETAILS

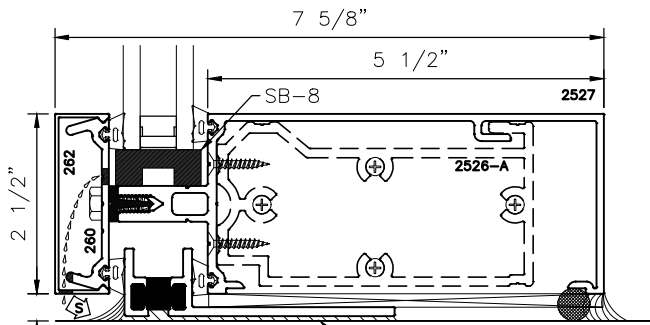
* MINIMUM RECOMMENDED FOR THERMAL ISOLATION.
INCREASE AS REQUIRED TO COMPLY WITH SEALANT
MANUFACTURERS' INSTRUCTIONS



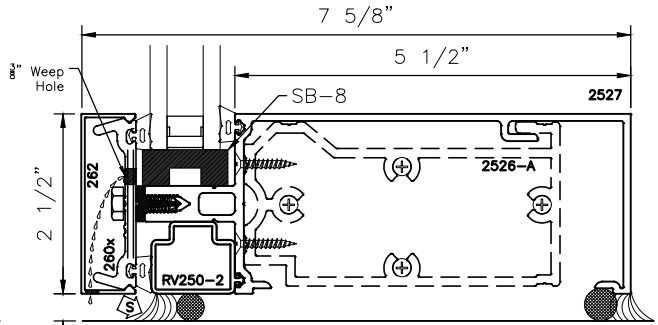
6



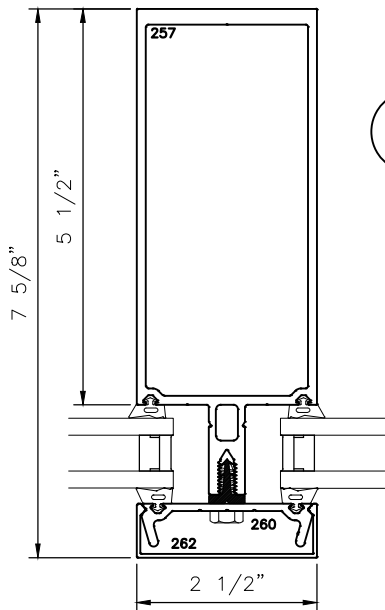
6.1



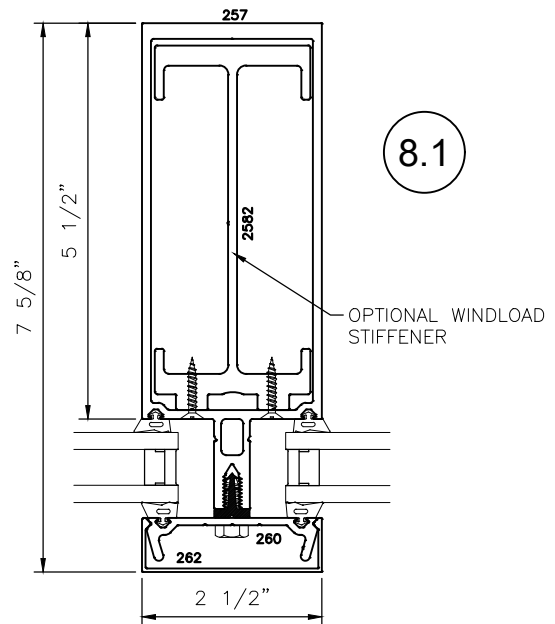
7
CONTINUOUS BED OF SEALANT (TYP.)



7.1



8



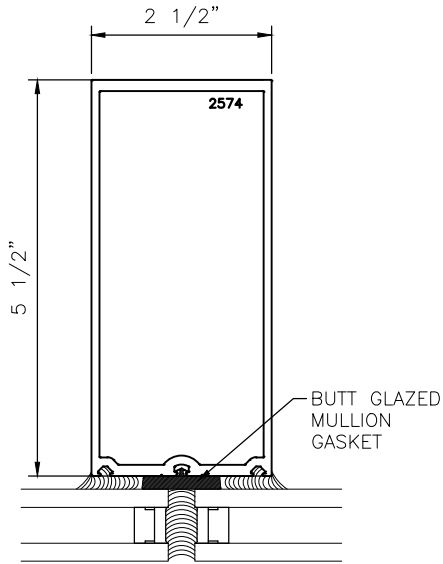
8.1
OPTIONAL WINDLOAD STIFFENER

OPT.

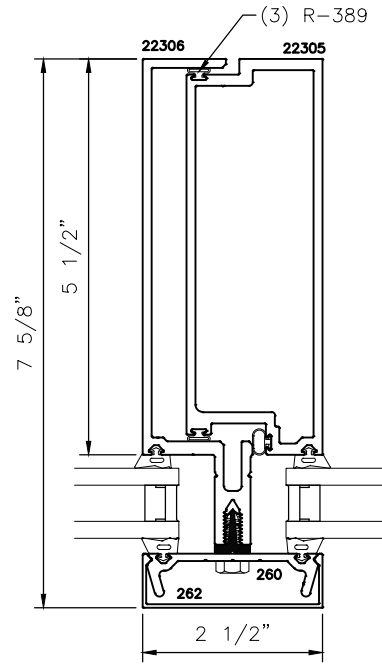


2-1/2" X 7-5/8" (5 1/2" B. M.) 250 C.W. EXTERIOR GLAZED CURTAIN WALL STANDARD/OPTIONAL DETAILS

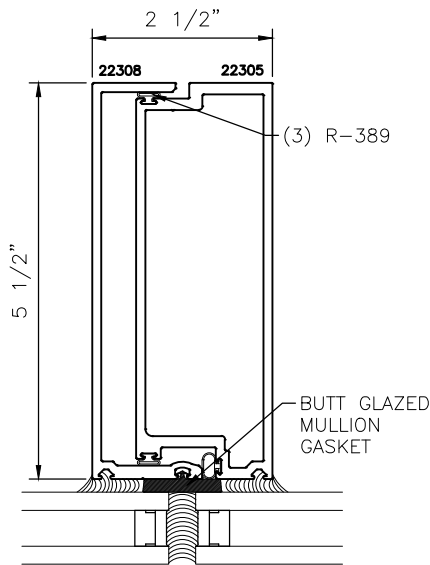
* MINIMUM RECOMMENDED FOR THERMAL ISOLATION.
INCREASE AS REQUIRED TO COMPLY WITH SEALANT
MANUFACTURERS' INSTRUCTIONS



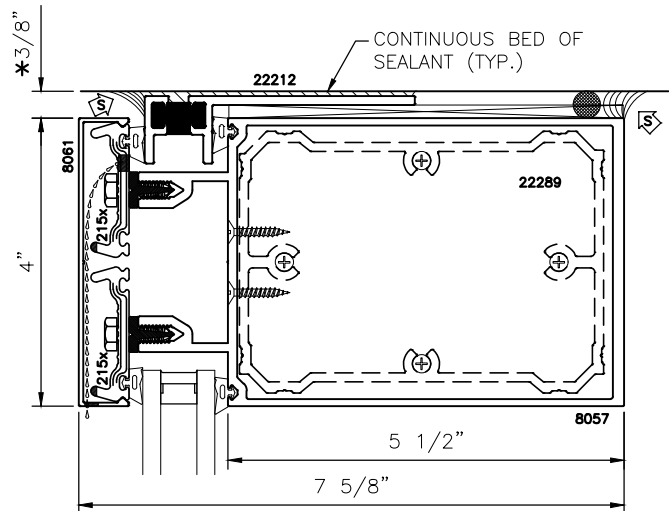
OPT.
8.2



OPT.
8.3



OPT.
8.4

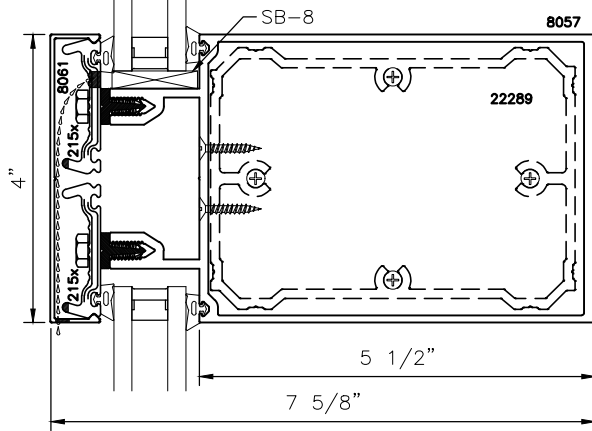


9

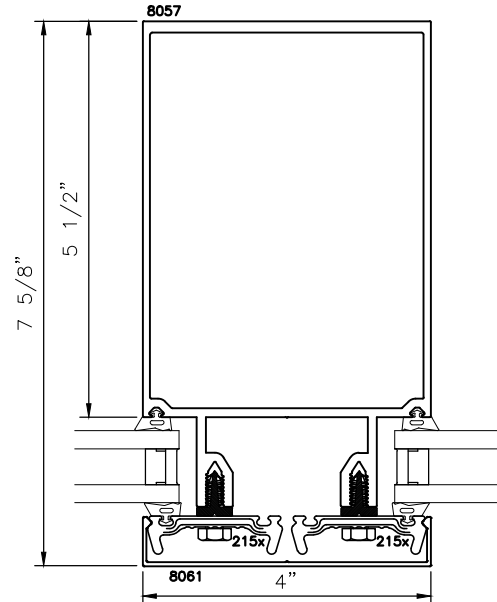


2-1/2" X 7-5/8" (5 1/2" B. M.) 250 C.W. EXTERIOR GLAZED CURTAIN WALL STANDARD / OPTIONAL DETAILS

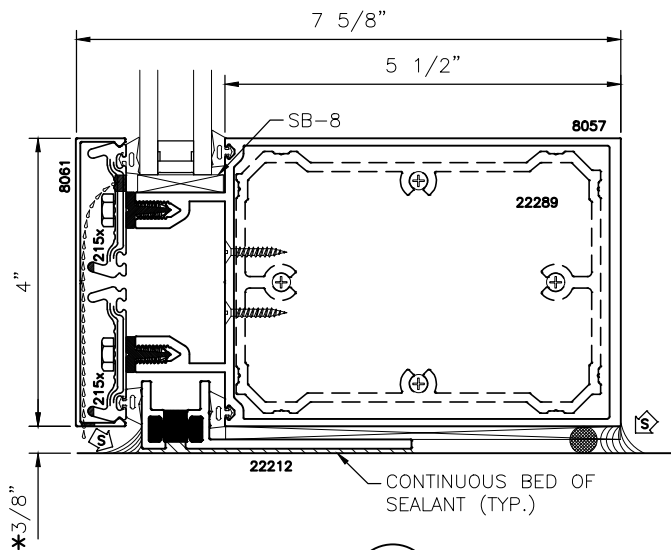
* MINIMUM RECOMMENDED FOR THERMAL ISOLATION.
INCREASE AS REQUIRED TO COMPLY WITH SEALANT
MANUFACTURERS' INSTRUCTIONS



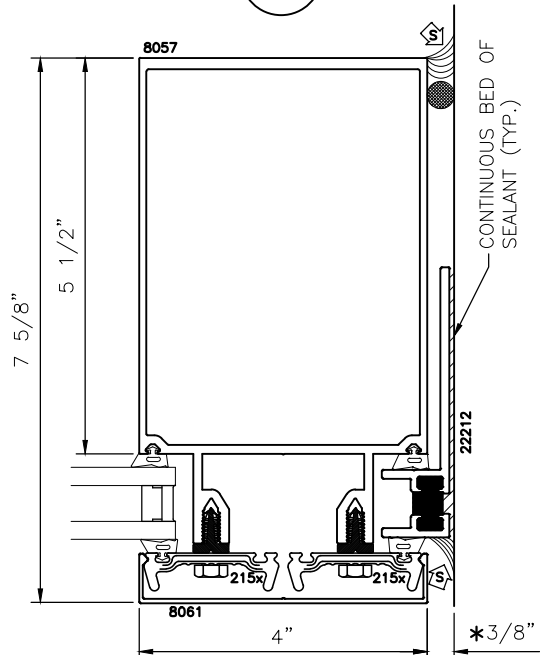
10



12



11



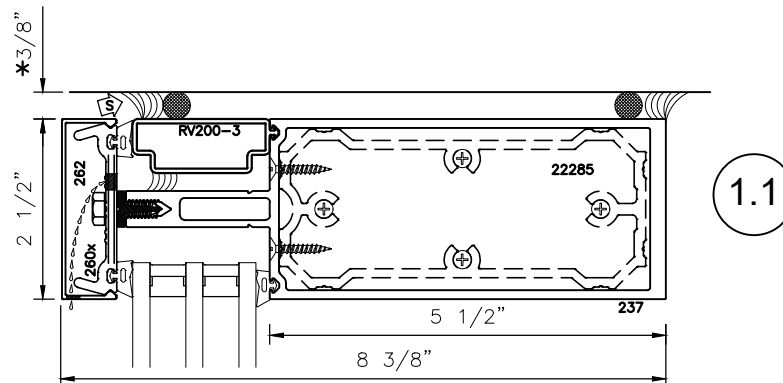
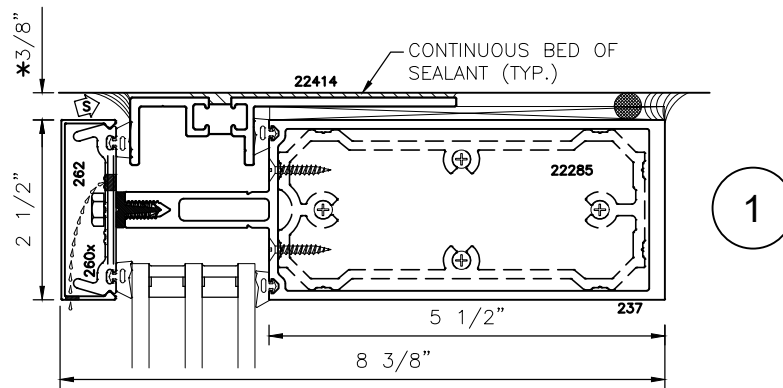
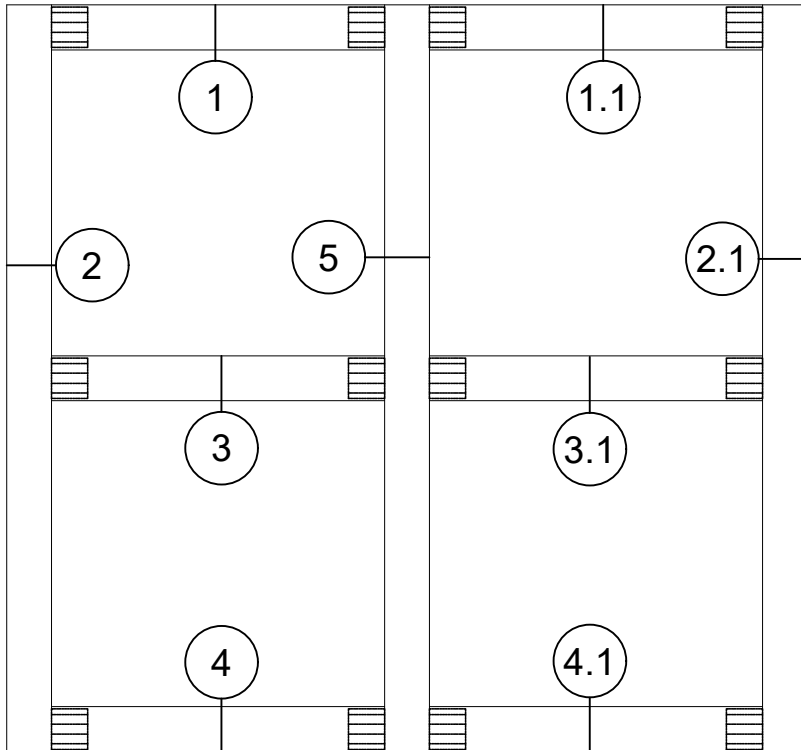
13



2-1/2" X 8 3/8" (5-1/2" B. M.) 250 C.W. EXTERIOR GLAZED CURTAIN WALL TRIPLE PANE DETAILS

Nominal 1-3/4" Glazing Details

* MINIMUM RECOMMENDED FOR THERMAL ISOLATION.
INCREASE AS REQUIRED TO COMPLY WITH SEALANT
MANUFACTURERS' INSTRUCTIONS

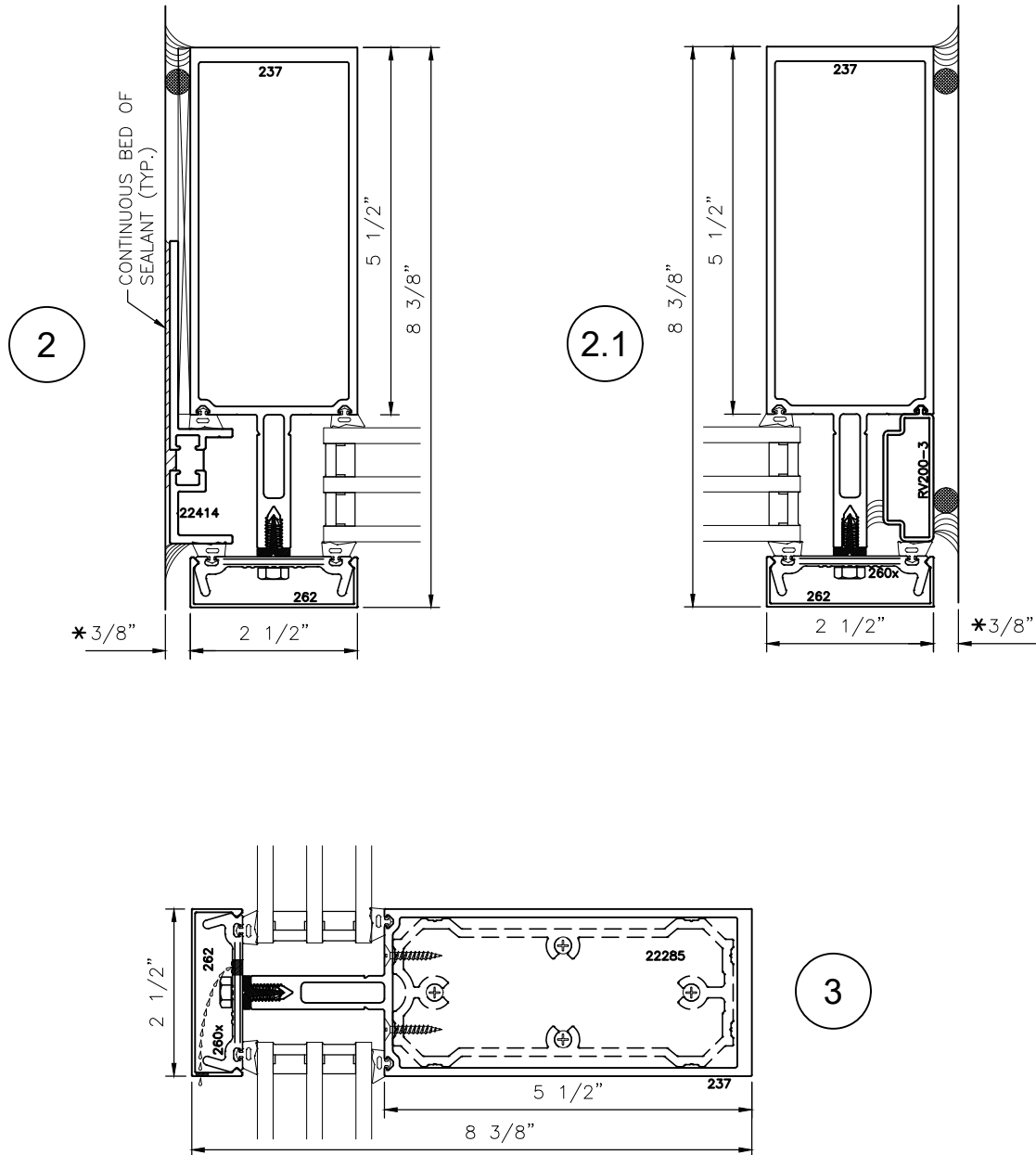




2-1/2" X 8 3/8" (5-1/2" B. M.)
250 C.W. EXTERIOR GLAZED CURTAIN WALL
TRIPLE PANE DETAILS

Nominal 1-3/4" Glazing Details

* MINIMUM RECOMMENDED FOR THERMAL ISOLATION.
 INCREASE AS REQUIRED TO COMPLY WITH SEALANT
 MANUFACTURERS' INSTRUCTIONS

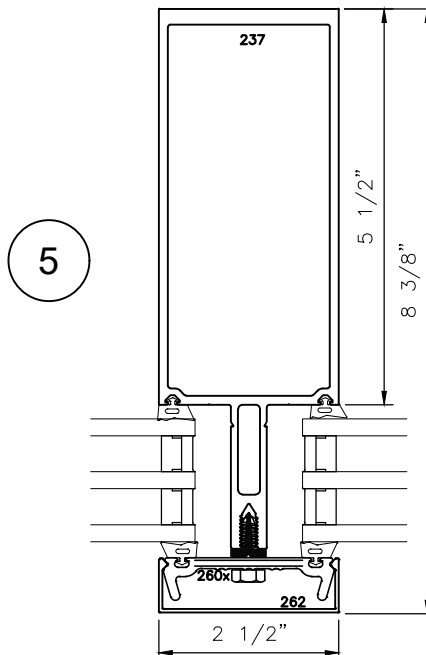
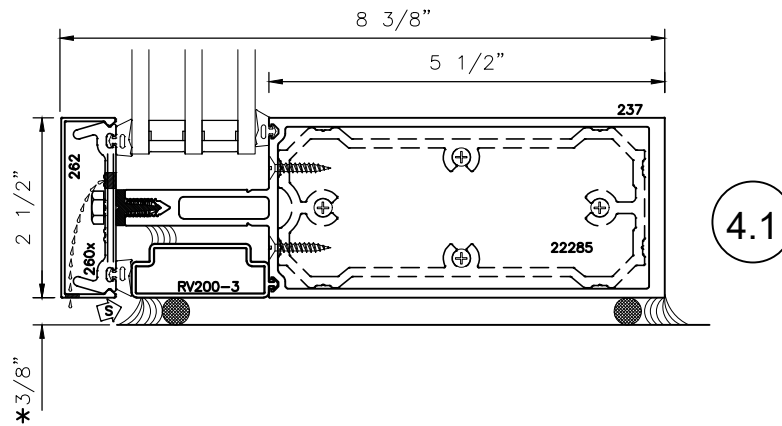
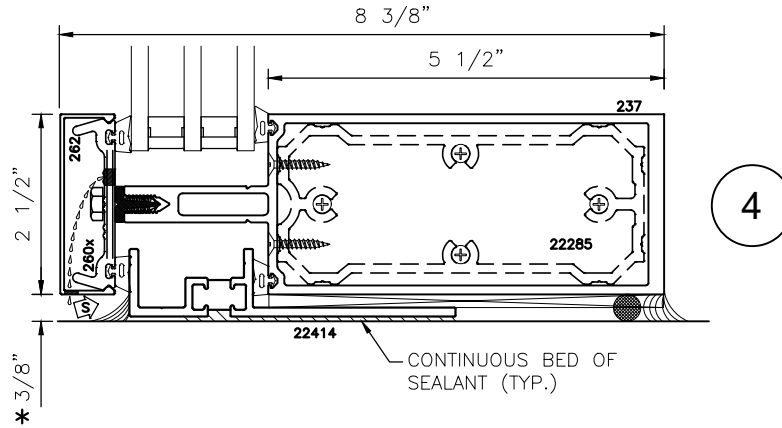




2-1/2" X 8 3/8" (5-1/2" B. M.) 250 C.W. EXTERIOR GLAZED CURTAIN WALL TRIPLE PANE DETAILS

Nominal 1-3/4" Glazing Details

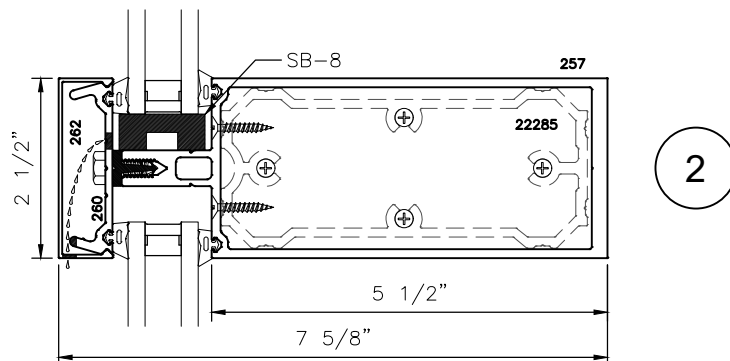
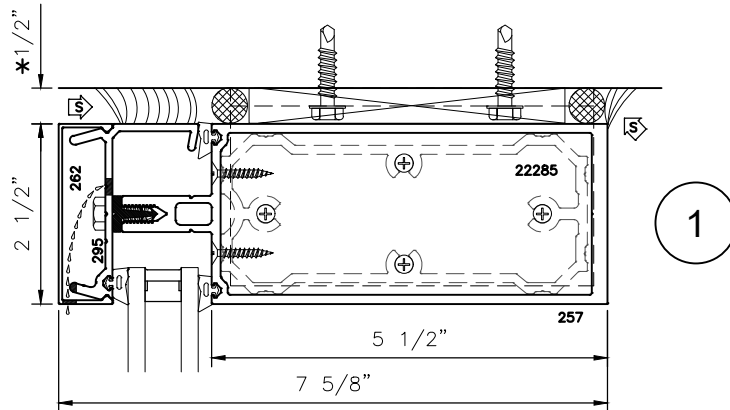
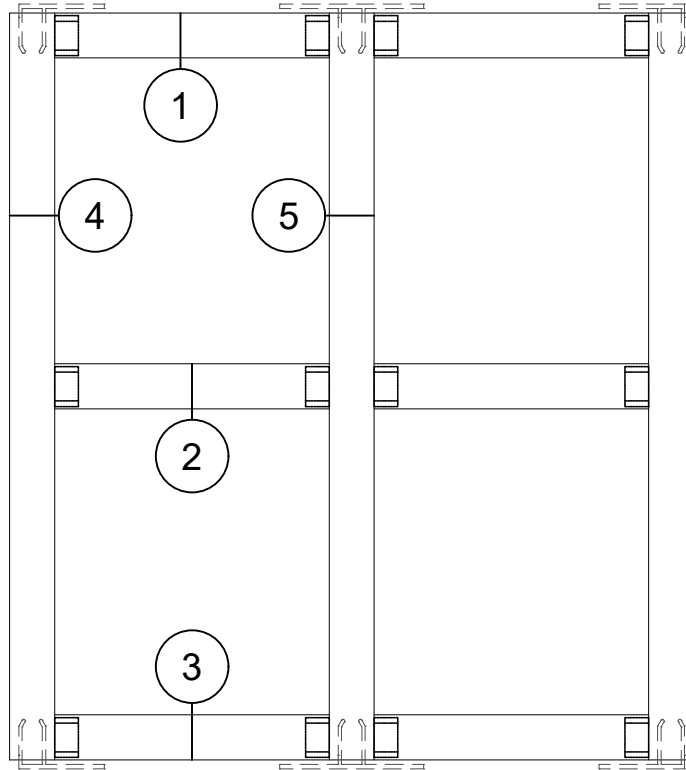
* MINIMUM RECOMMENDED FOR THERMAL ISOLATION.
INCREASE AS REQUIRED TO COMPLY WITH SEALANT
MANUFACTURERS' INSTRUCTIONS





2-1/2" X 7-5/8" (5-1/2" B. M.) 250 C.W. EXTERIOR GLAZED CURTAIN WALL F & T ANCHOR DETAILS

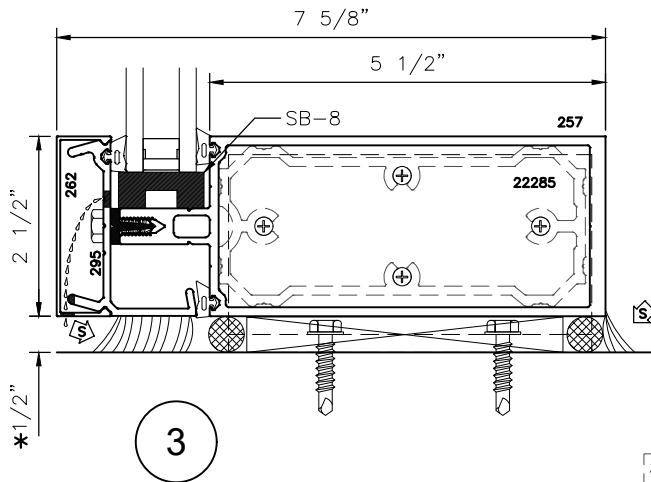
* MINIMUM RECOMMENDED FOR THERMAL ISOLATION.
INCREASE AS REQUIRED TO COMPLY WITH SEALANT
MANUFACTURERS' INSTRUCTIONS





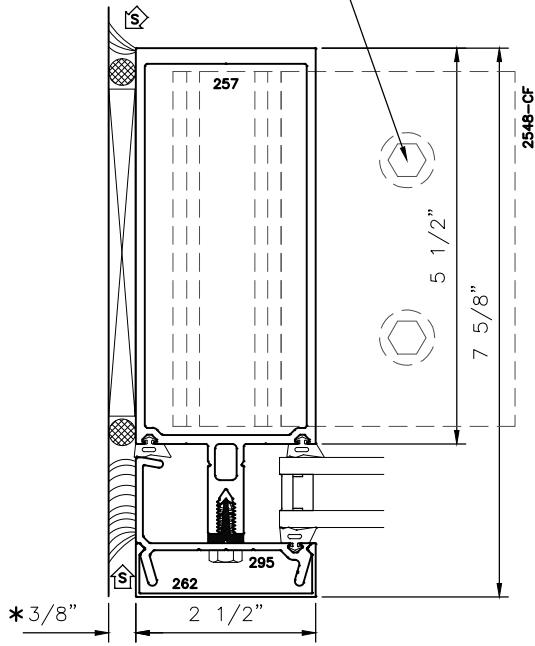
2-1/2" X 7-5/8" (5-1/2" B. M.) 250 C.W. EXTERIOR GLAZED CURTAIN WALL F & T ANCHOR DETAILS

* MINIMUM RECOMMENDED FOR THERMAL ISOLATION.
INCREASE AS REQUIRED TO COMPLY WITH SEALANT
MANUFACTURERS' INSTRUCTIONS

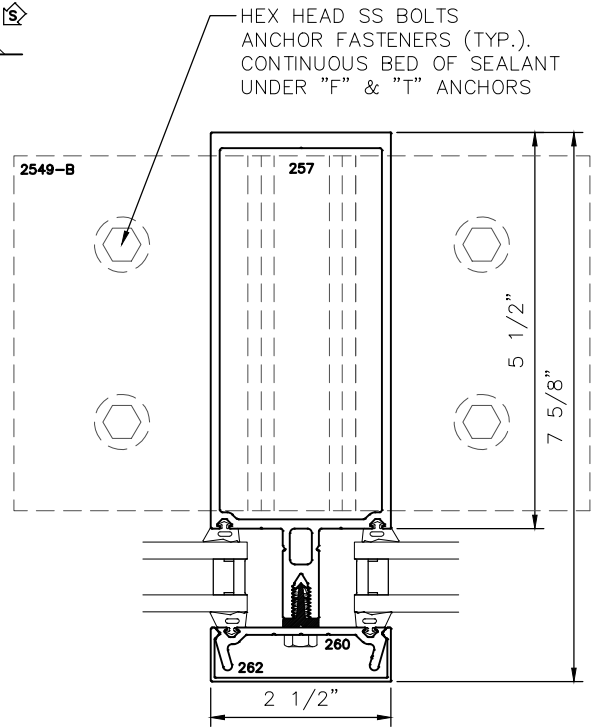


3

HEX HEAD SS BOLTS
ANCHOR FASTENERS (TYP.).
CONTINUOUS BED OF SEALANT
UNDER "F" & "T" ANCHORS



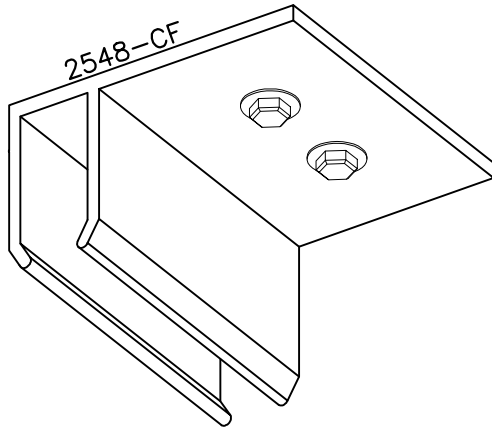
4



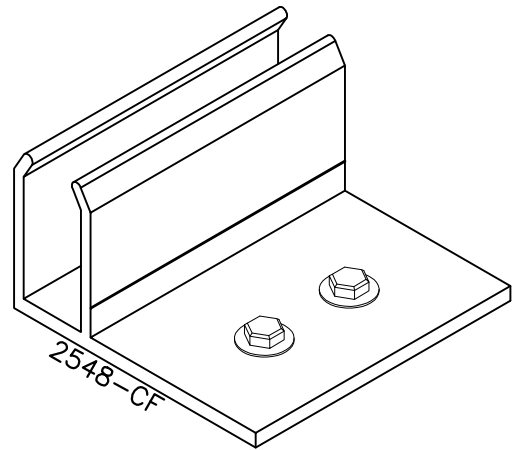
5



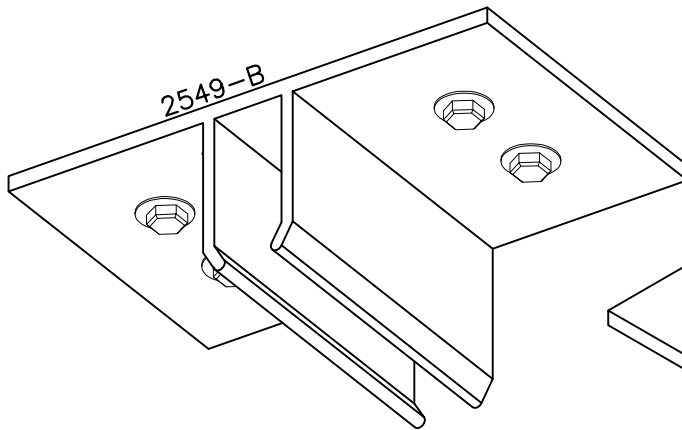
2-1/2" X 7-5/8" (5-1/2" B. M.)
250 C.W. EXTERIOR GLAZED CURTAIN WALL
F & T ANCHOR DETAILS



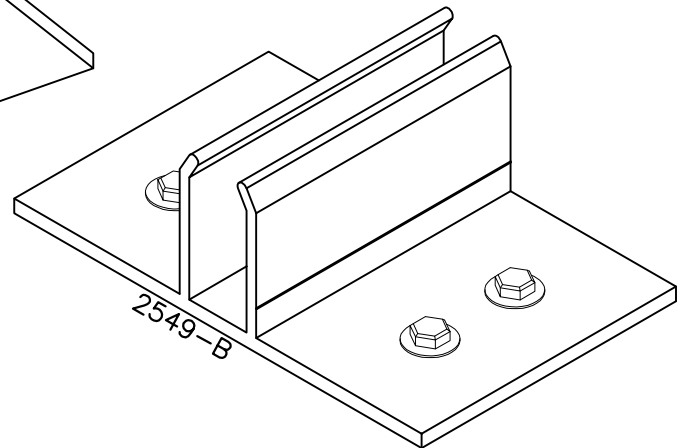
TOP F-ANCHOR



BOTTOM F-ANCHOR



TOP T-ANCHOR



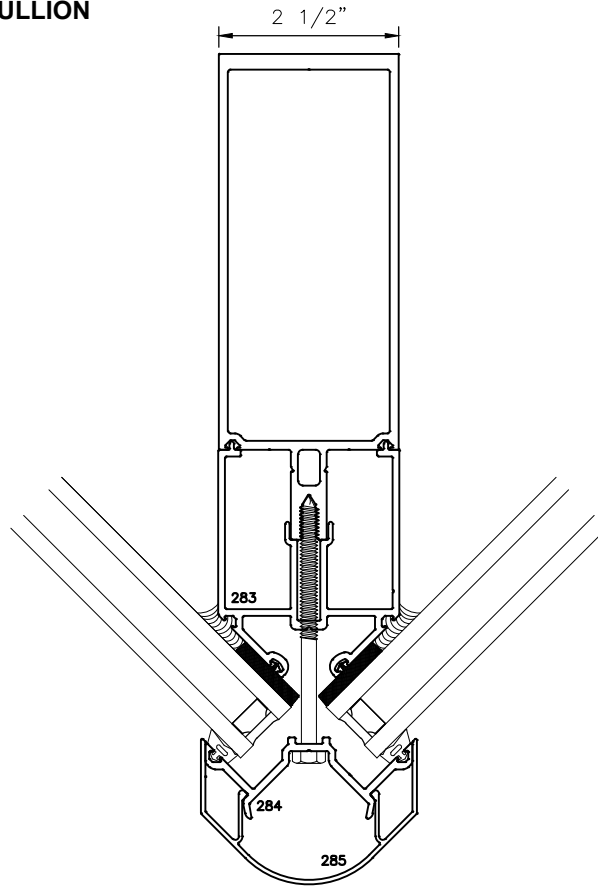
BOTTOM T-ANCHOR



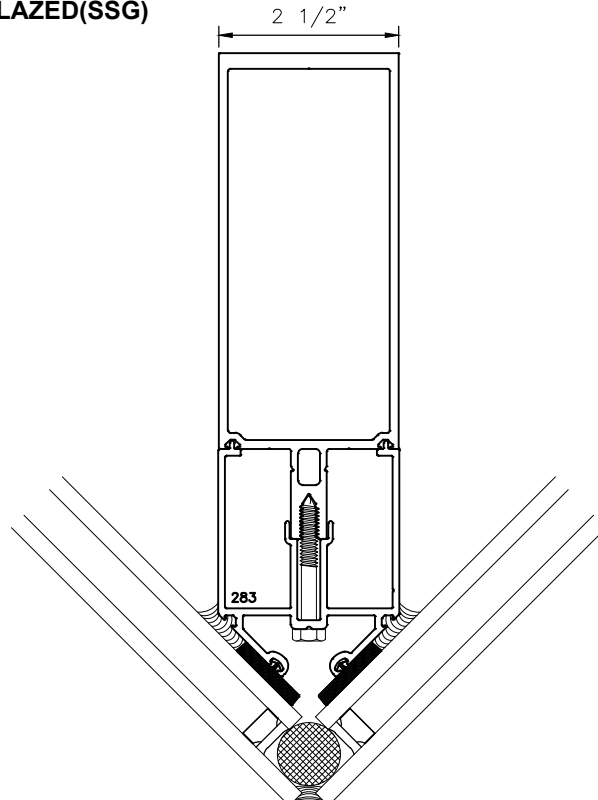
MANKO

**2-1/2" X 7-5/8" (5-1/2" B. M.)
250 C.W. EXTERIOR GLAZED CURTAIN WALL
CORNER MULLION DETAILS**

CAPTURED 90° CORNER MULLION



**STRUCTURAL SILICONE GLAZED(SSG)
90° CORNER MULLION**



PART # 257 SHOWN. SIMILAR
THROUGHOUT SERIES.