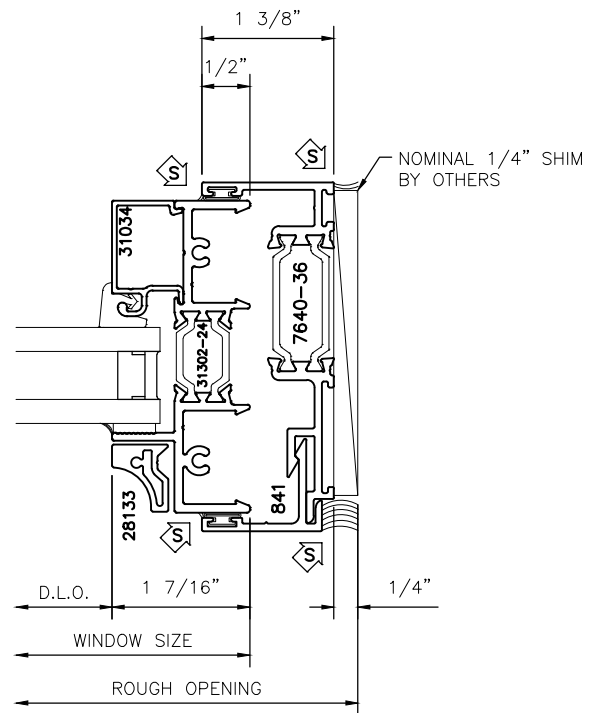
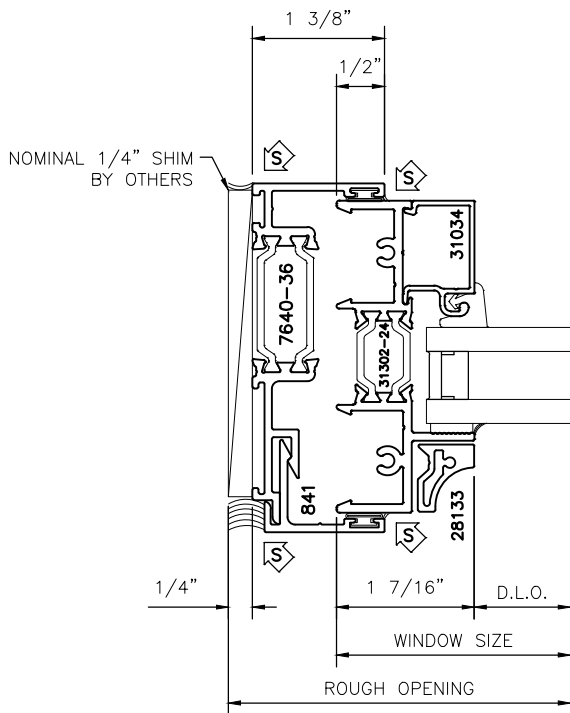
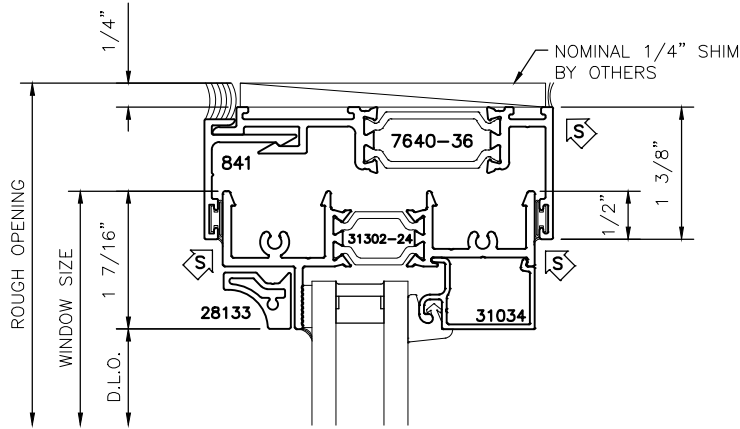




# 3100i SERIES

## 3 1/4" SERIES HISTORICAL WINDOW SYSTEM RECEPTOR DETAILS

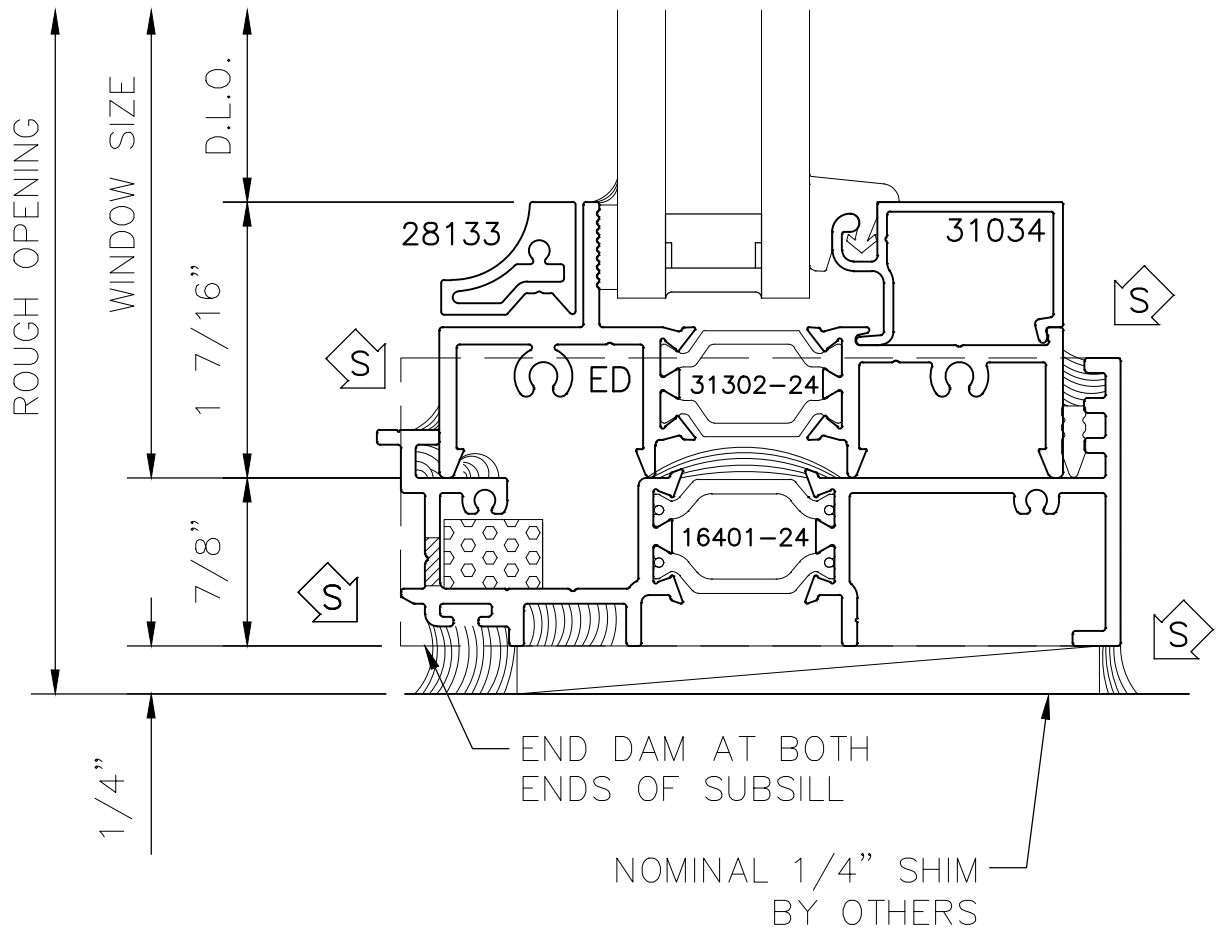


NOTE: USE OF RECEPTORS NOT COMPATIBLE WITH ALL OPERABLE HARDWARE CONFIGURATIONS. CONSULT FACTORY FOR DETAILS.



**3100i**  
SERIES

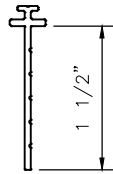
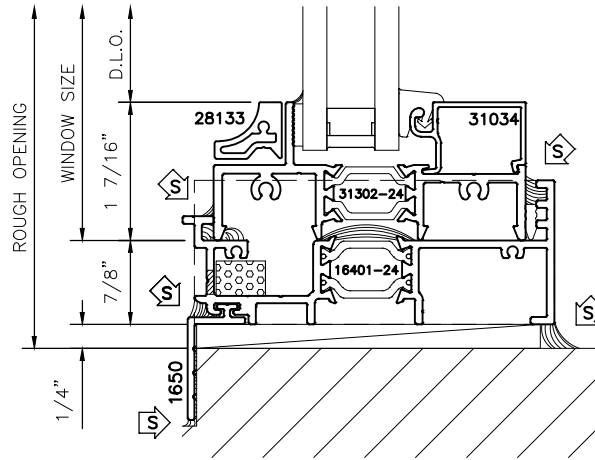
**3 1/4" SERIES HISTORICAL  
WINDOW SYSTEM  
SILL STARTER**



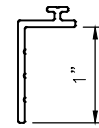


**3100i  
SERIES**

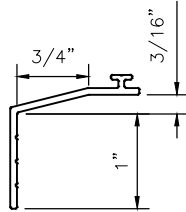
**3 1/4" SERIES HISTORICAL  
WINDOW SYSTEM  
SILL STARTER WITH EXTENSION**



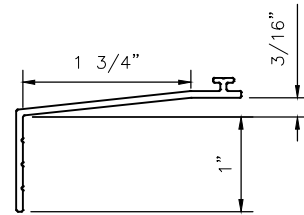
87050



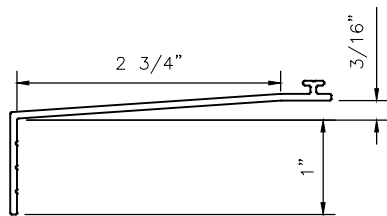
1650



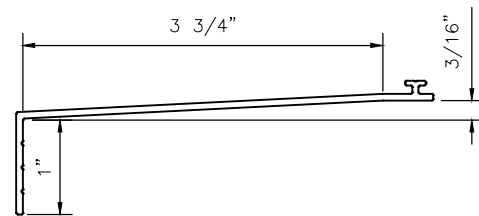
1651



1652



1653

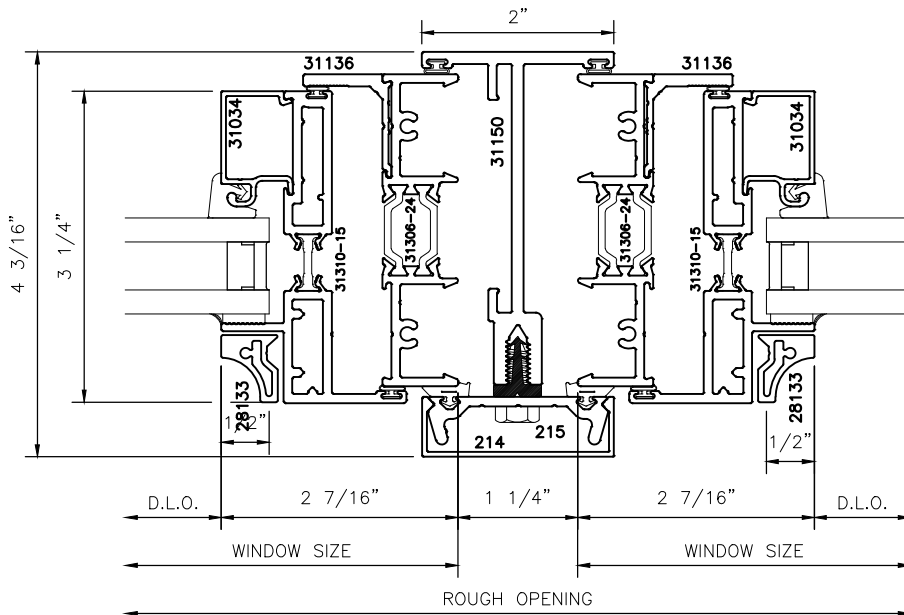
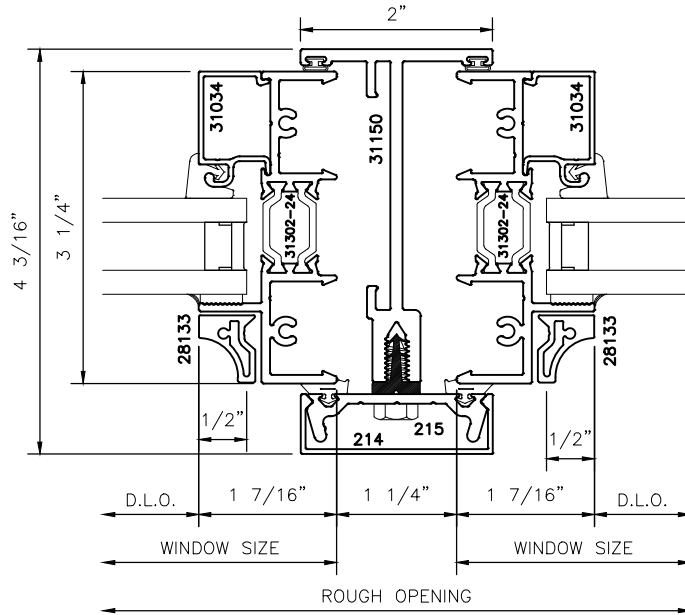


1654



**3100i  
SERIES**

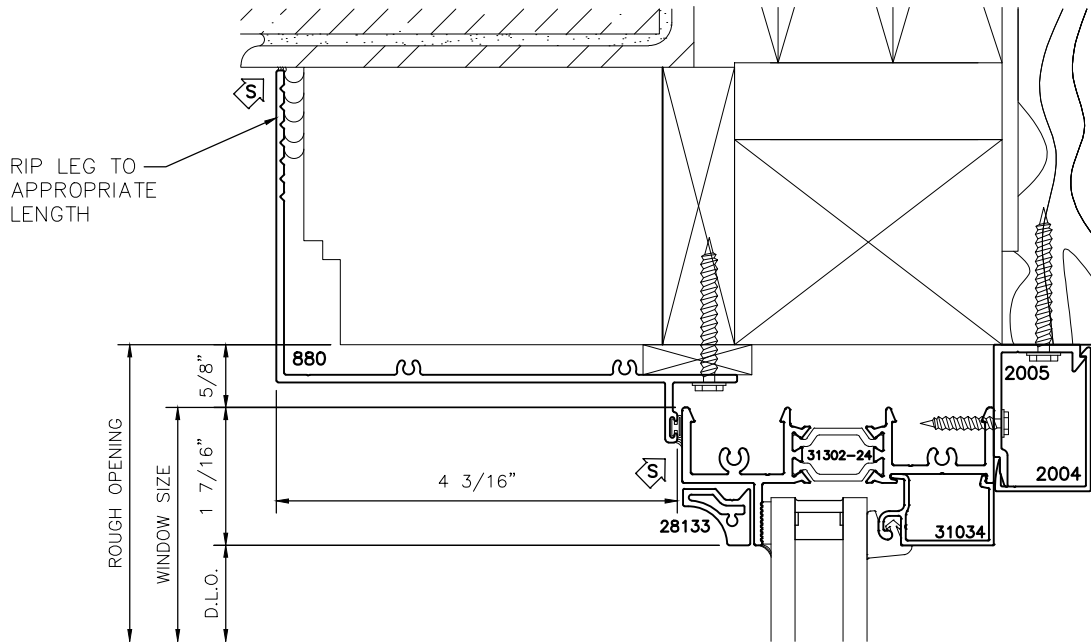
# 3 1/4" SERIES HISTORICAL WINDOW SYSTEM VERTICAL MULLION DETAILS





**3100i**  
**SERIES**

**3 1/4" SERIES HISTORICAL  
WINDOW SYSTEM  
PANNING-TRIM DETAILS**

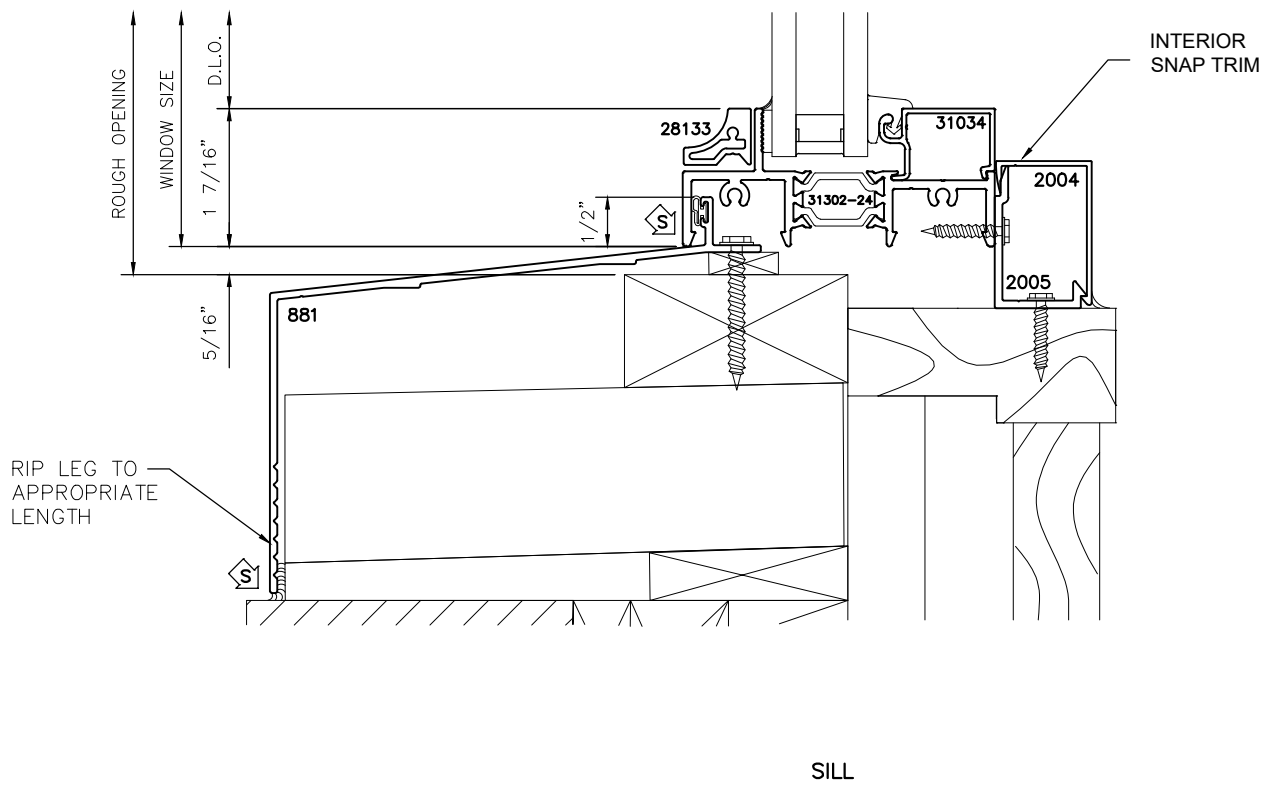


HEAD



**3100i**  
SERIES

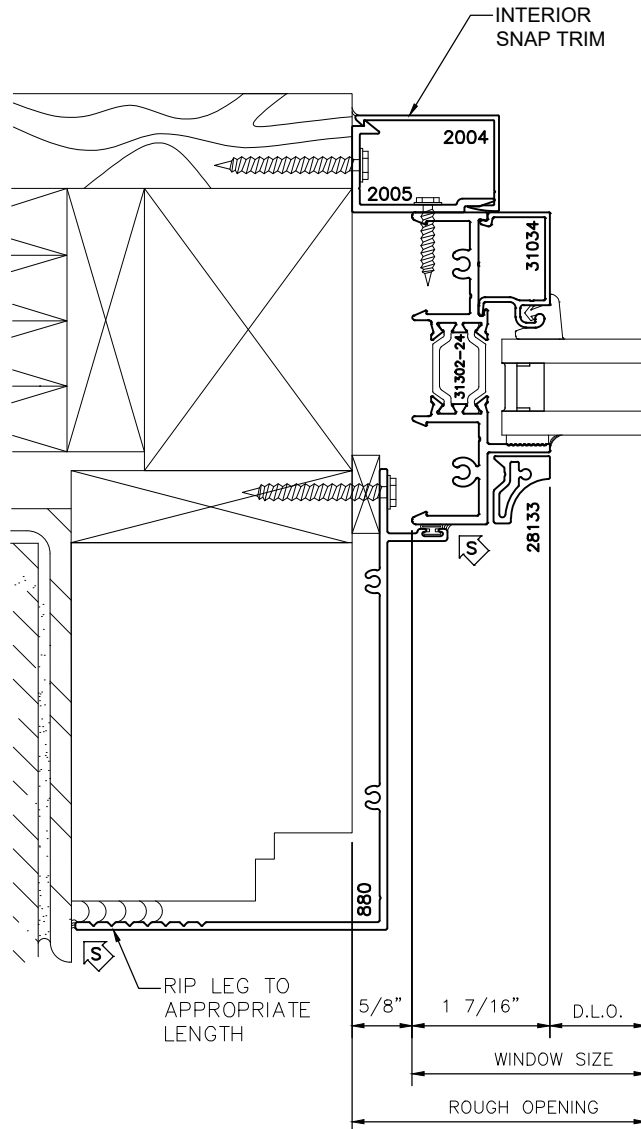
**3 1/4" SERIES HISTORICAL  
WINDOW SYSTEM  
PANNING-TRIM DETAILS**





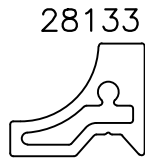
**3100i  
SERIES**

**3 1/4" SERIES HISTORICAL  
WINDOW SYSTEM  
PANNING-TRIM DETAILS**

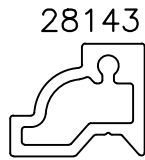
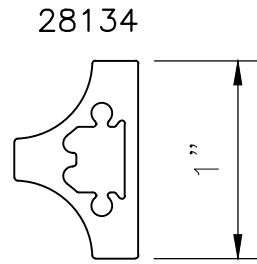


LEFT JAMB

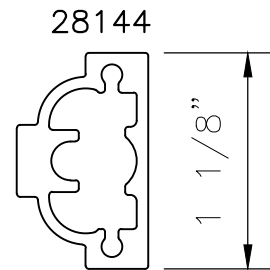




**COVE**



**BEADING**



**BEVELED**

