



# MANKO

## WINDOW SYSTEMS INC.

### 3141xpt Series Accessory Details

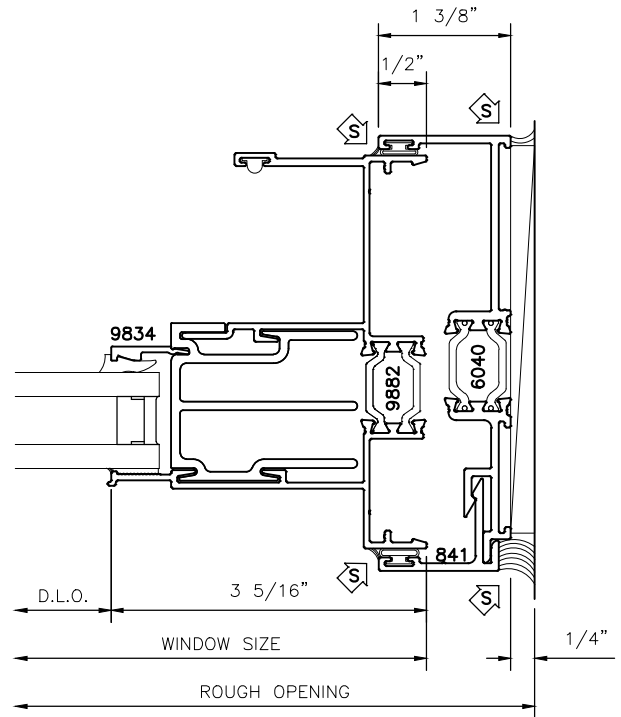
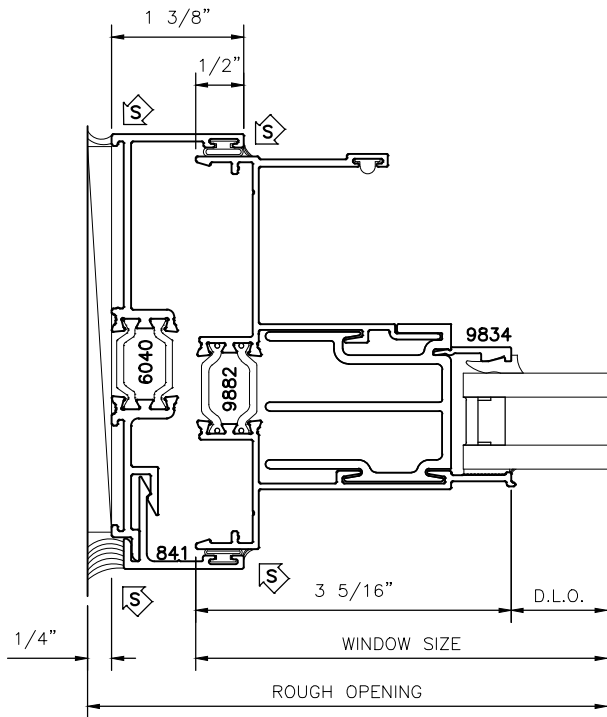
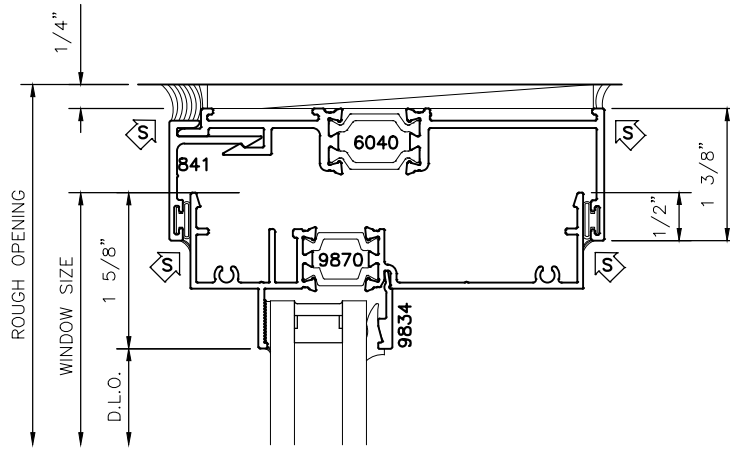
#### Table of Contents

Receptors.....	1
Sill Starters.....	2-3
Vertical Mullions.....	4-5
Panning / Trim.....	6-9



3141xpt

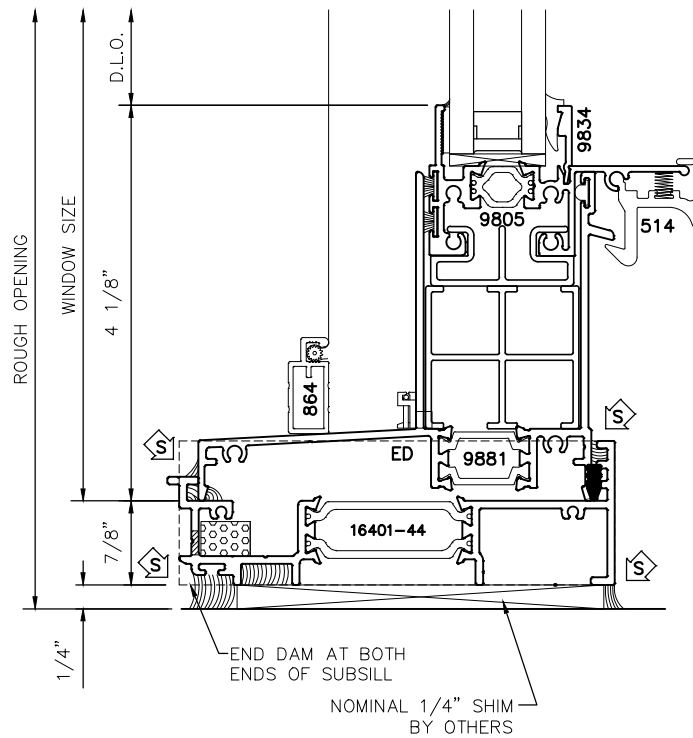
4 1/16" SERIES HUNG & FIXED WINDOW SYSTEM RECEPTOR DETAILS





3141xpt

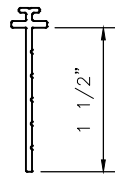
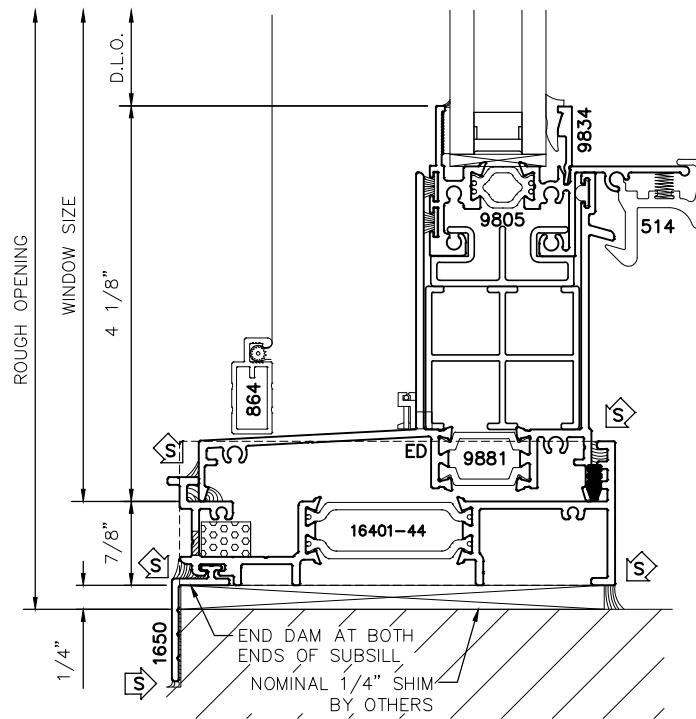
4 1/16" SERIES HUNG & FIXED  
WINDOW SYSTEM  
SILL STARTER



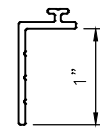


3141xpt

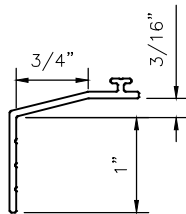
4 1/16" SERIES HUNG & FIXED  
WINDOW SYSTEM  
SILL STARTER WITH EXTENSION



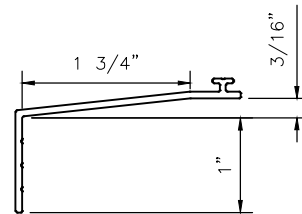
87050



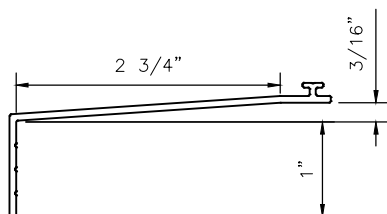
1650



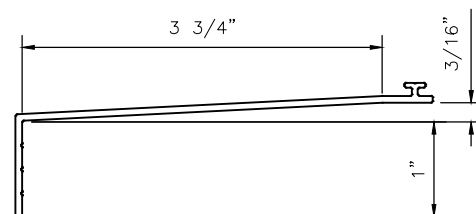
1651



1652



1653

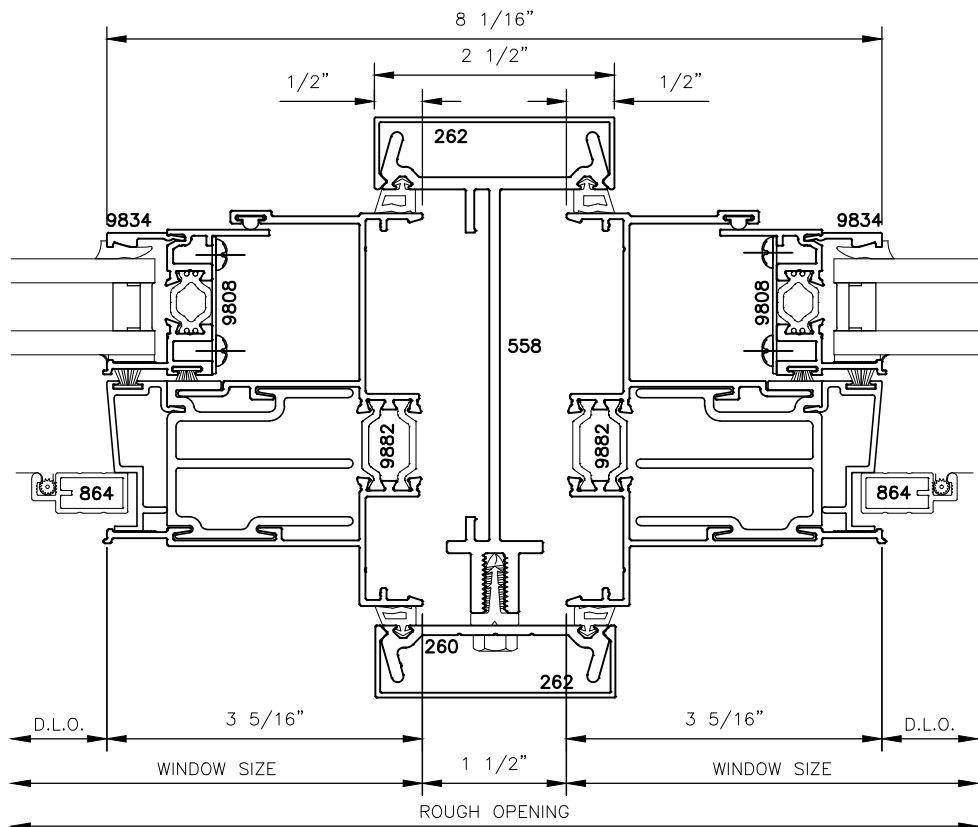
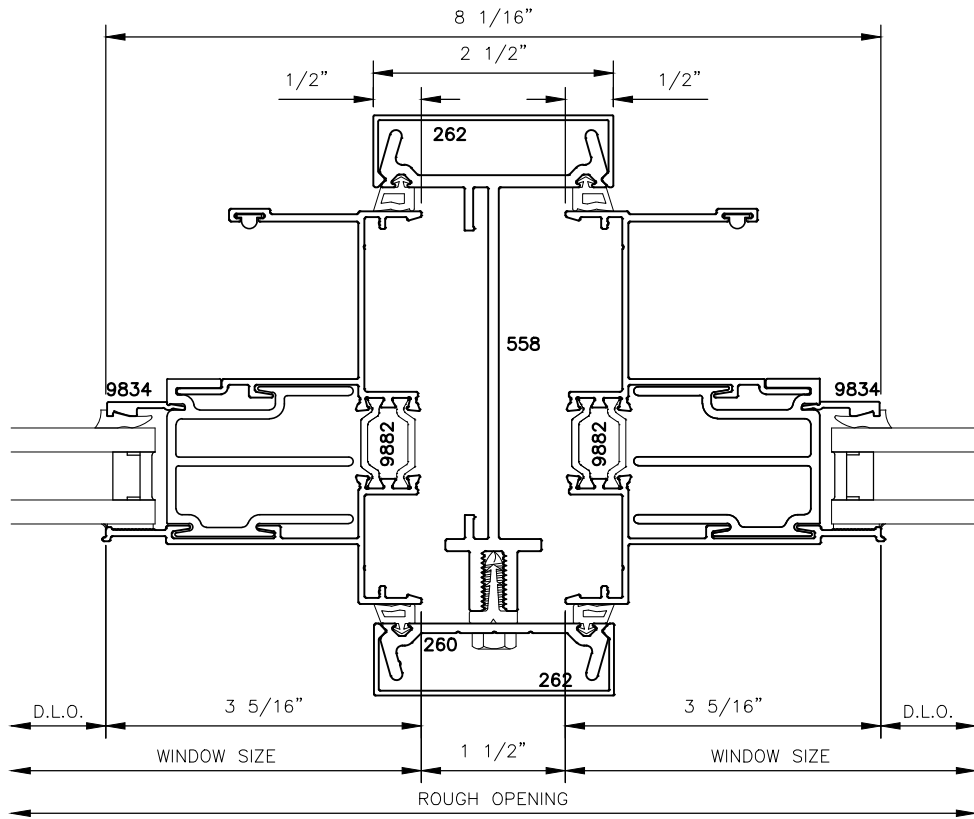


1654



3141xpt

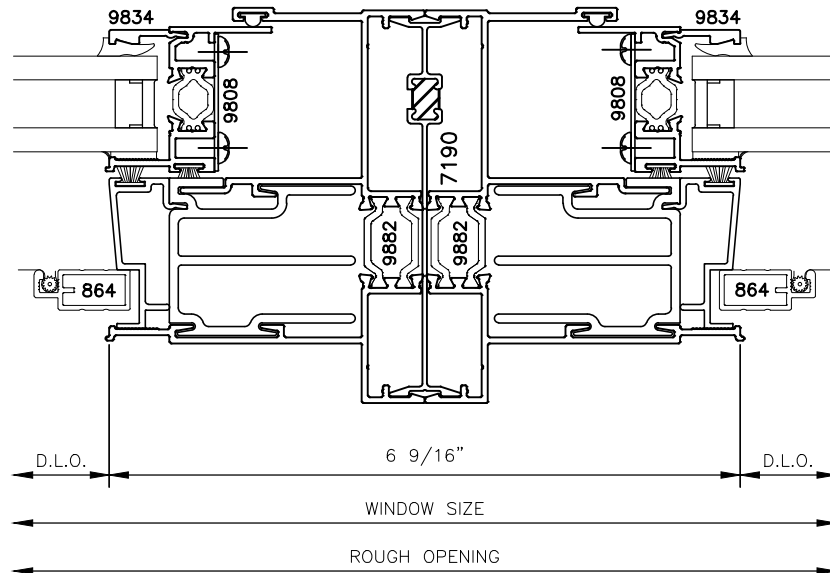
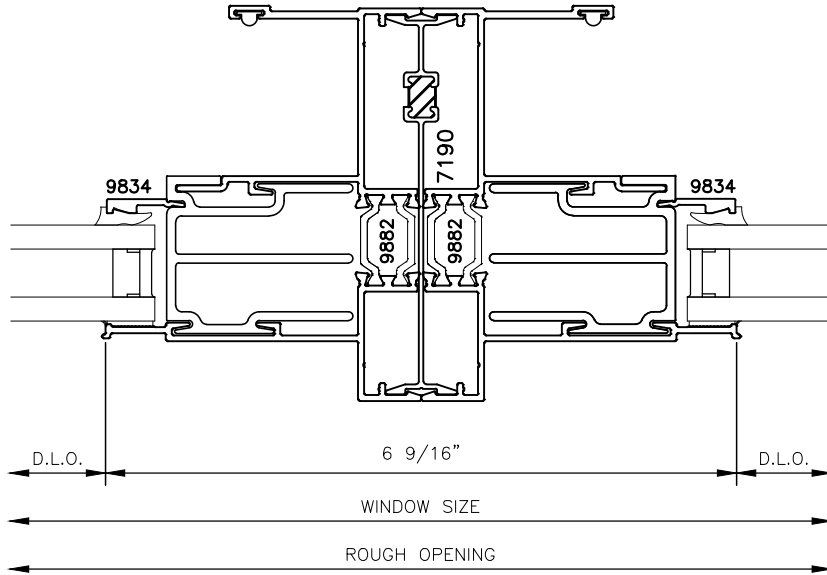
4 1/16" SERIES HUNG & FIXED WINDOW SYSTEM  
VERTICAL MULLION DETAILS





3141xpt

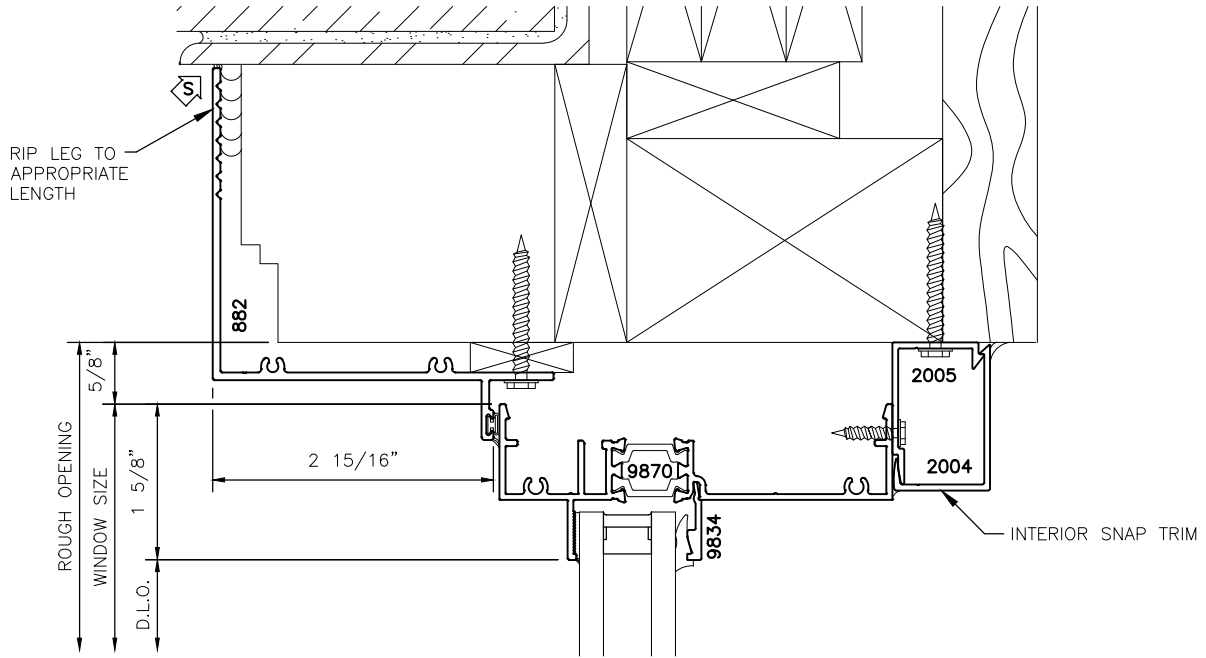
4 1/16" SERIES HUNG & FIXED  
WINDOW SYSTEM  
VERTICAL MULLION DETAILS





3141xpt

4 1/16" SERIES HUNG & FIXED  
WINDOW SYSTEM  
PANNING & TRIM DETAILS

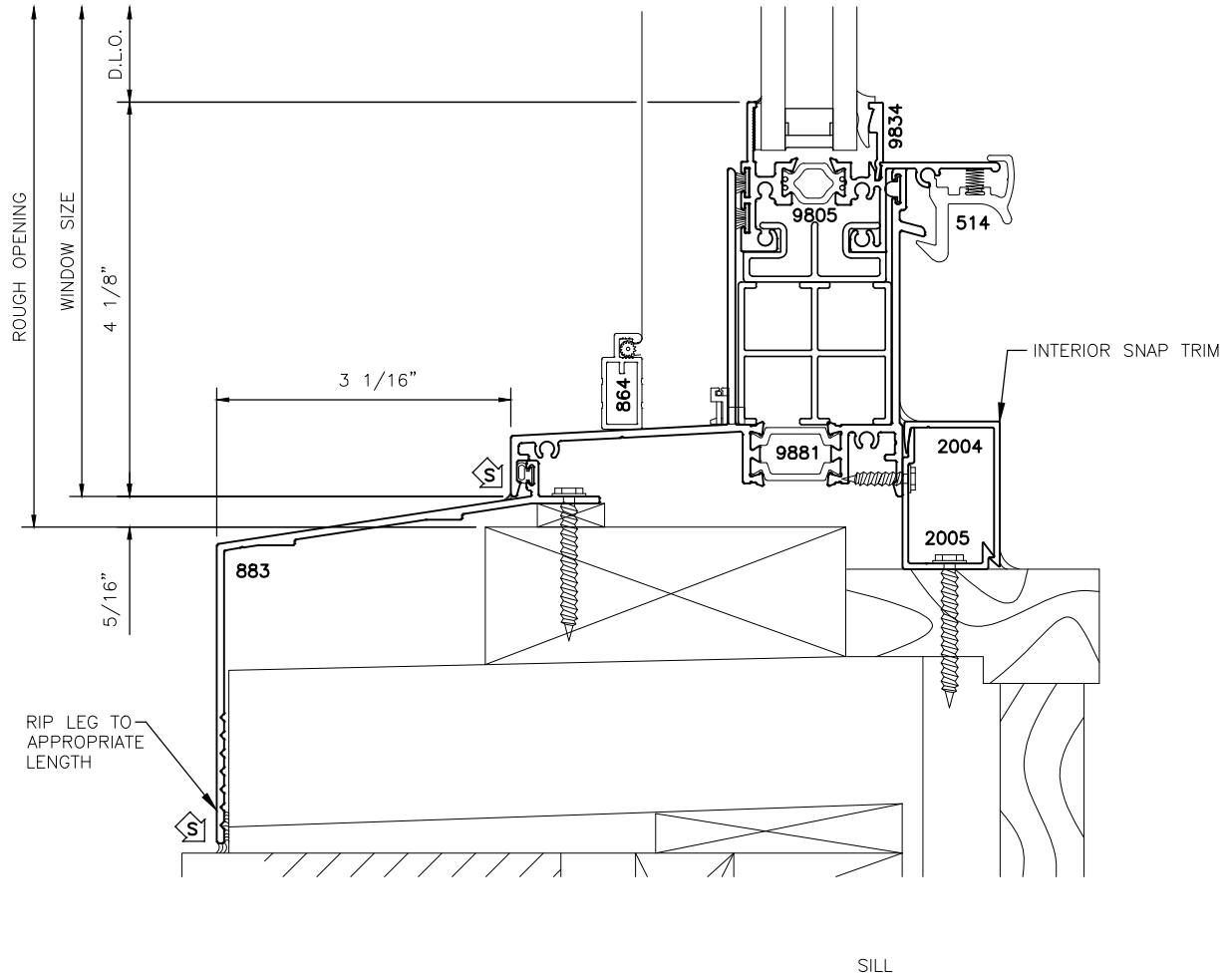


HEAD



3141xpt

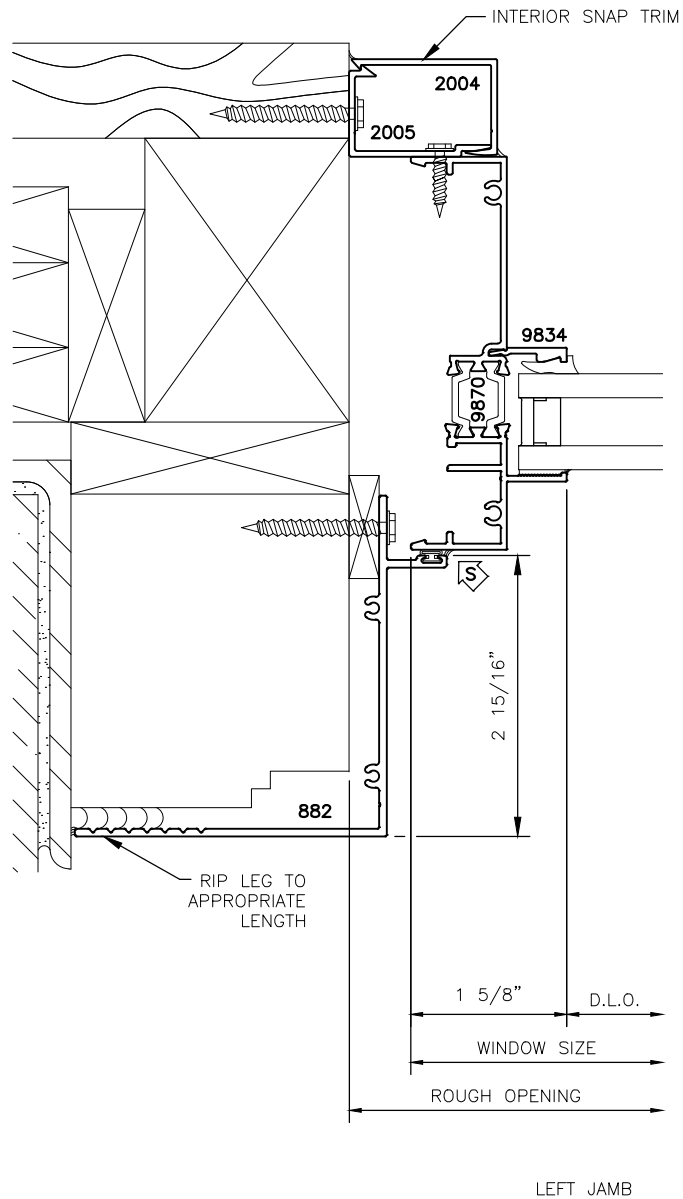
4 1/16" SERIES HUNG & FIXED  
WINDOW SYSTEM  
PANNING & TRIM DETAILS





3141xpt

4 1/16" SERIES HUNG & FIXED WINDOW SYSTEM  
PANNING & TRIM DETAILS





3141xpt

# 4 1/16" SERIES HUNG & FIXED WINDOW SYSTEM PANNING & TRIM DETAILS

