



MANKO

WINDOW SYSTEMS INC.

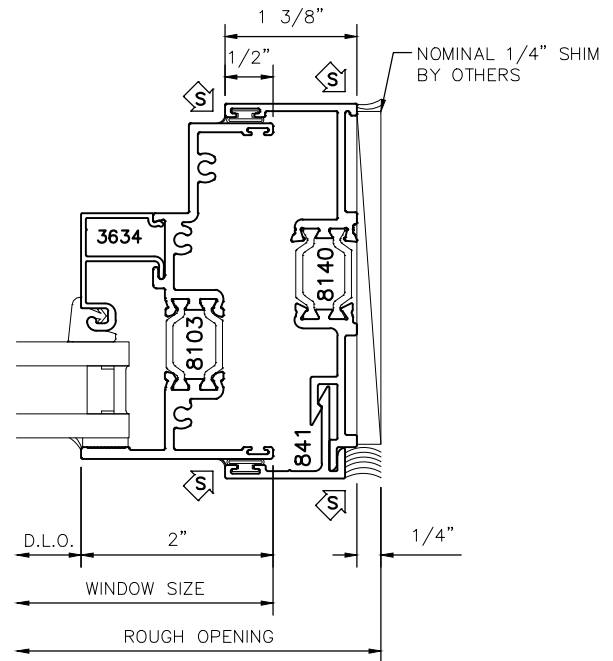
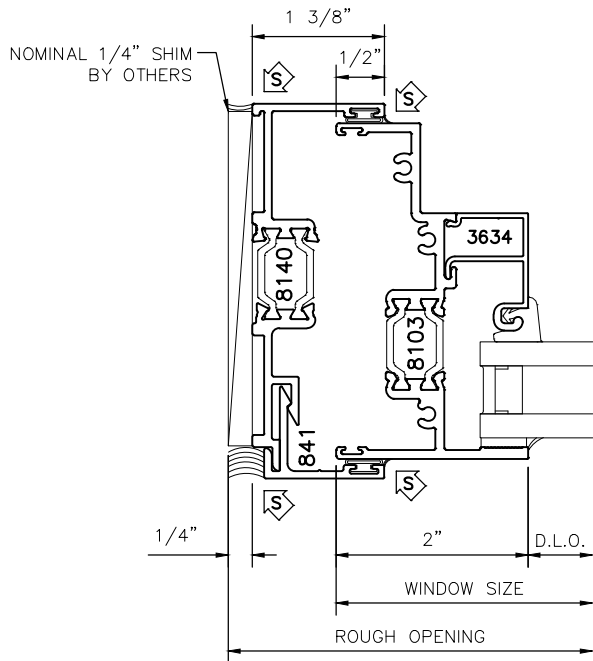
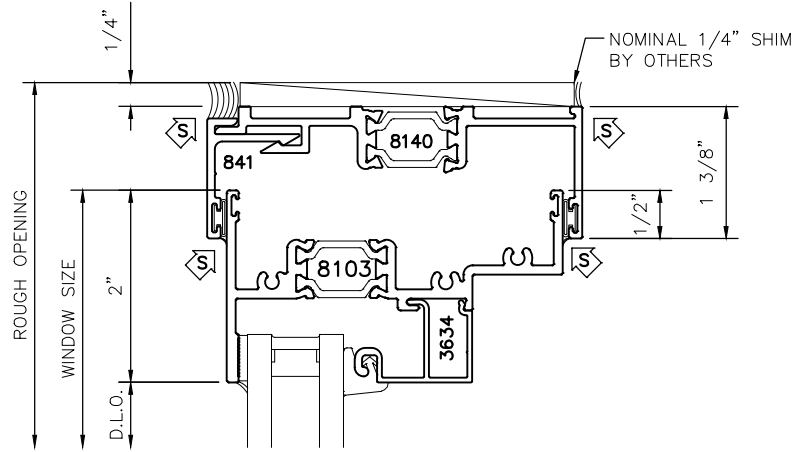
3527i Series Accessory Details

Table of Contents

Receptors.....	1
Sill Starters.....	2-3
Vertical Mullions.....	4-5
Glazing Options.....	6-13
Panning / Trim.....	14-30
Grid Profiles.....	31



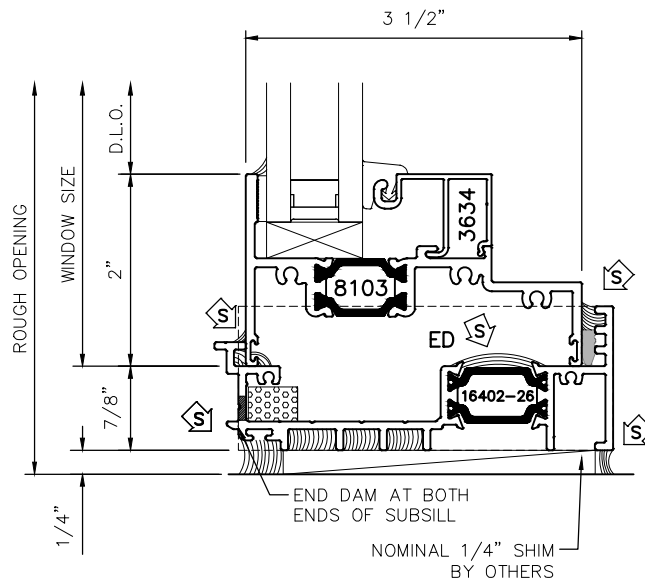
3527i SERIES WINDOWS RECEPTORS





3527i
SERIES

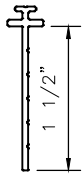
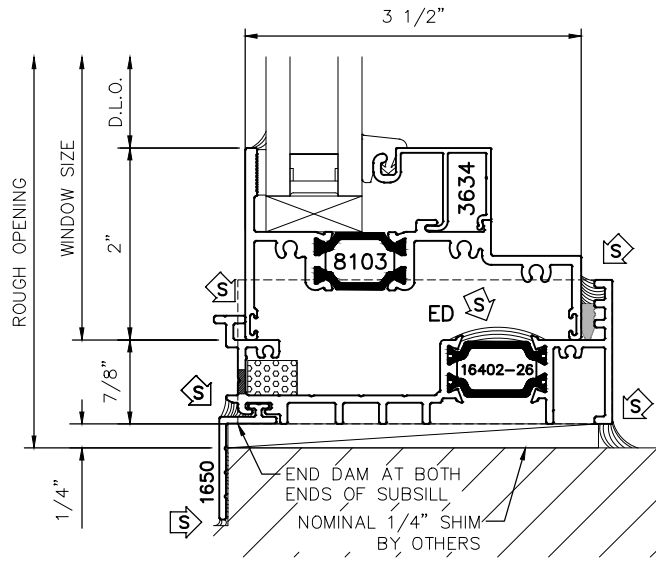
3 1/2" SERIES PROJECTED & FIXED WINDOW SYSTEM SILL STARTER DETAIL



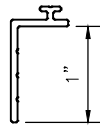


**3527i
SERIES**

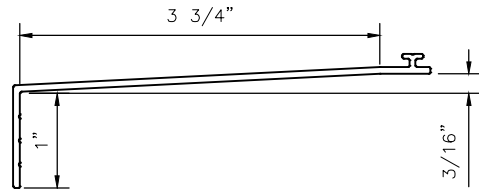
**3 1/2" SERIES PROJECTED & FIXED
WINDOW SYSTEM
SILL WITH EXTENSIONS DETAILS**



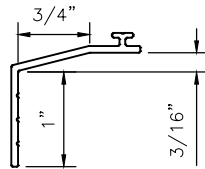
87050



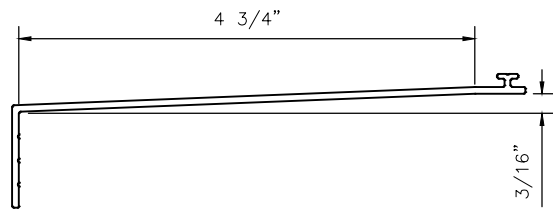
1650



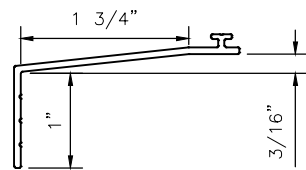
1654



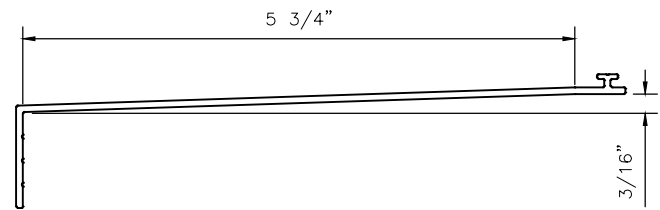
1651



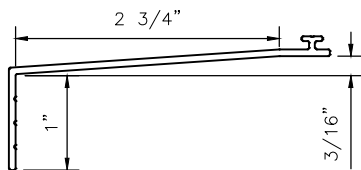
1655



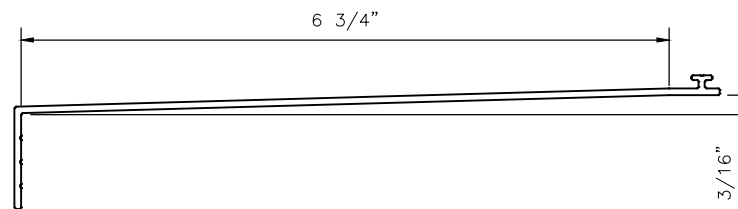
1652



1656



1653

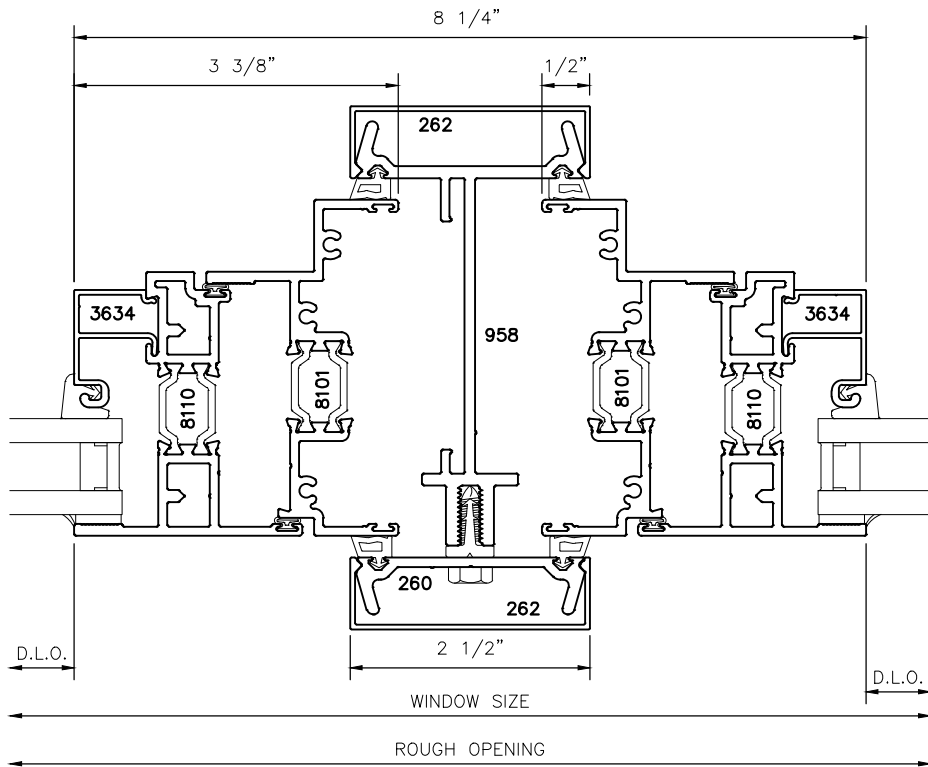
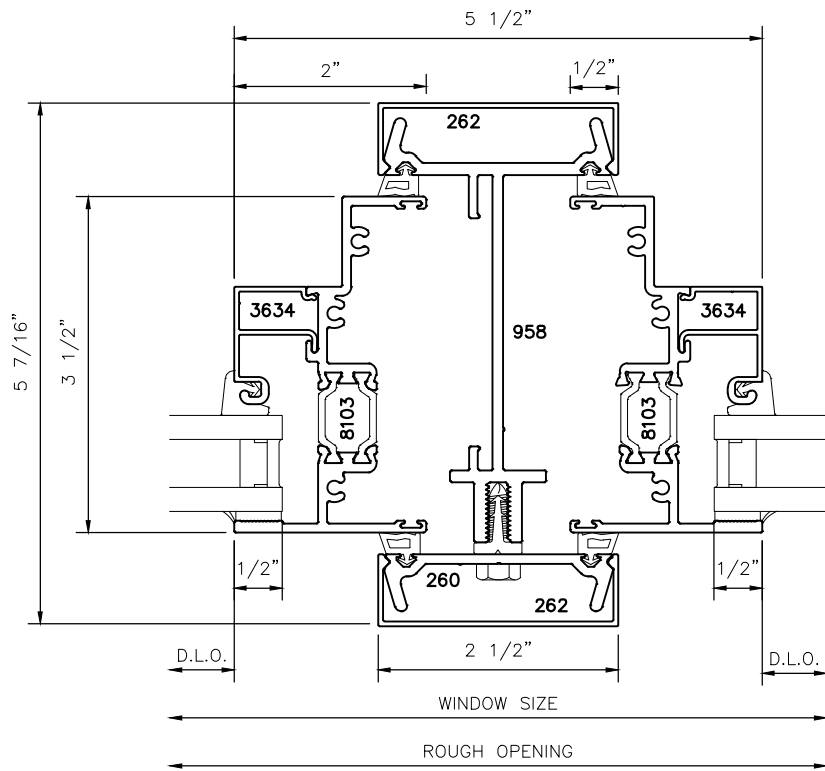


1657



3527i SERIES WINDOWS

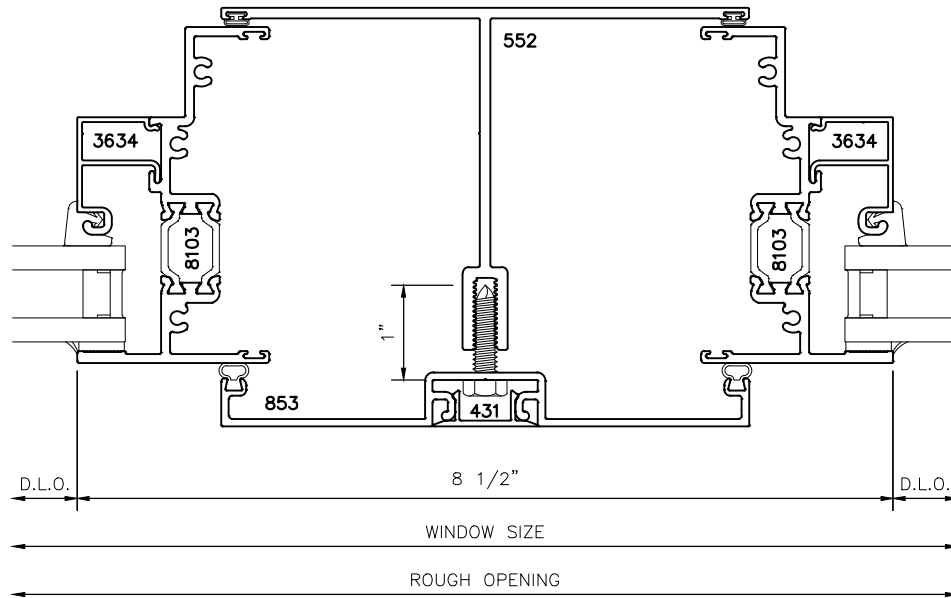
VERTICAL MULLIONS-958





3527i SERIES WINDOWS

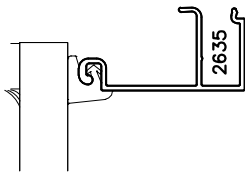
VERTICAL MULLIONS-852/853



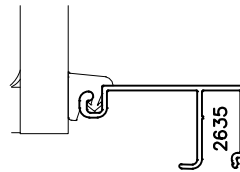
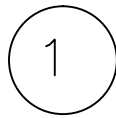


3527i SERIES WINDOWS

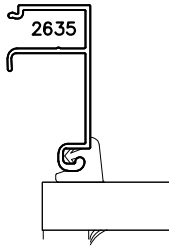
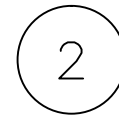
1/2" GLAZING CONFIGURATIONS



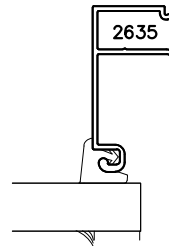
HEAD



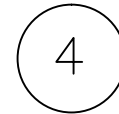
SILL



LEFT JAMB



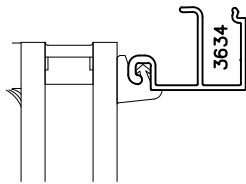
RIGHT JAMB





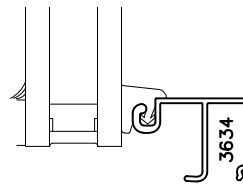
3527i SERIES WINDOWS

1" GLAZING CONFIGURATIONS



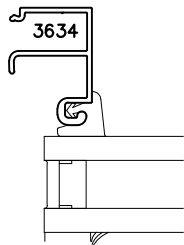
1

HEAD



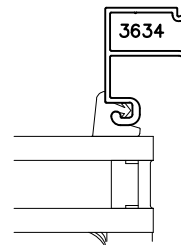
2

SILL



3

LEFT JAMB



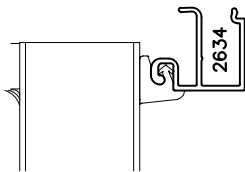
4

RIGHT JAMB

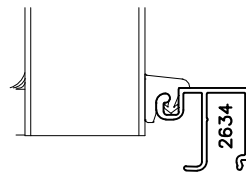
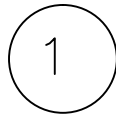


3527i SERIES WINDOWS

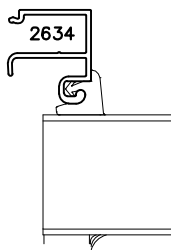
1 1/4" INFILL CONFIGURATIONS



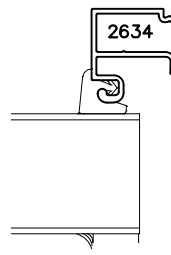
HEAD



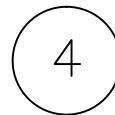
SILL



LEFT JAMB



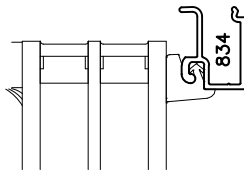
RIGHT JAMB





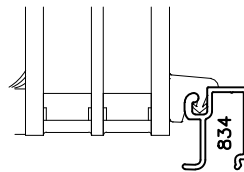
3527i SERIES WINDOWS

1 1/2" GLAZING CONFIGURATIONS



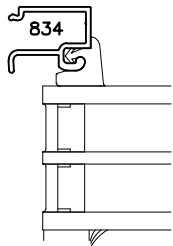
1

HEAD



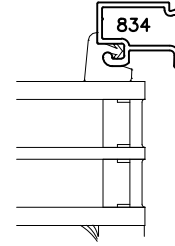
2

SILL



3

LEFT JAMB



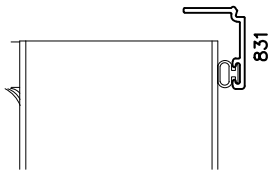
4

RIGHT JAMB



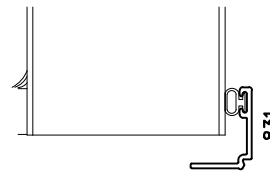
3527i SERIES WINDOWS

2 1/16" INFILL CONFIGURATIONS



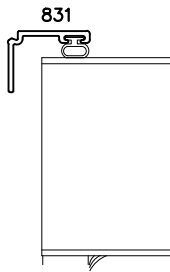
1

HEAD



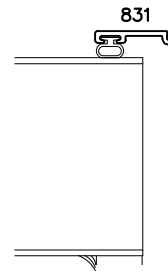
2

SILL



3

LEFT JAMB



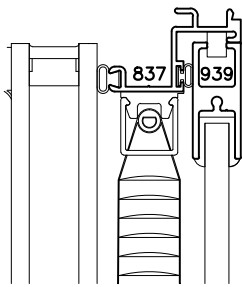
4

RIGHT JAMB



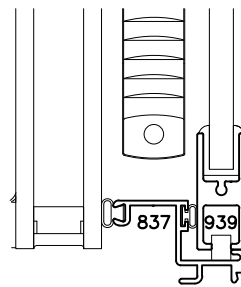
3527i SERIES WINDOWS

BLINDS W/TAKE-OUT SASH



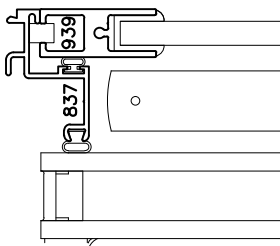
1

HEAD



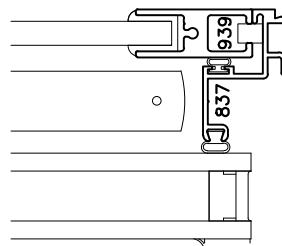
2

SILL



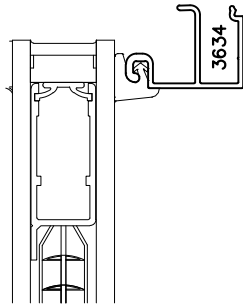
3

LEFT JAMB



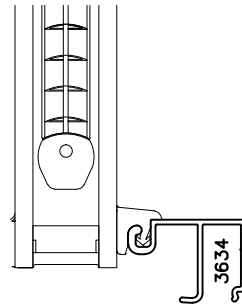
4

RIGHT JAMB



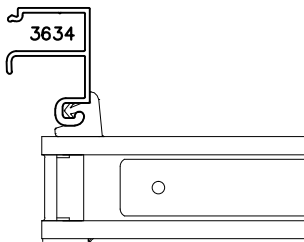
1

HEAD



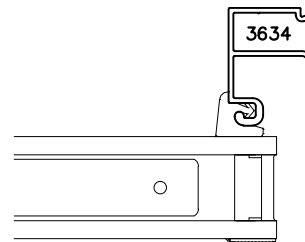
2

SILL



3

LEFT JAMB



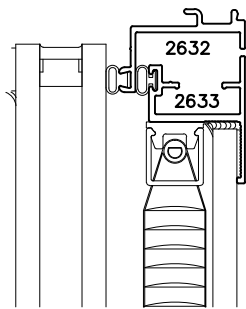
4

RIGHT JAMB

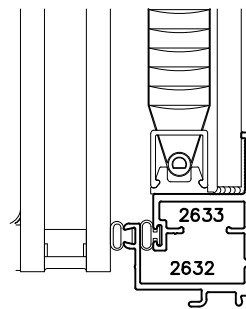


3527i SERIES WINDOWS

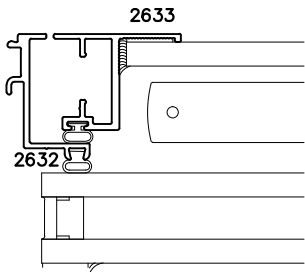
BLINDS W/ HINGED SASH



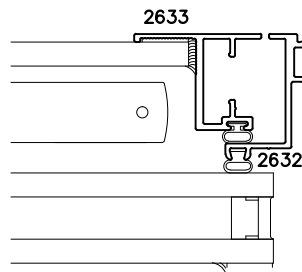
HEAD



SILL



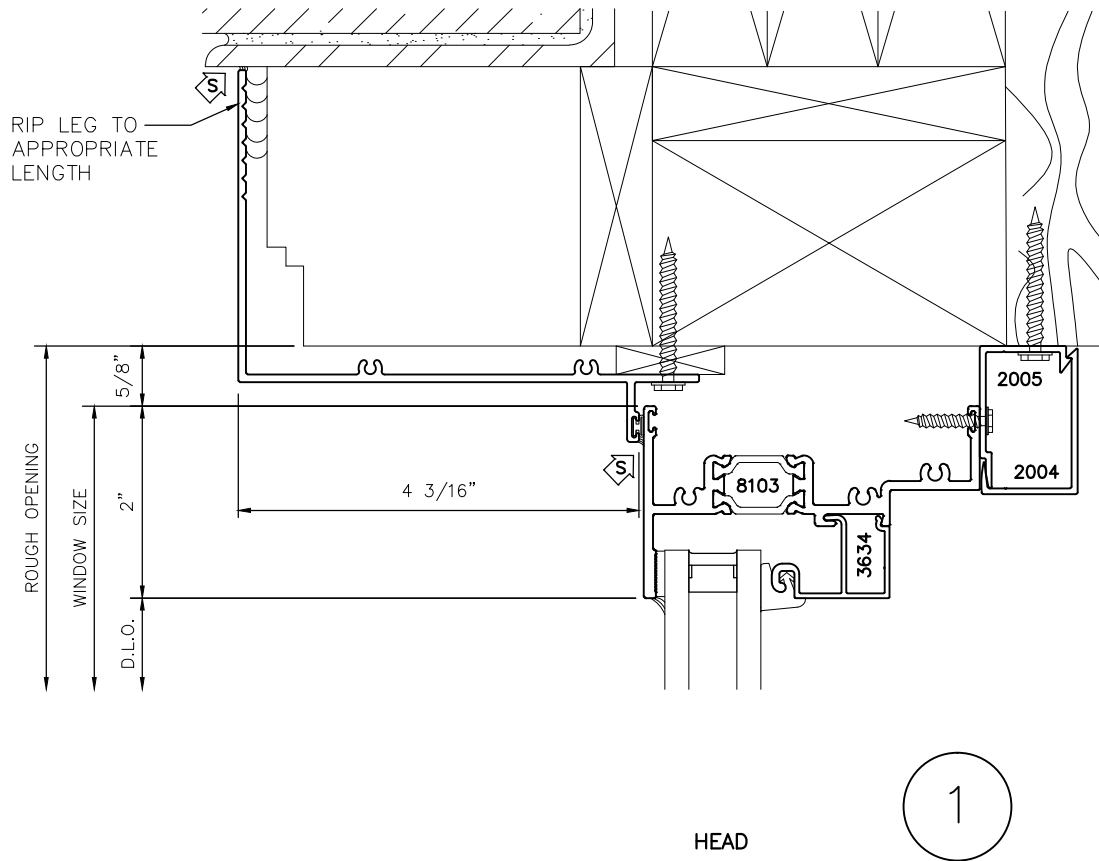
LEFT JAMB



RIGHT JAMB

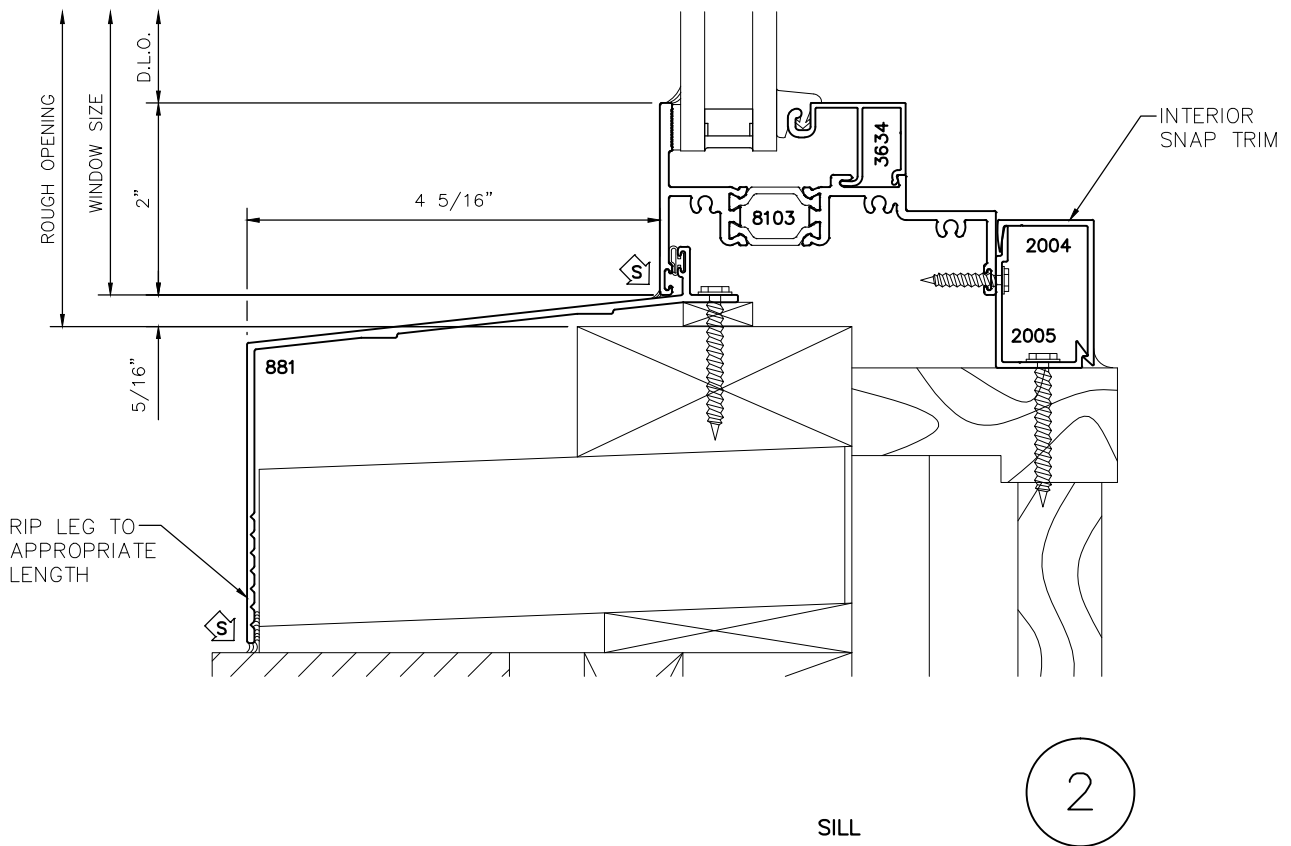


3527i SERIES WINDOWS PANNING-TRIM





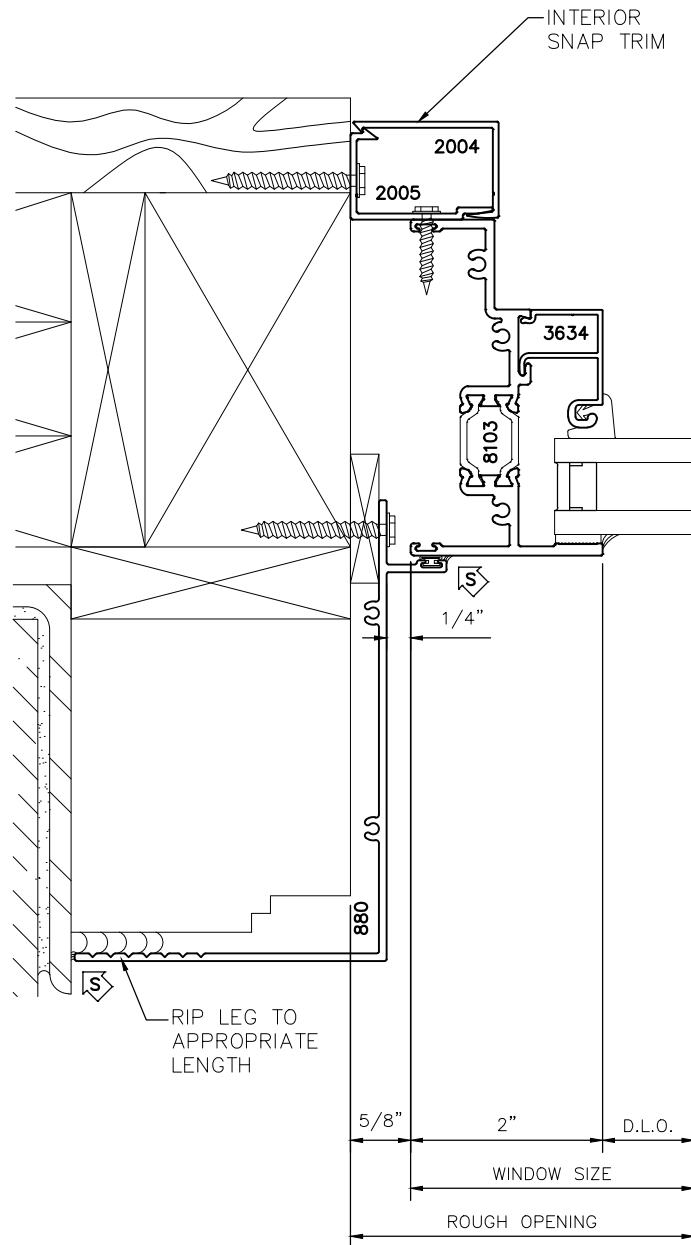
3527i SERIES WINDOWS PANNING-TRIM





3527i SERIES WINDOWS

PANNING-TRIM



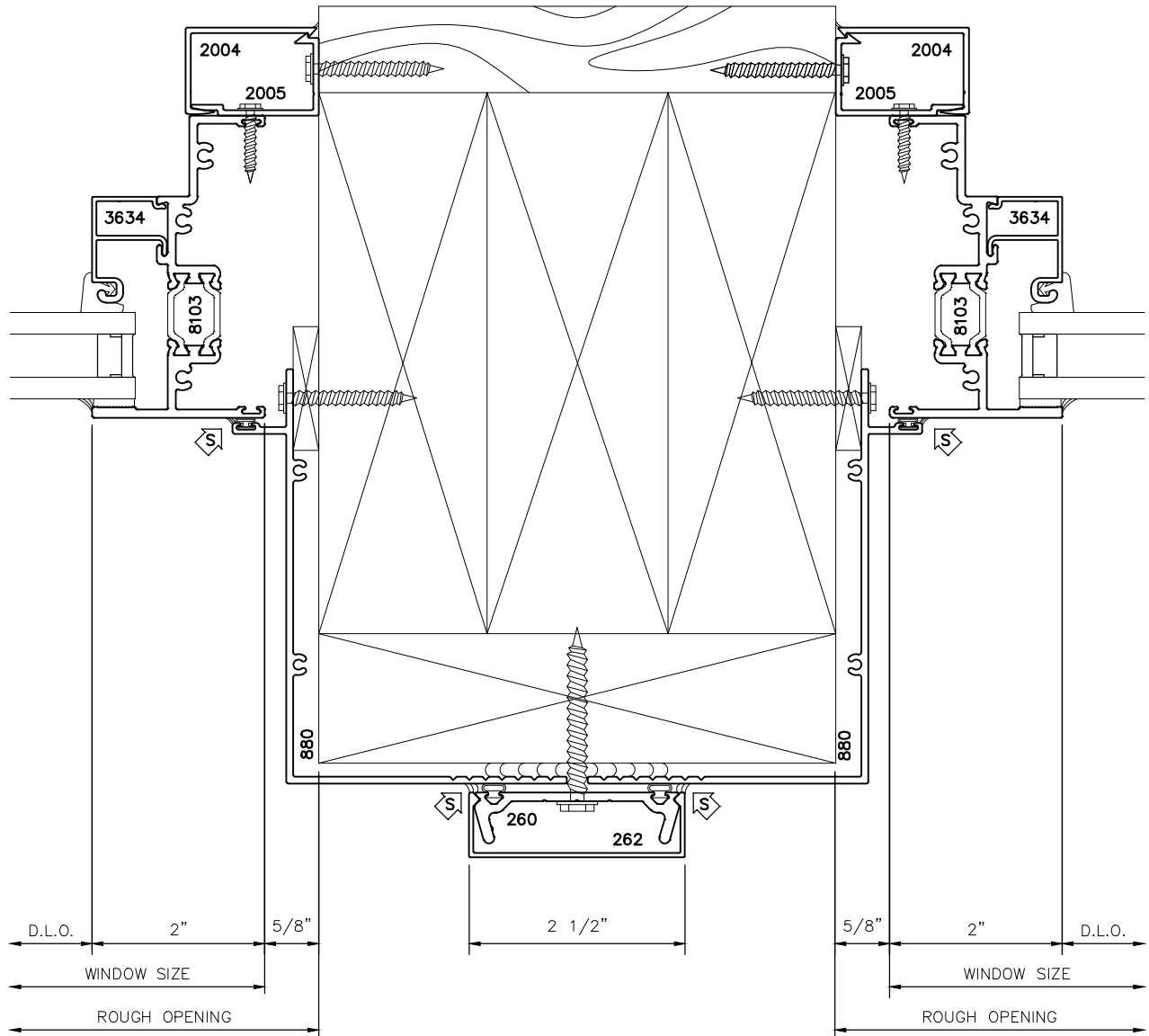
LEFT JAMB

3



3527i SERIES WINDOWS

PANNING-TRIM

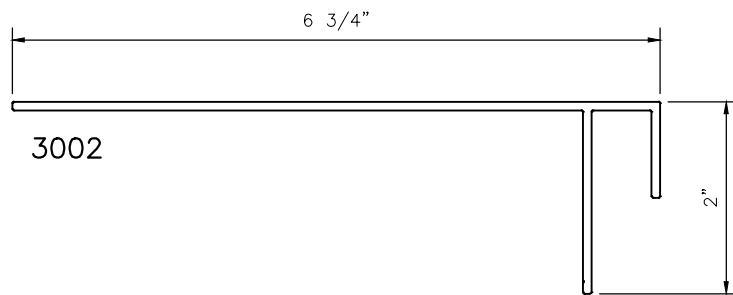
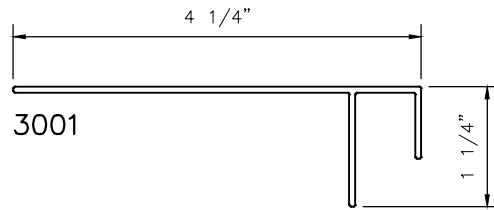
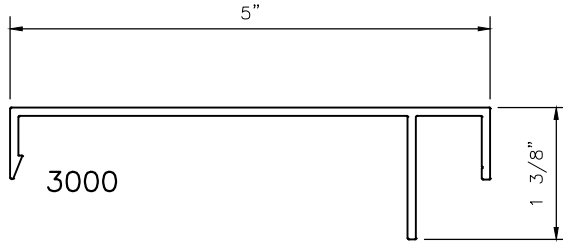


RIGHT & LEFT JAMB
W/ TRIM

4

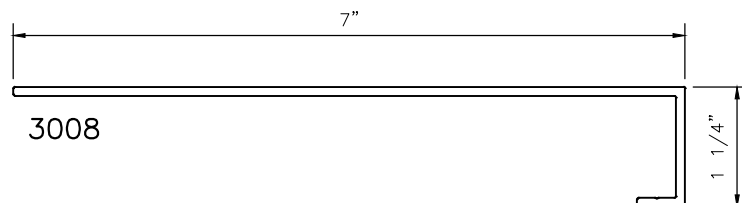
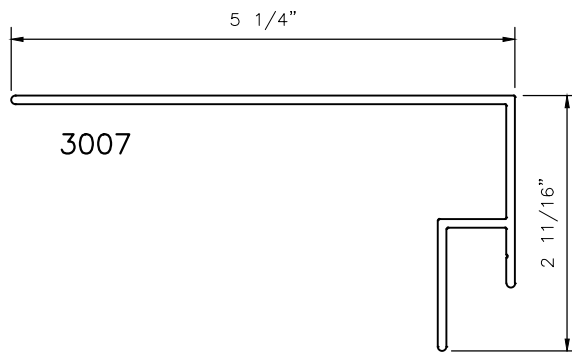
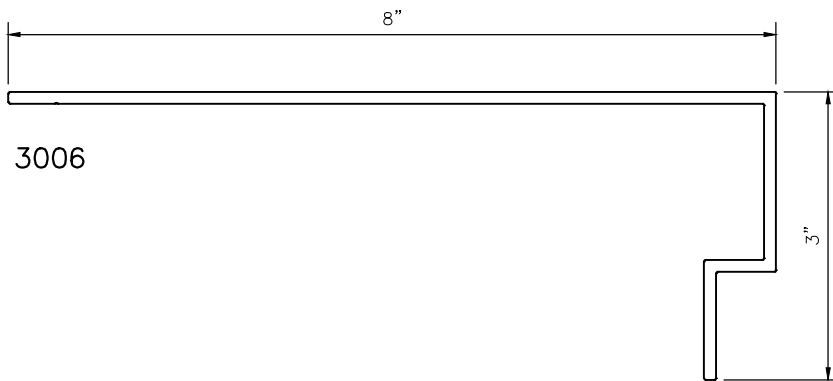
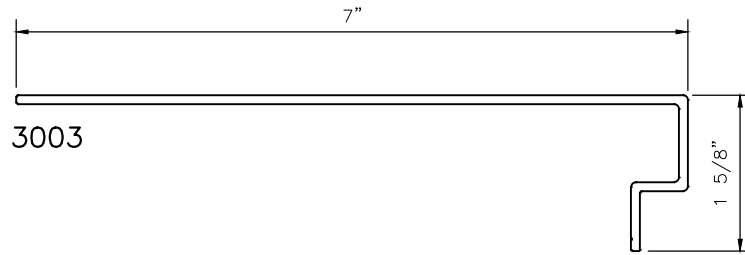


PANNING & SNAP TRIM



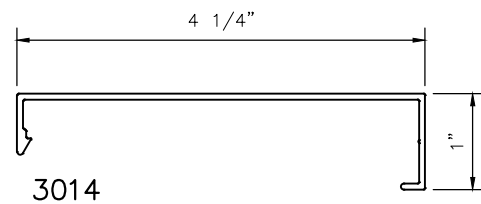
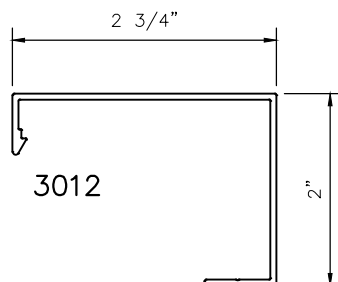
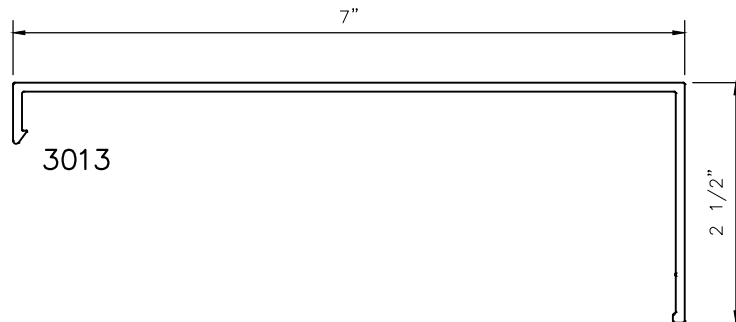
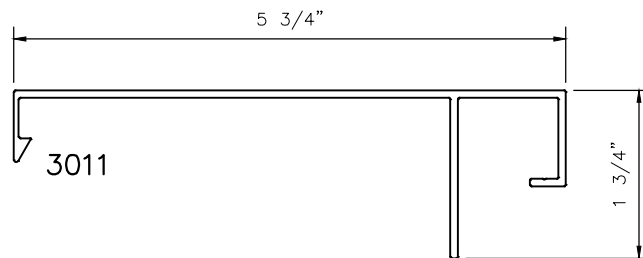
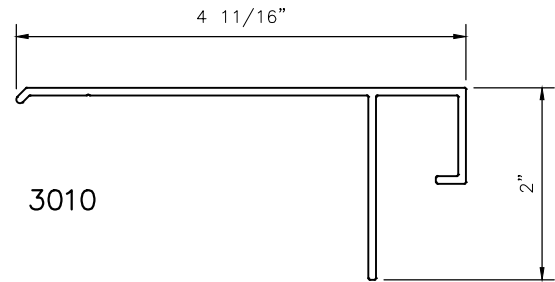
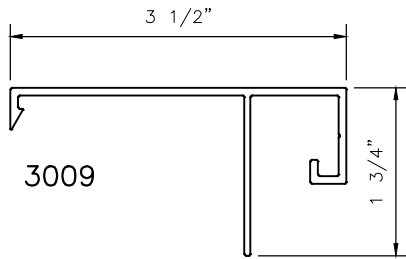


PANNING & SNAP TRIM



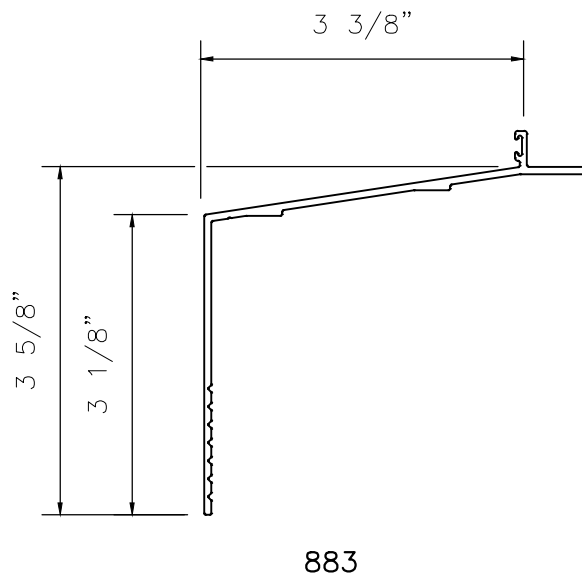
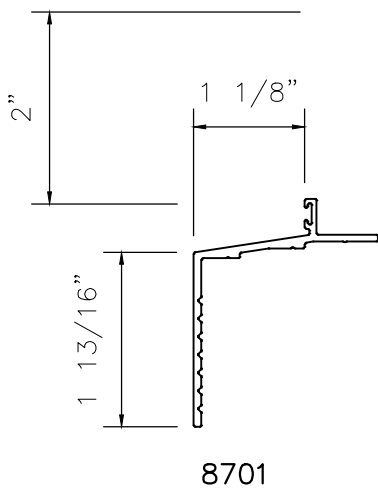
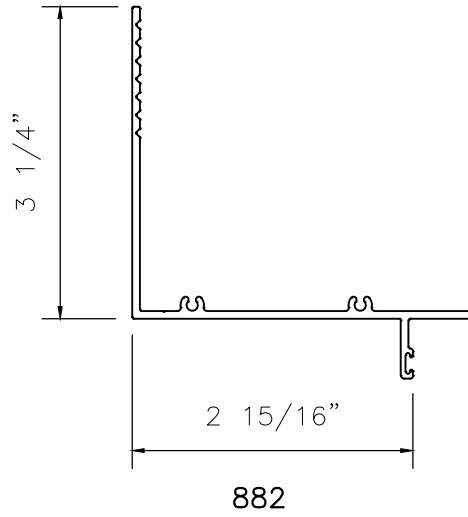
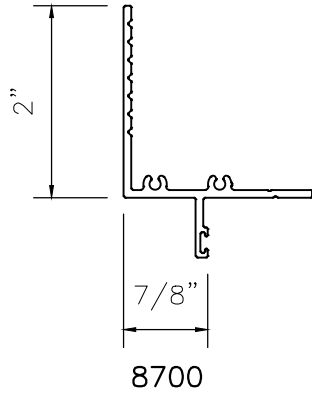


PANNING & SNAP TRIM



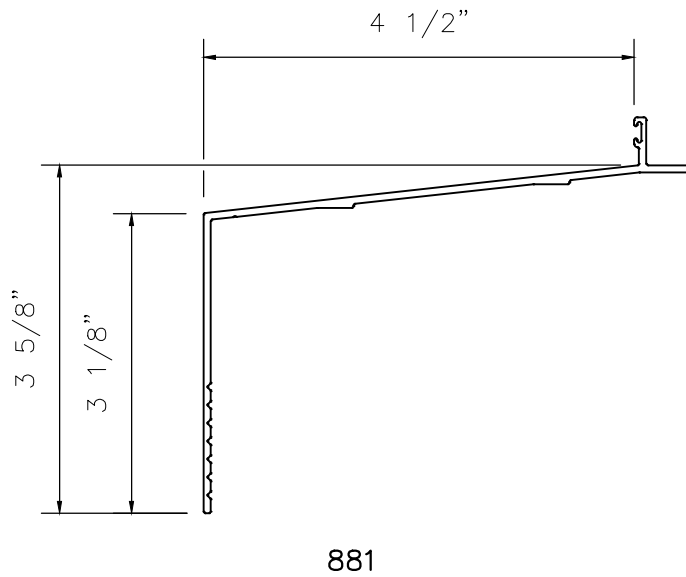
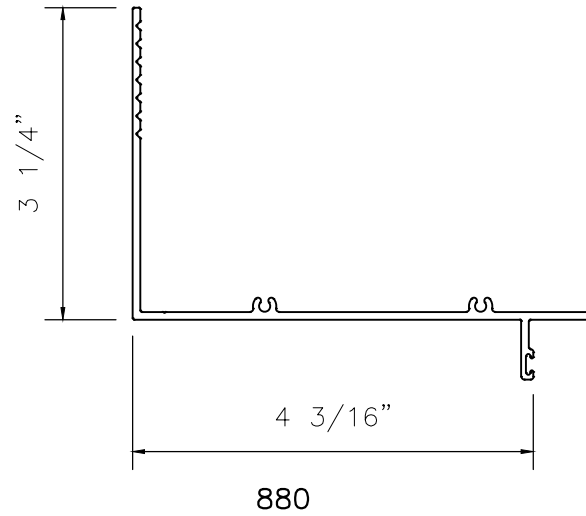


PANNING & SNAP TRIM



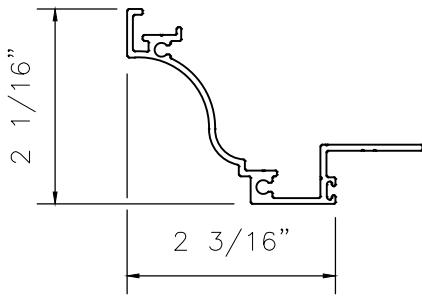


PANNING & SNAP TRIM

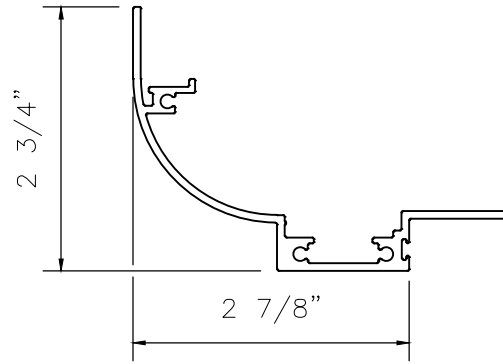




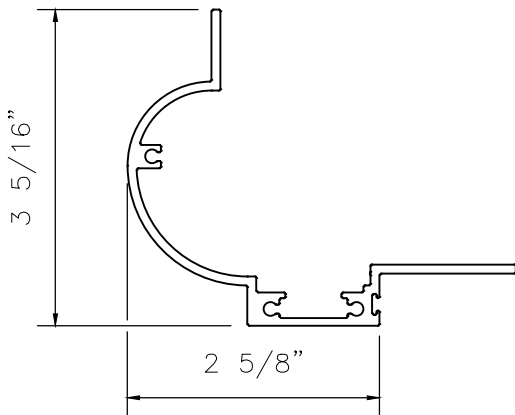
PANNING & SNAP TRIM



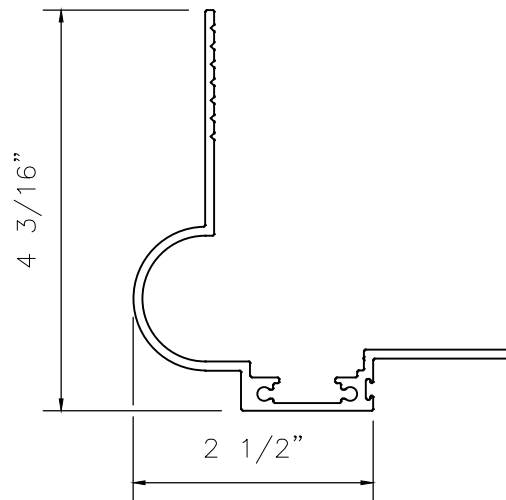
563



885



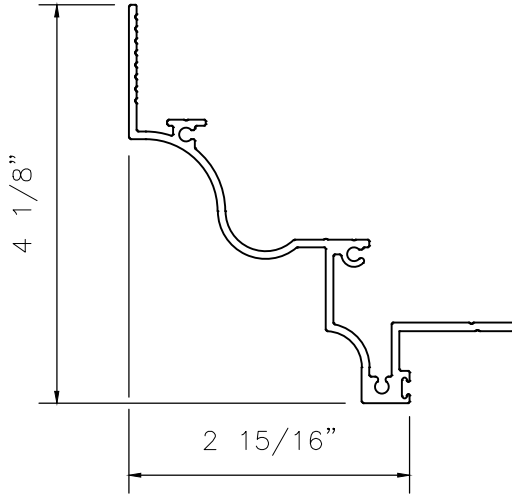
894



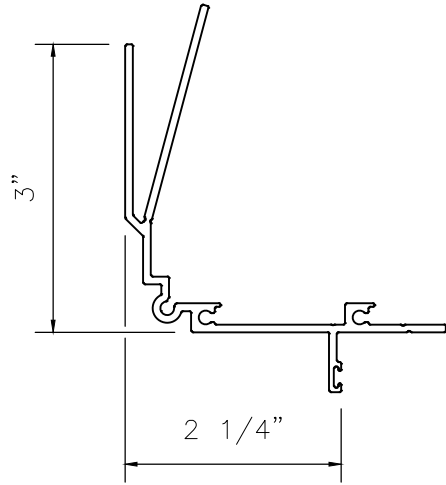
891



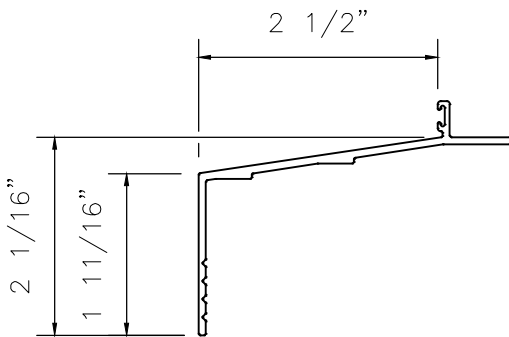
PANNING & SNAP TRIM



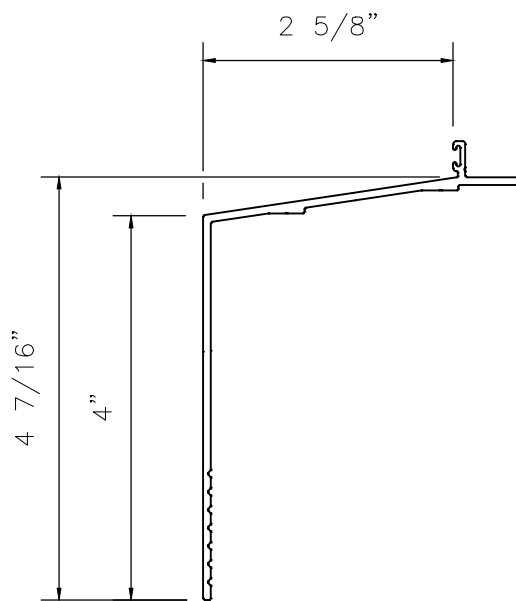
8704



8726



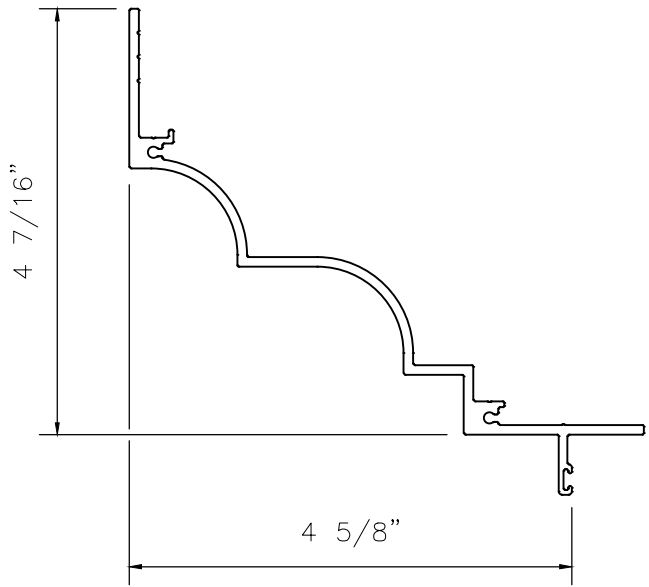
878



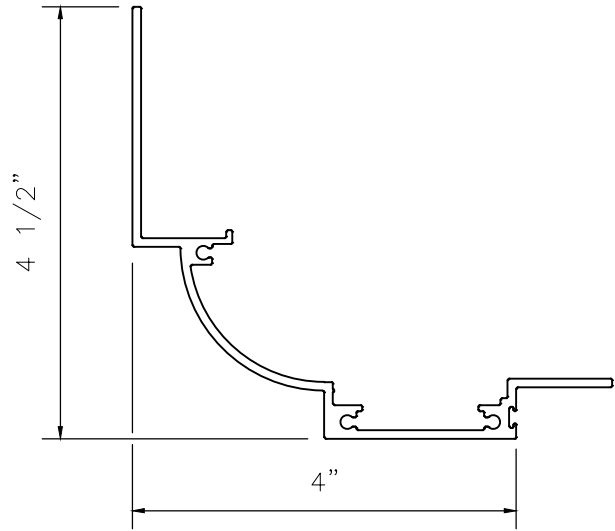
8727



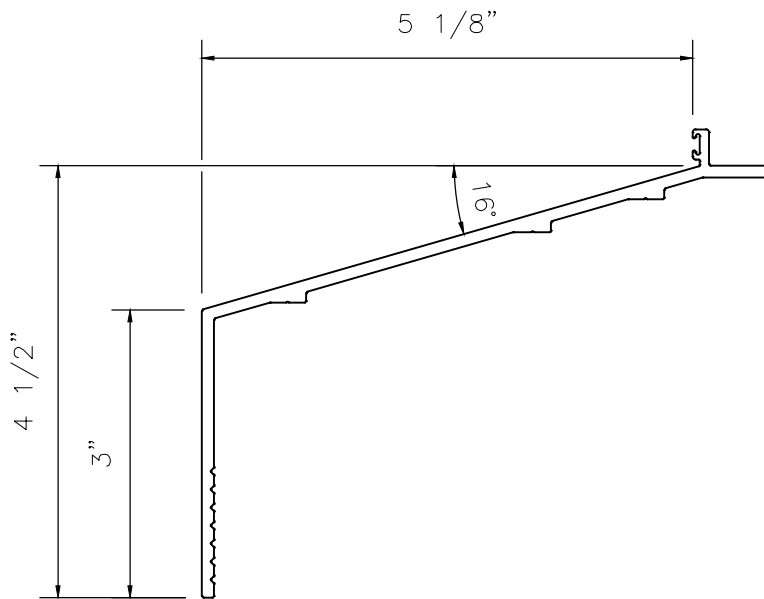
PANNING & SNAP TRIM



874



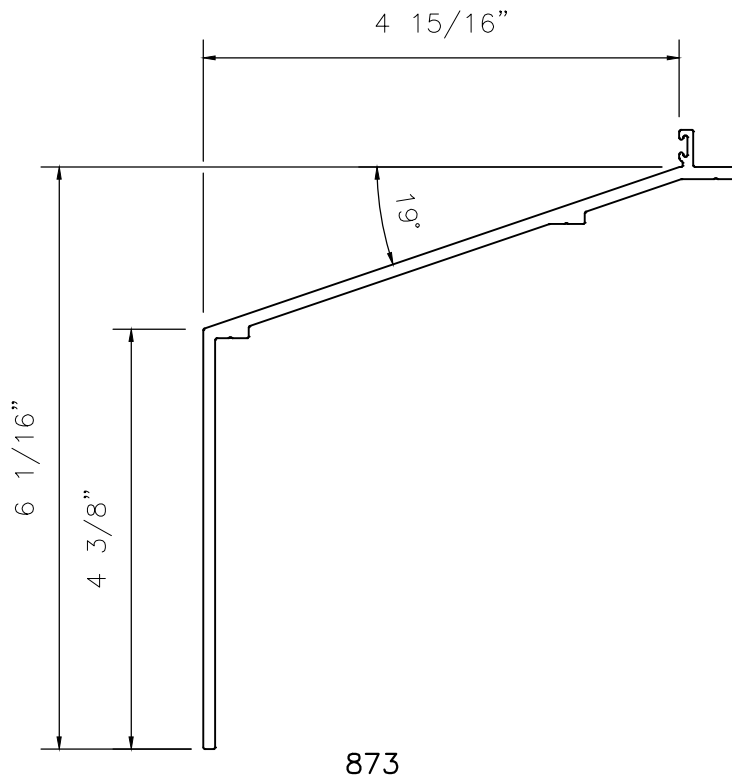
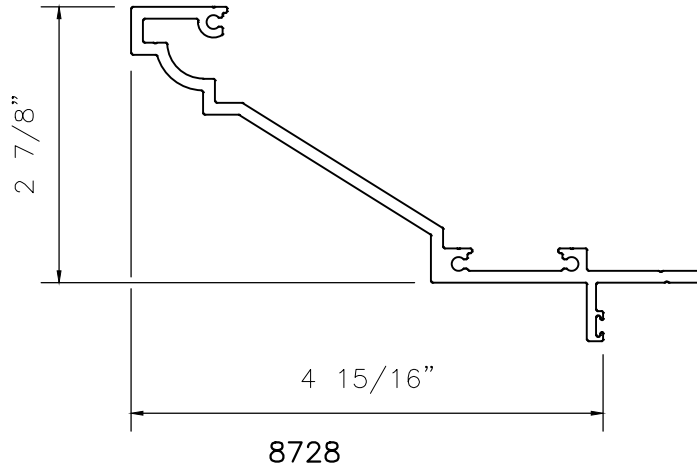
884



8729

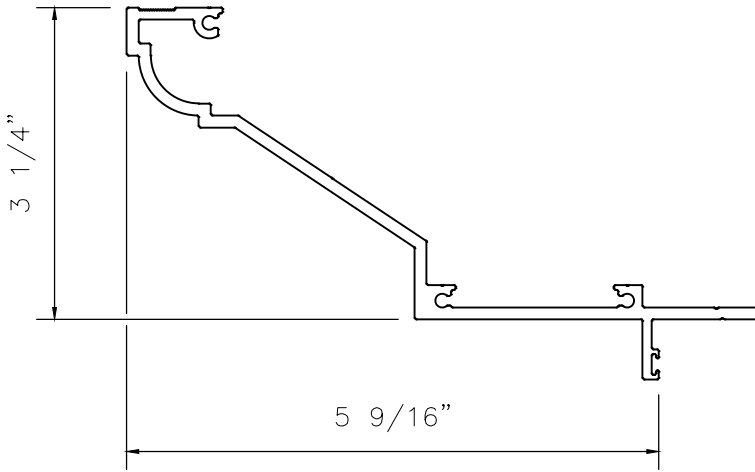


PANNING & SNAP TRIM

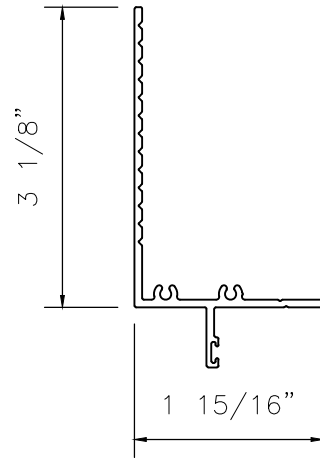




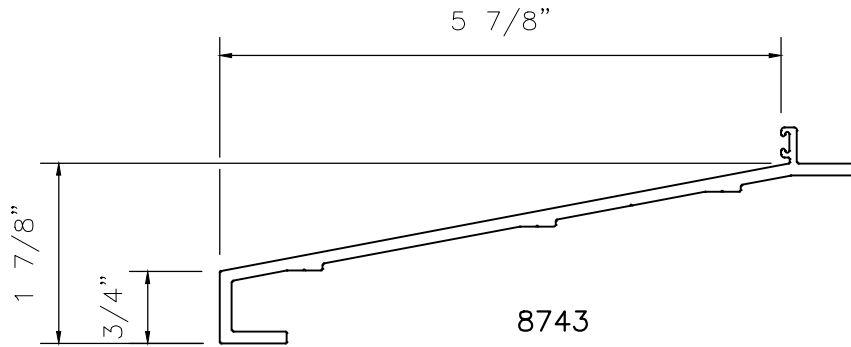
PANNING & SNAP TRIM



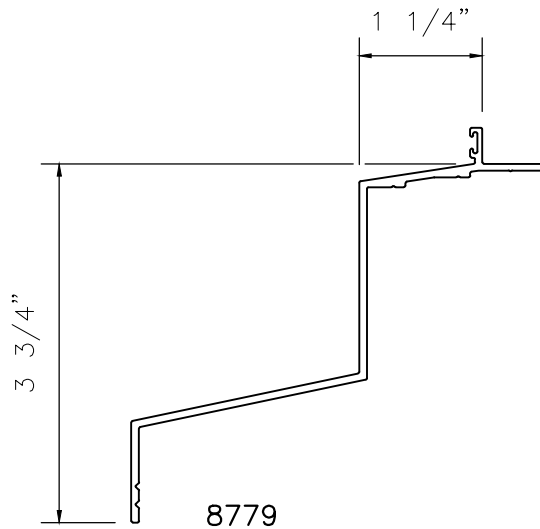
8742



8777



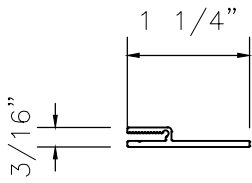
8743



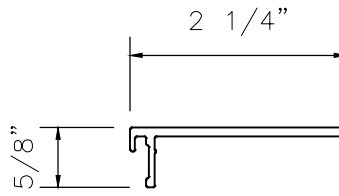
8779



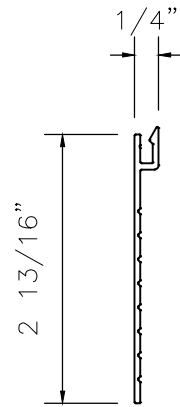
PANNING & SNAP TRIM



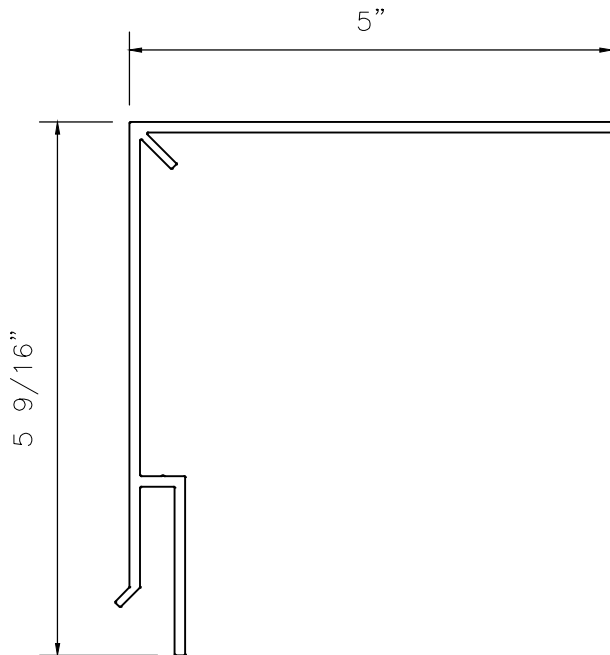
2360



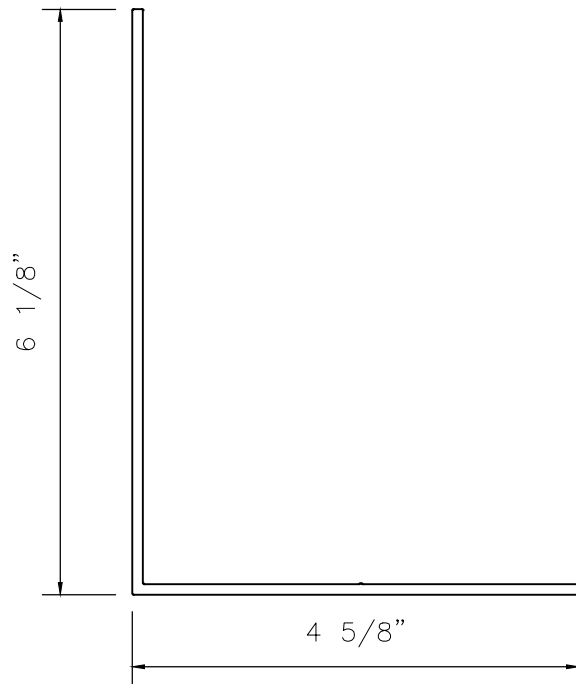
895



893



6

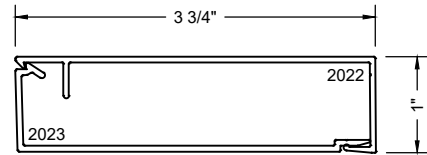
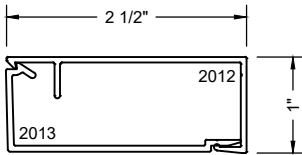
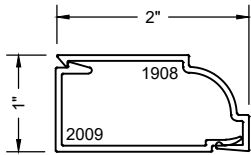
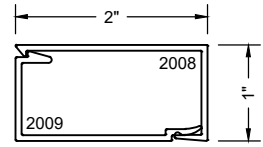
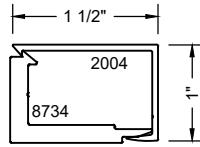
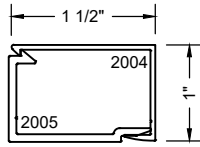
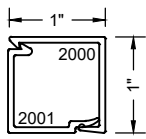


7



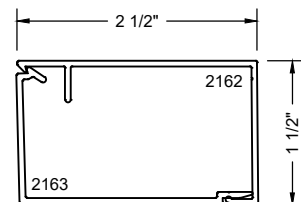
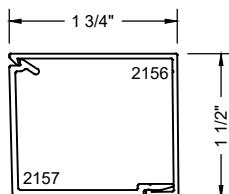
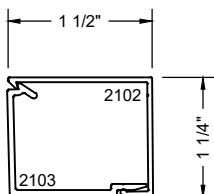
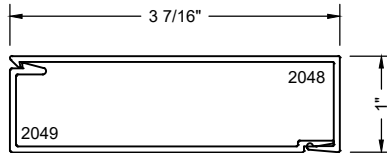
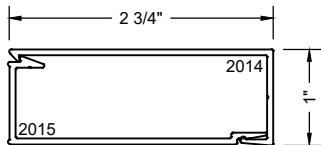
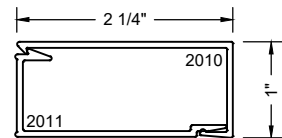
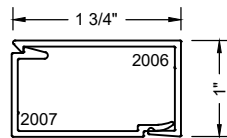
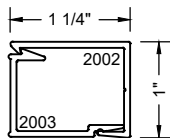
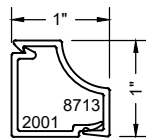
PANNING & SNAP TRIM

STANDARD SNAP TRIM



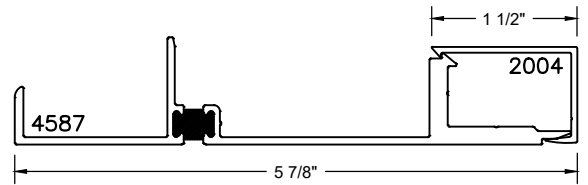
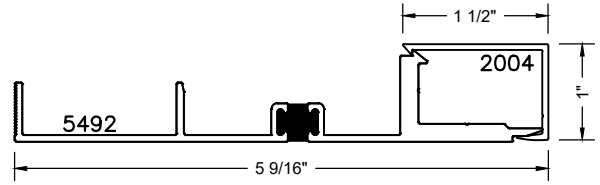
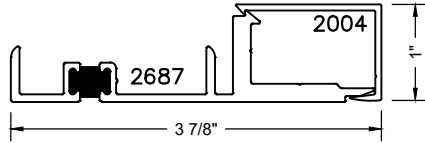
OPTIONAL SNAP TRIM

EXTENDED LEAD TIMES & ADDITIONAL CHARGES MAY APPLY





PANNING & SNAP TRIM



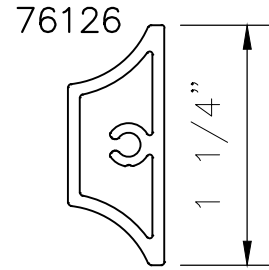
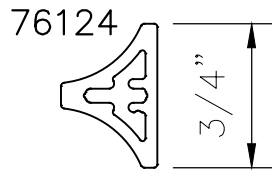


GRID PROFILES

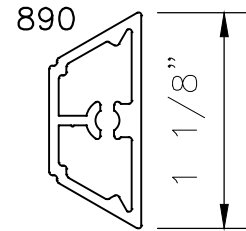
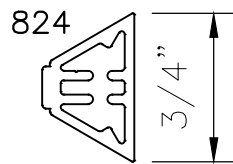
2727i-GO / 3232xpt-GO

3527i-GO / 4032xpt-GO

4527i-GO / 5032xpt-GO



COVE



BEVELED