



MANKO

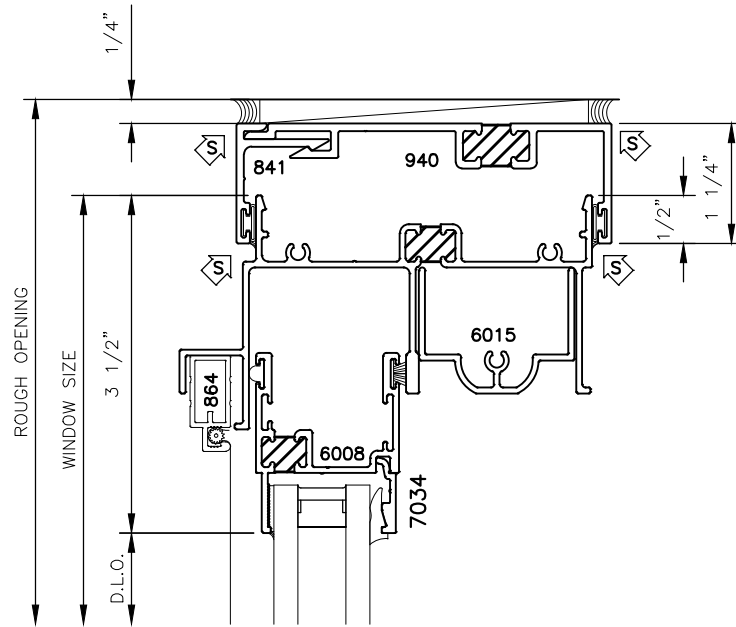
WINDOW SYSTEMS INC.

6035 Series Accessory Details

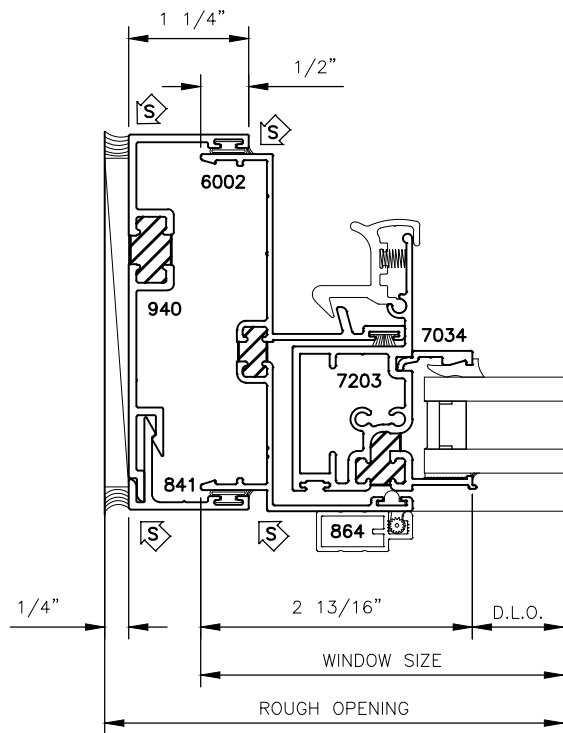
Table of Contents

Receptors.....	1
Sill Starters.....	2-3
Vertical Mullions.....	4-6
Panning / Trim.....	7-10

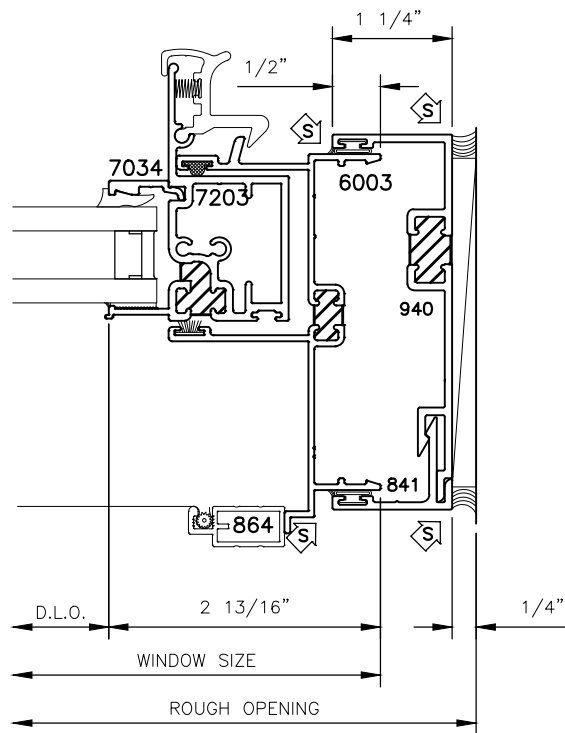
6035 SERIES WINDOWS RECEPTORS



HEAD



LEFT JAMB

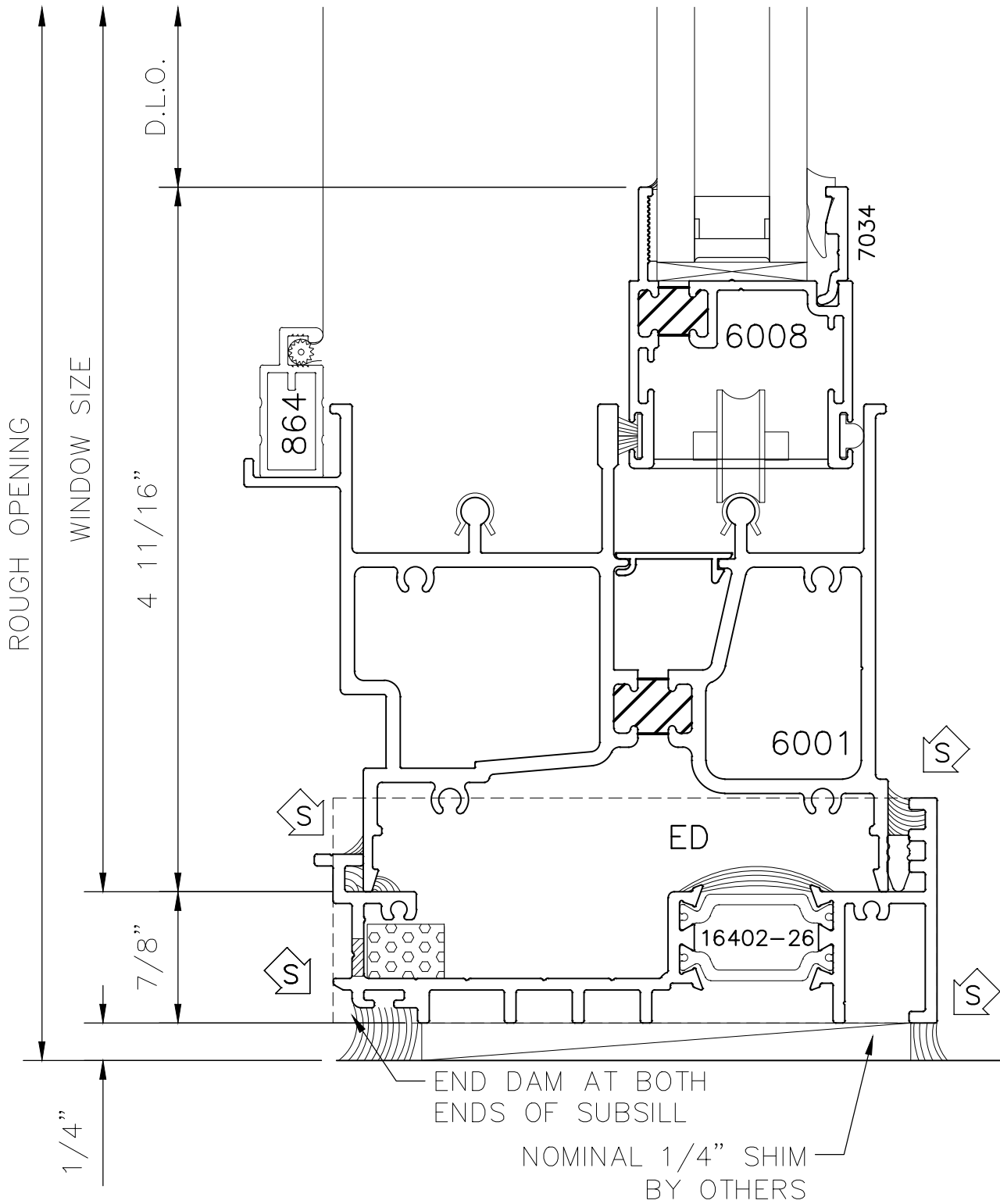


RIGHT JAMB



6035 SERIES WINDOWS

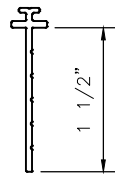
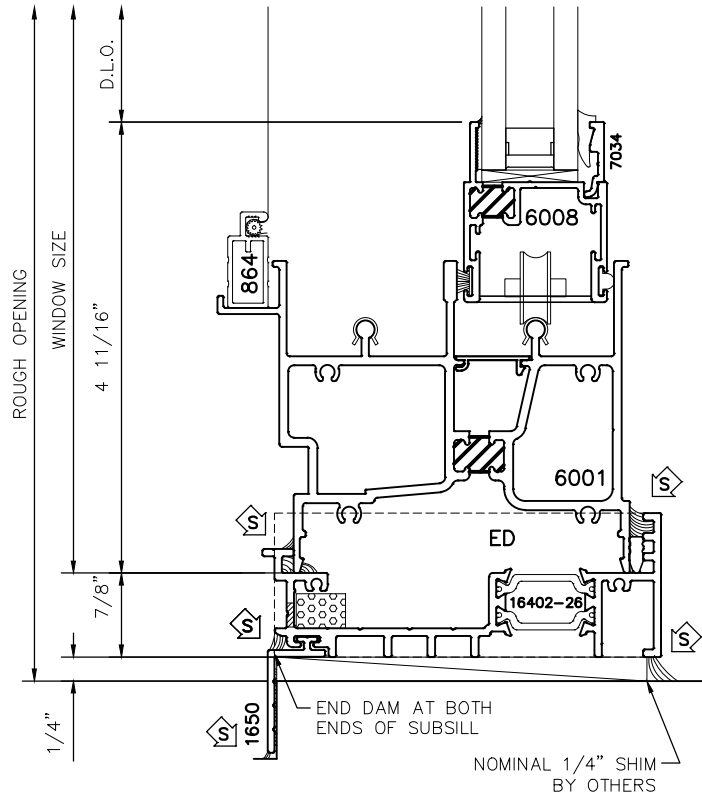
SILL STARTER



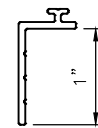


6035 SERIES WINDOWS

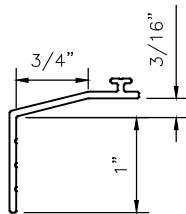
SILL STARTER WITH EXTENSIONS



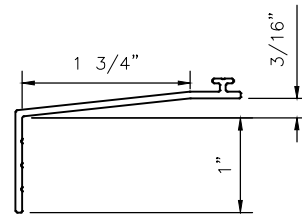
87050



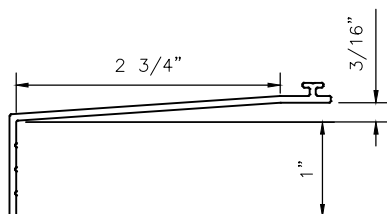
1650



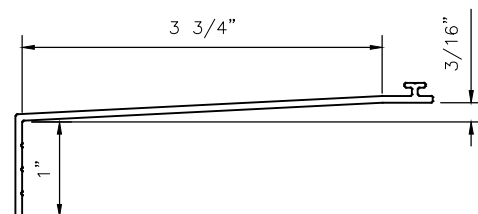
1651



1652



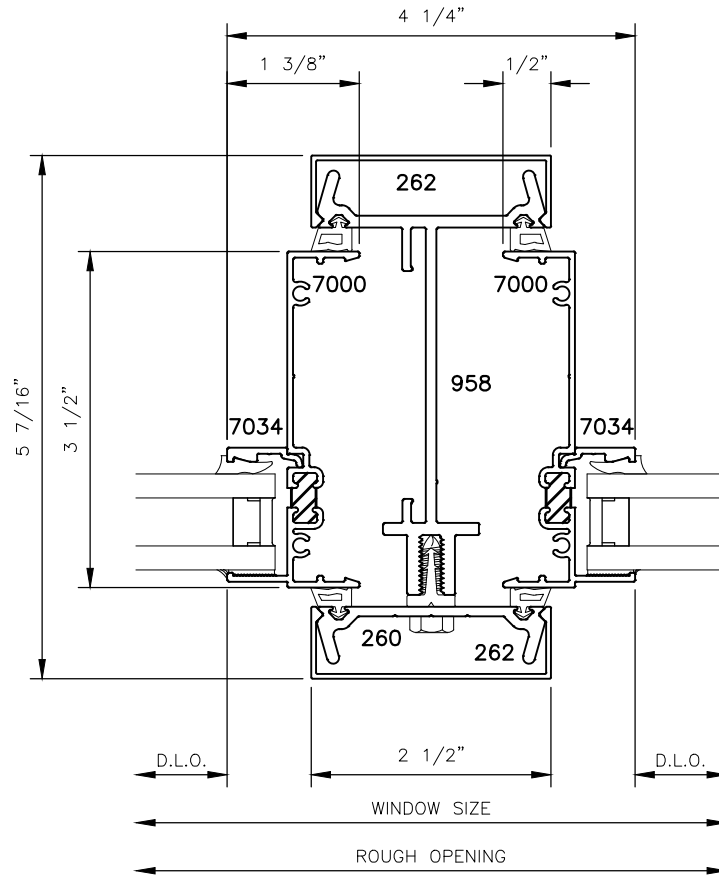
1653



1654

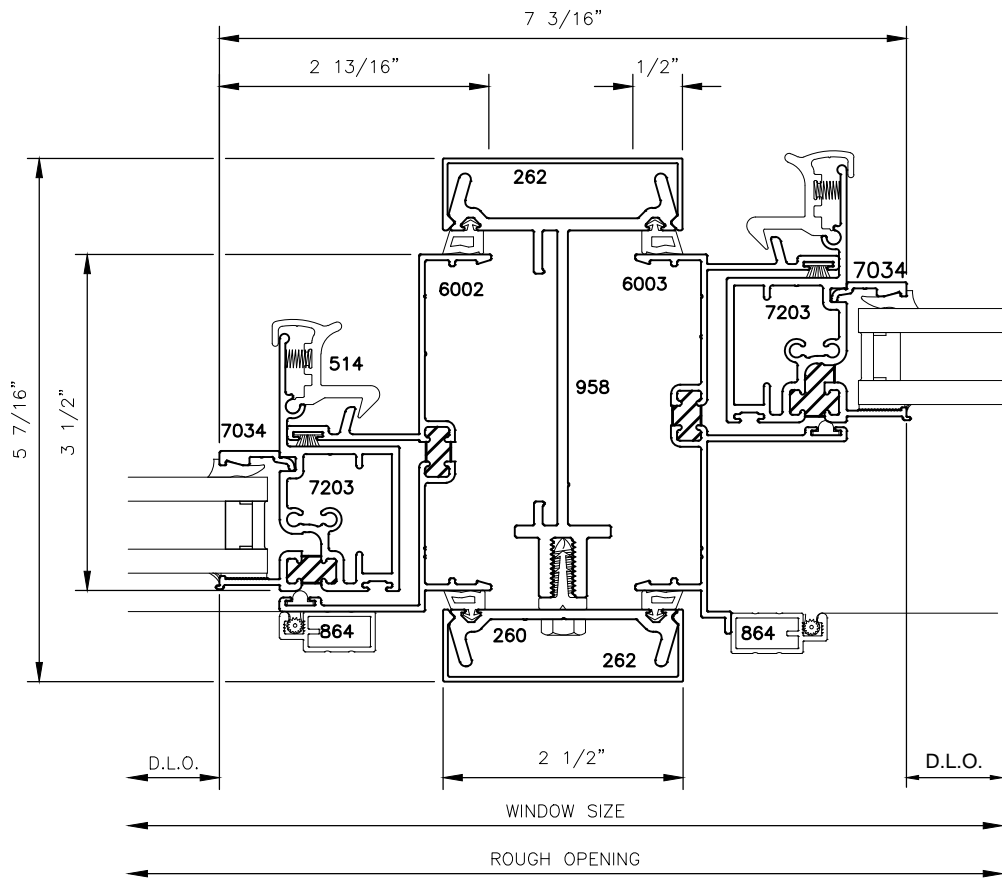


6035 3 1/2" SERIES HORIZONTAL SLIDING & FIXED WINDOW SYSTEM VERTICAL MULLION DETAILS



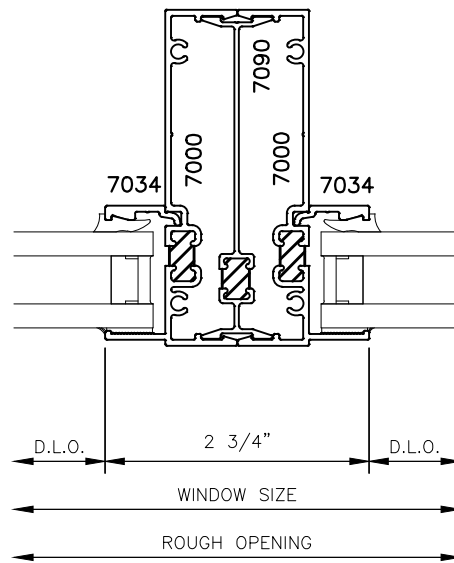


3 1/2" SERIES HORIZONTAL 6035 SLIDING & FIXED WINDOW SYSTEM VERTICAL MULLION DETAILS



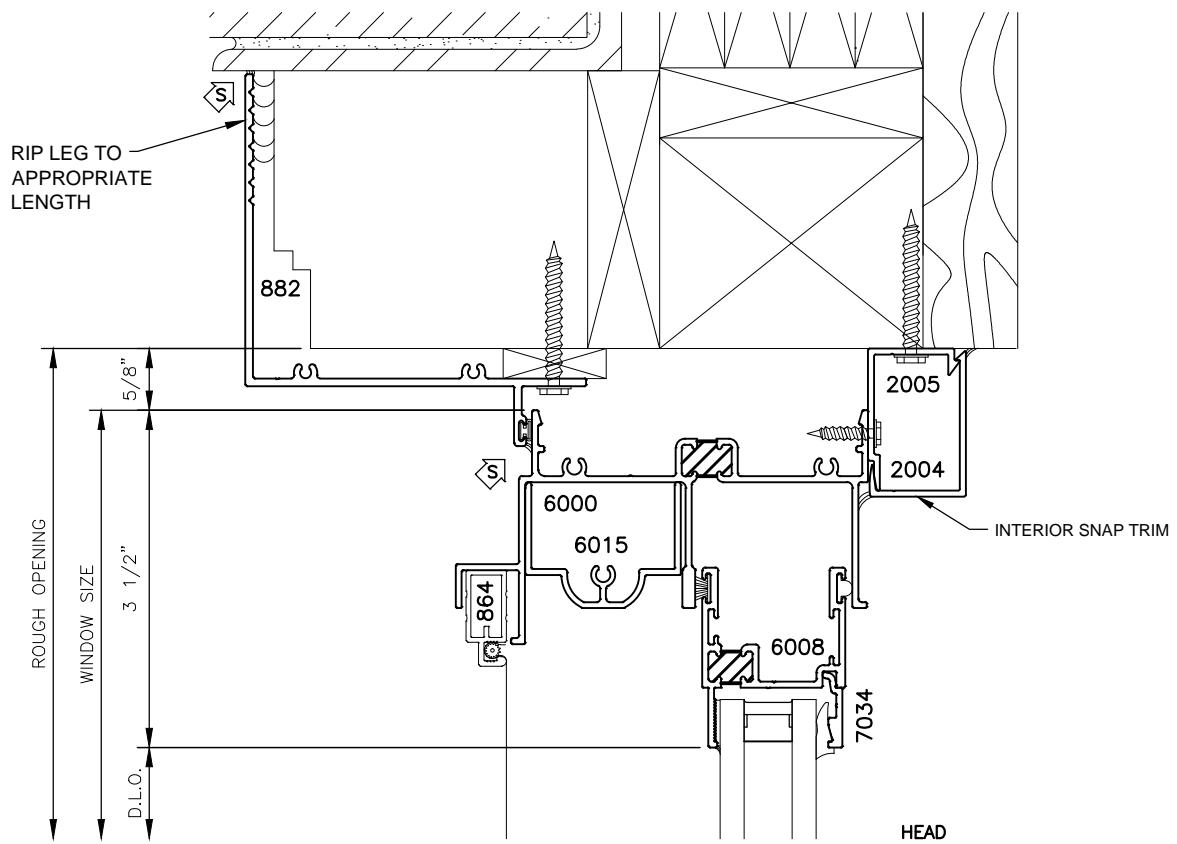


6035 3 1/2" SERIES HORIZONTAL SLIDING & FIXED WINDOW SYSTEM STACK MULLION DETAILS



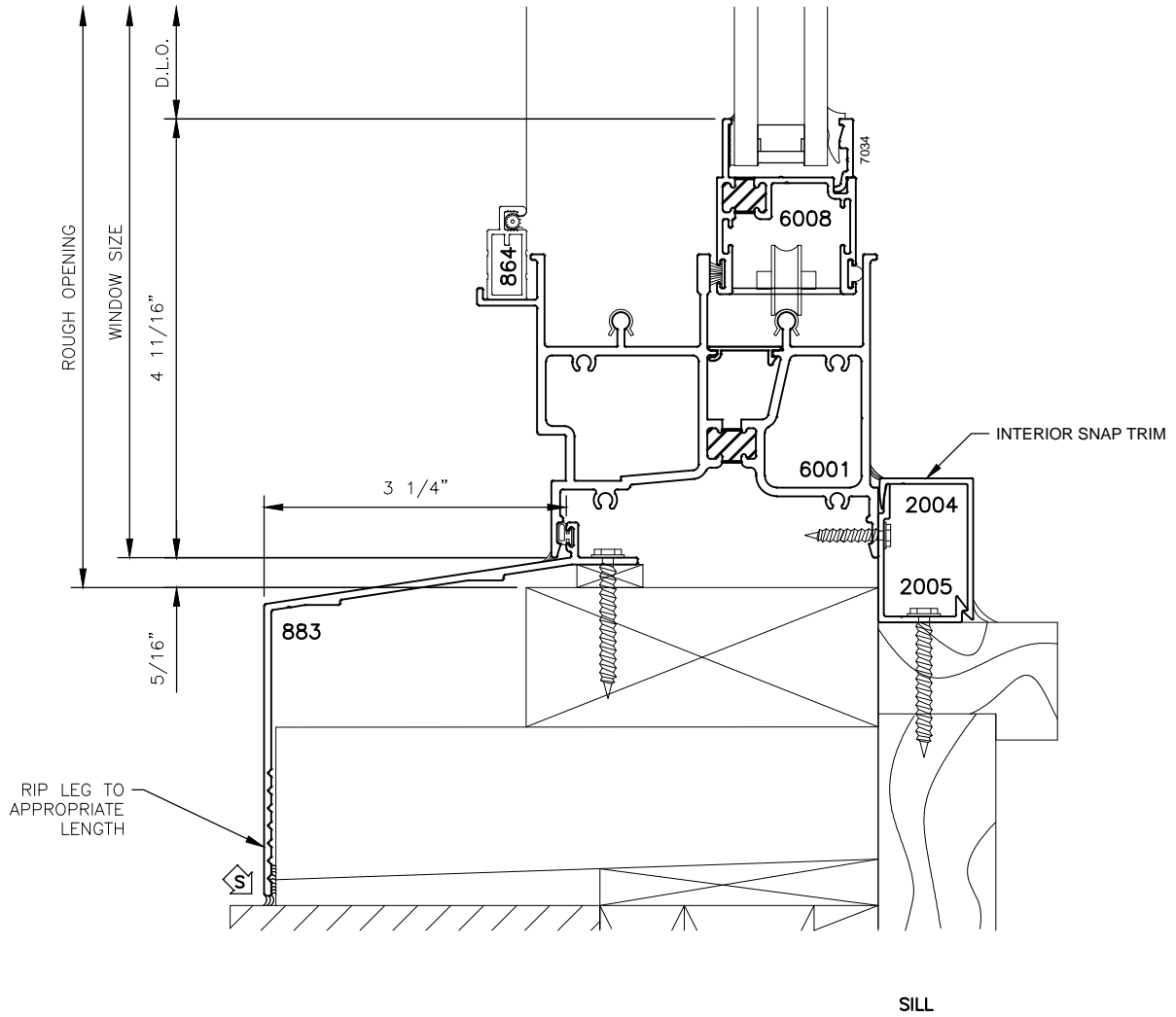


6035 SERIES WINDOWS PANNING-TRIM



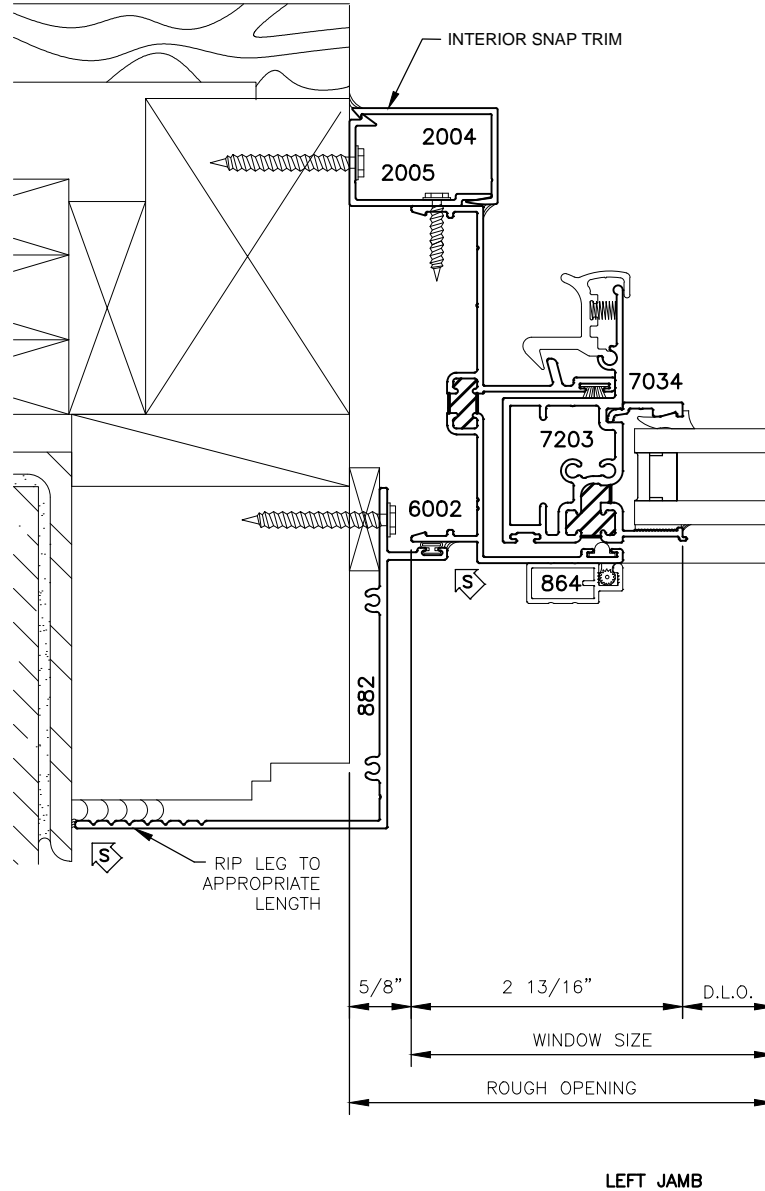


6035 SERIES WINDOWS PANNING-TRIM





6035 SERIES WINDOWS PANNING-TRIM





6035 SERIES WINDOWS

PANNING-TRIM

