



MANKO

WINDOW SYSTEMS INC.

6041 Series Accessory Details

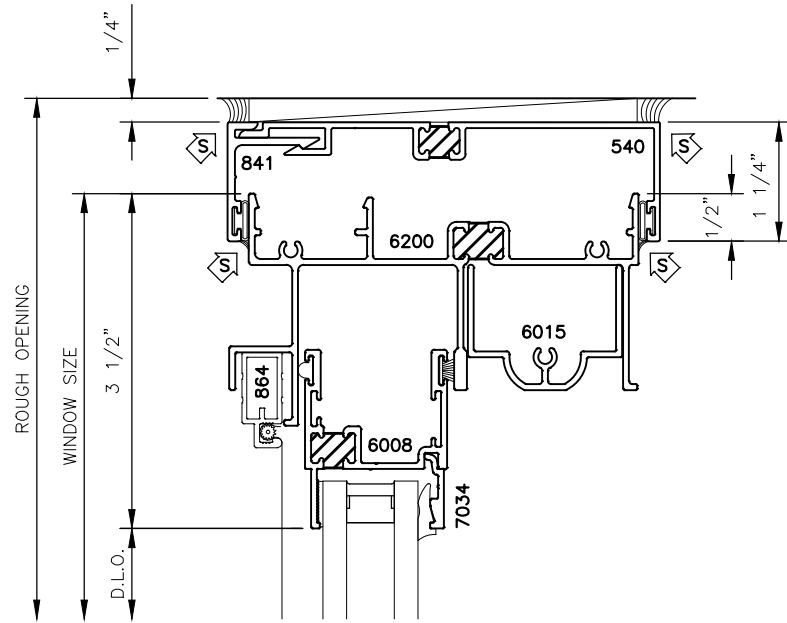
Table of Contents

Receptors.....	1
Sill Starters.....	2-3
Vertical Mullions.....	4-6
Panning / Trim.....	7-10

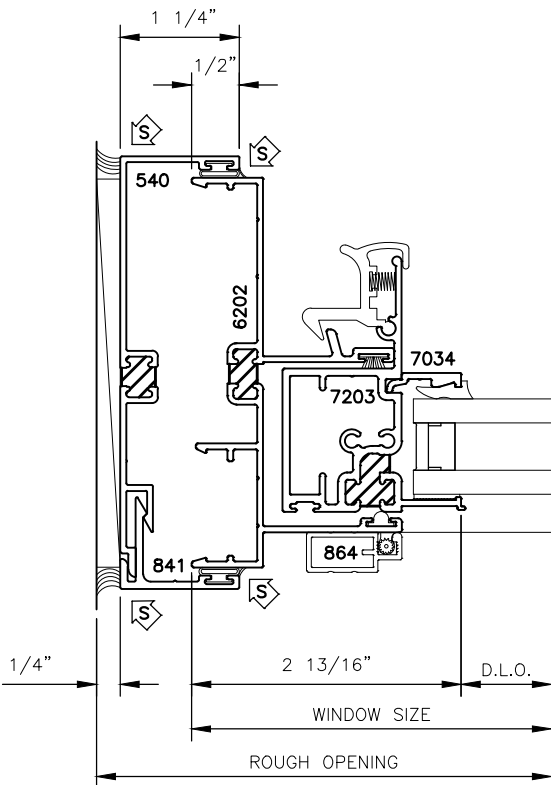


6041 SERIES WINDOWS

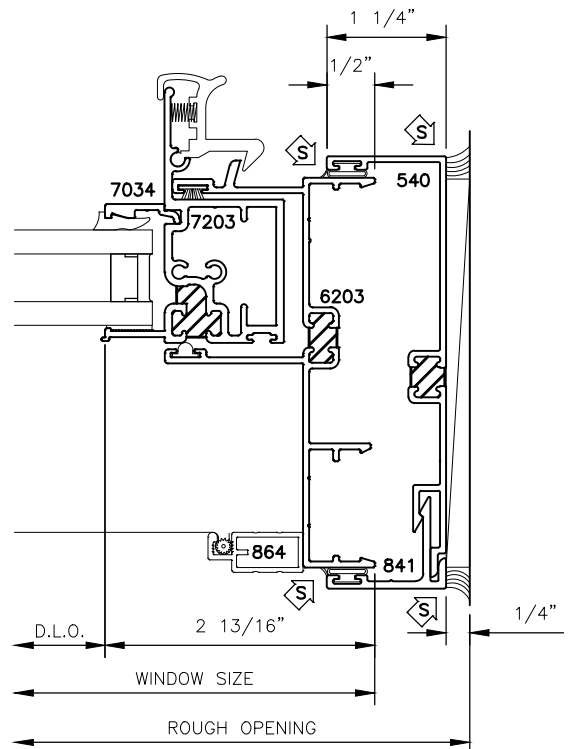
RECEPTORS



HEAD



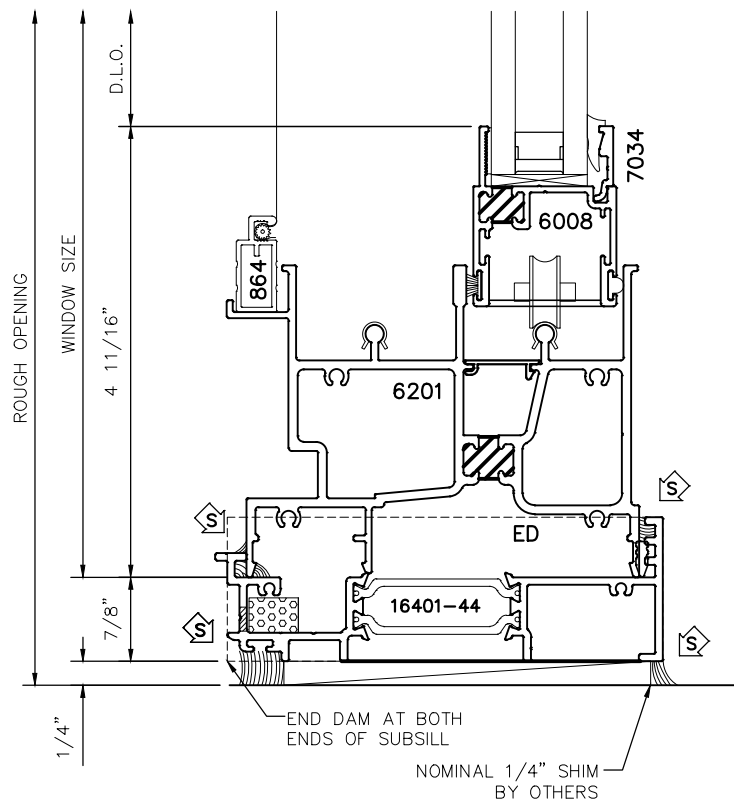
LEFT JAMB



RIGHT JAMB



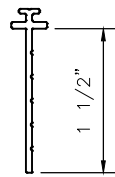
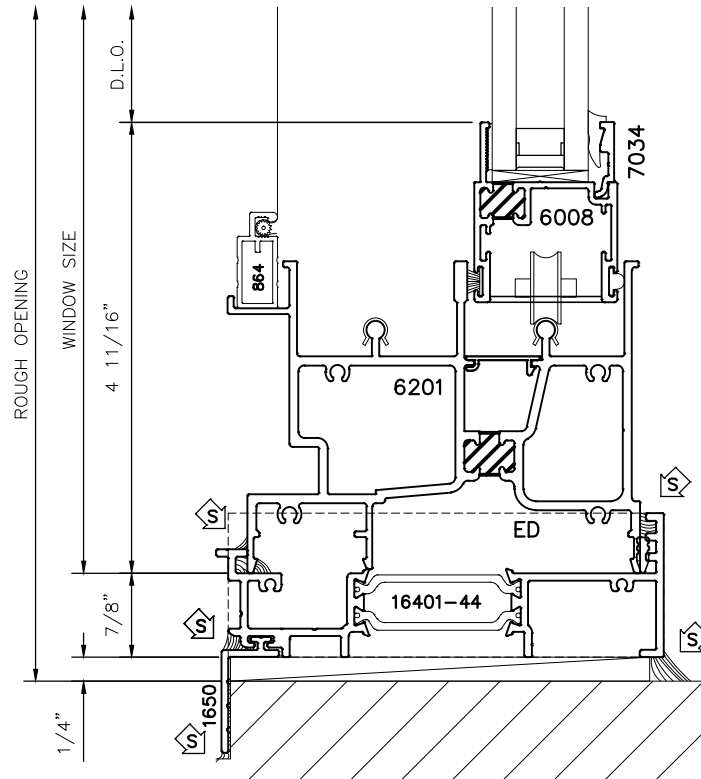
6041 SERIES WINDOWS SILL STARTER



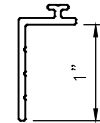


6041 SERIES WINDOWS

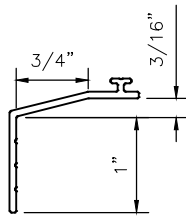
SILL STARTER WITH EXTENSION



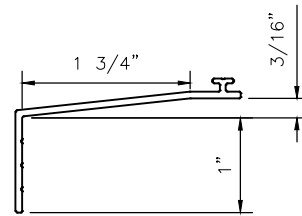
87050



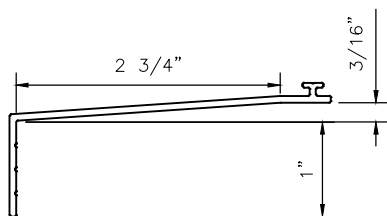
1650



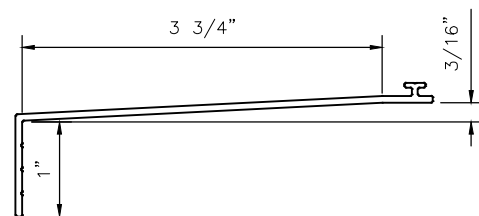
1651



1652



1653

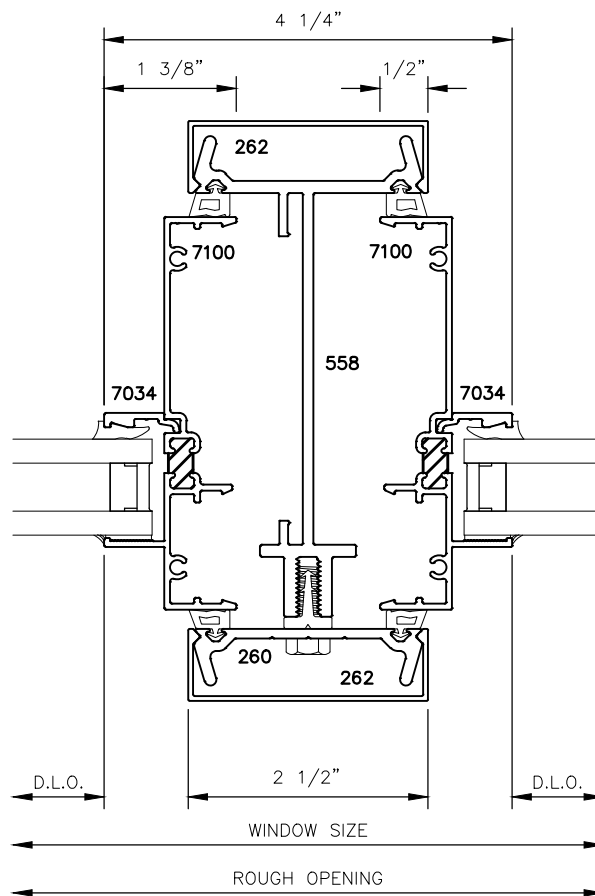


1654



6041 SERIES WINDOWS

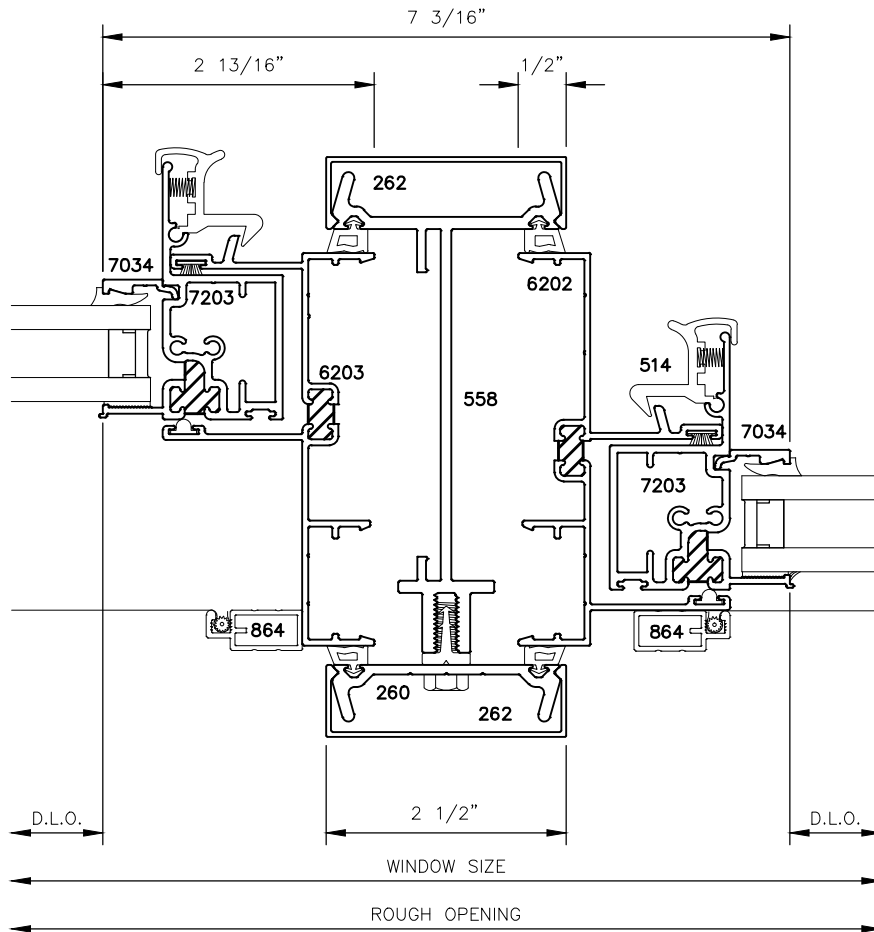
VERTICAL MULLIONS-558 FIXED





6041 SERIES WINDOWS

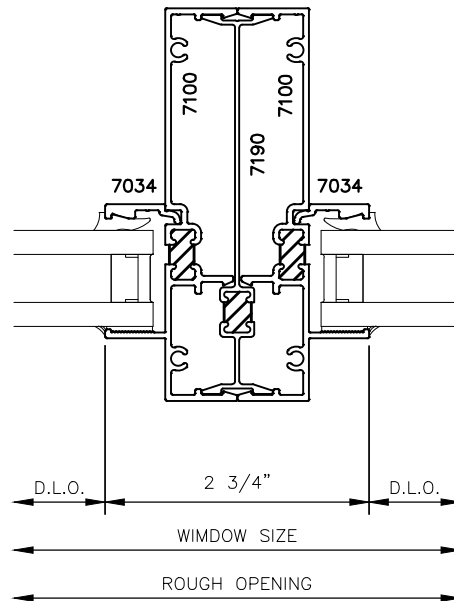
VERTICAL MULLIONS-558 SLIDER





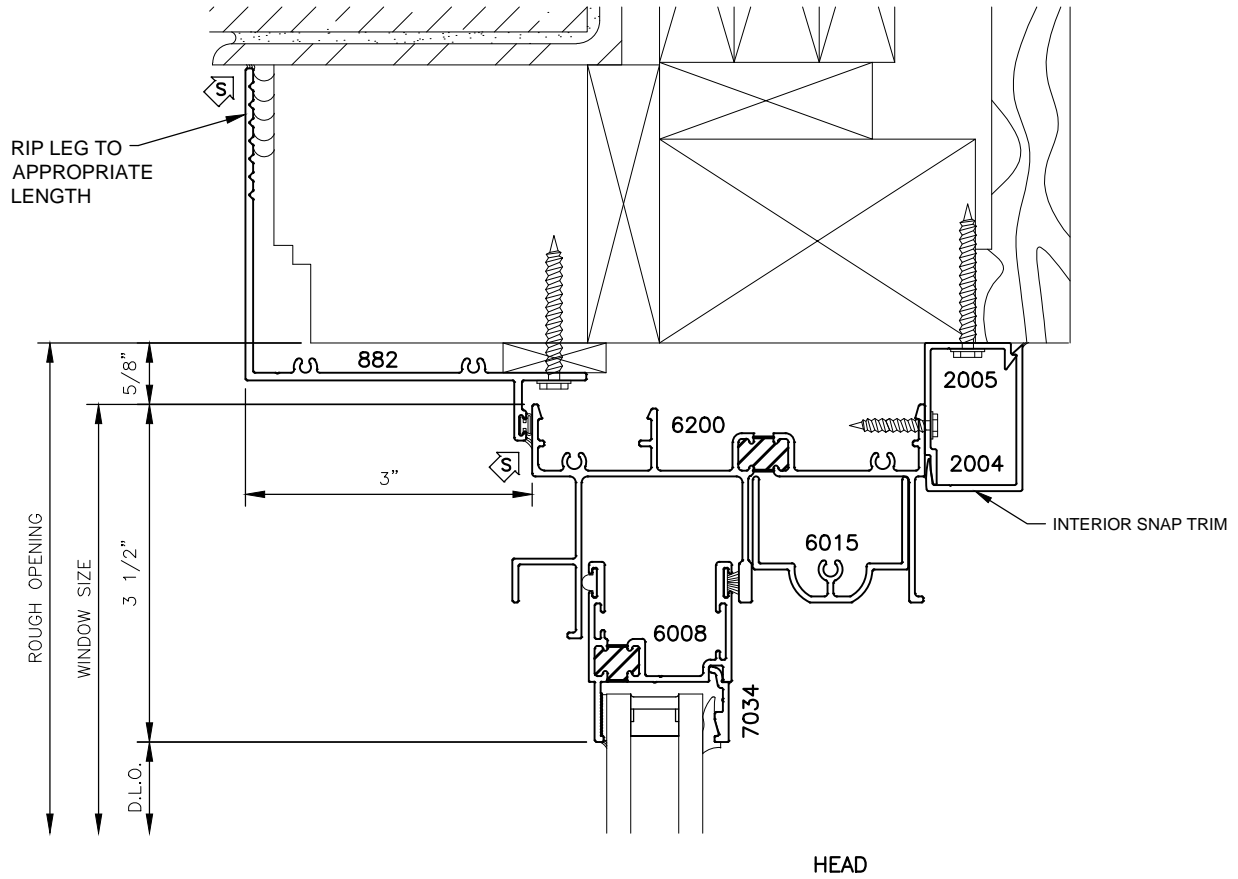
6041 SERIES WINDOWS

VERTICAL MULLIONS-7190



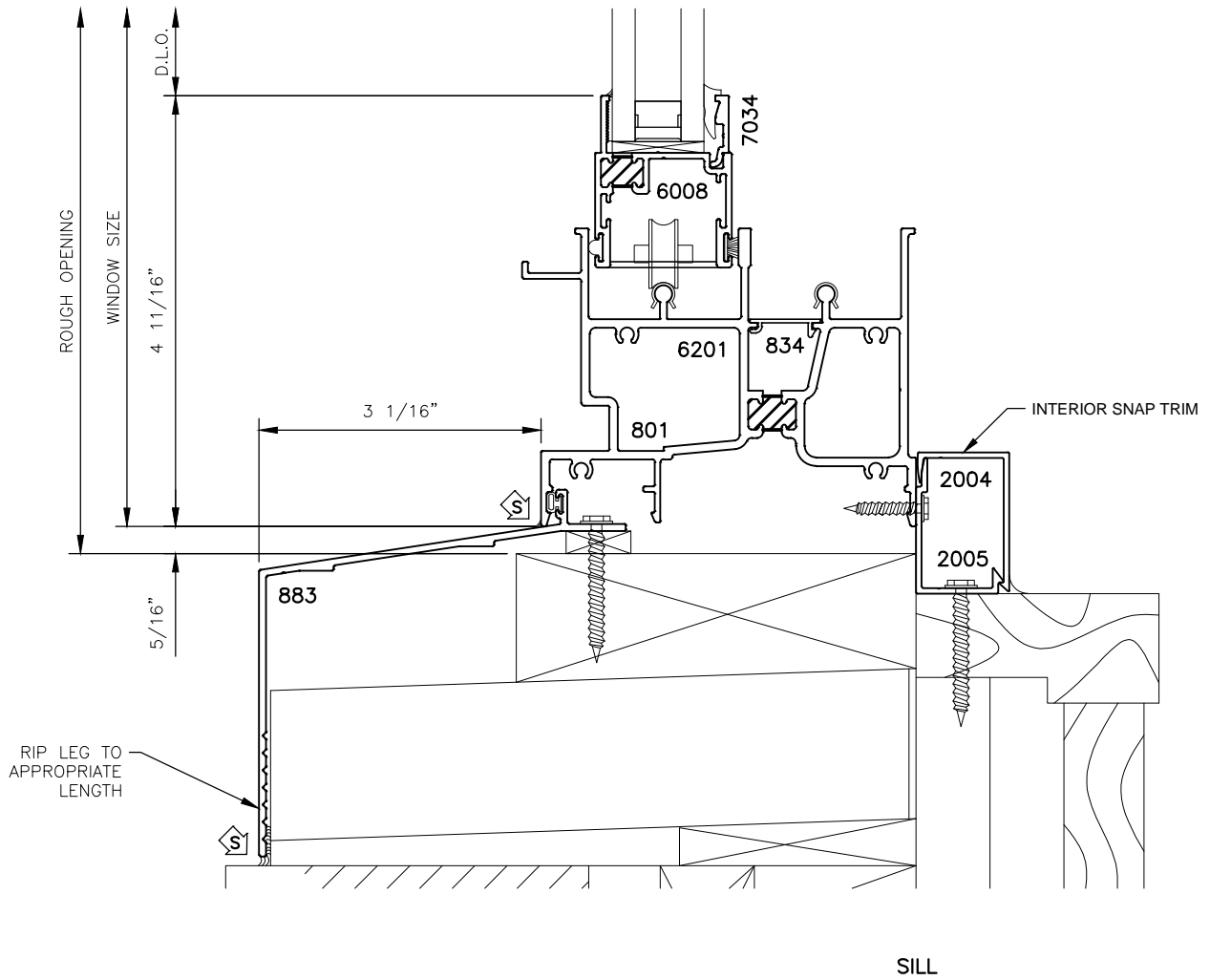


6041 SERIES WINDOWS PANNING-TRIM



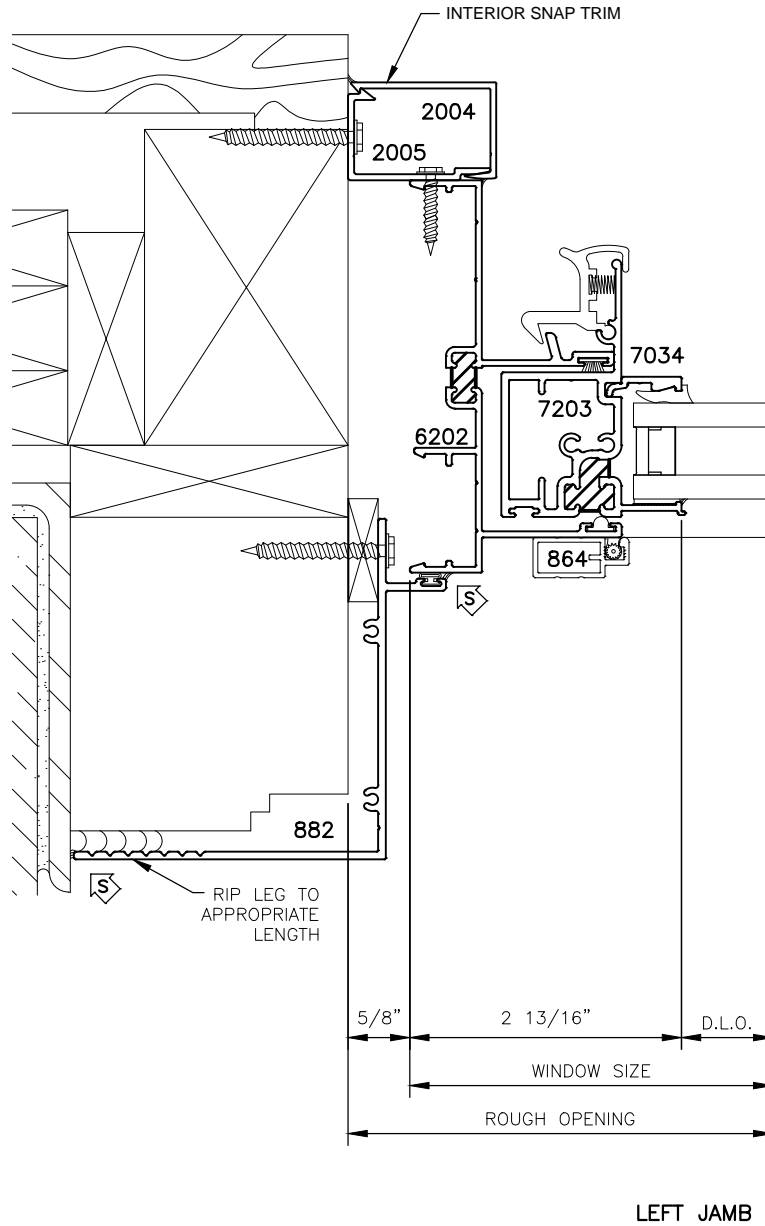


6041 SERIES WINDOWS PANNING-TRIM





6041 SERIES WINDOWS PANNING-TRIM





6041 SERIES WINDOWS

PANNING-TRIM

