



MANKO

WINDOW SYSTEMS INC.

7035 Series Accessory Details

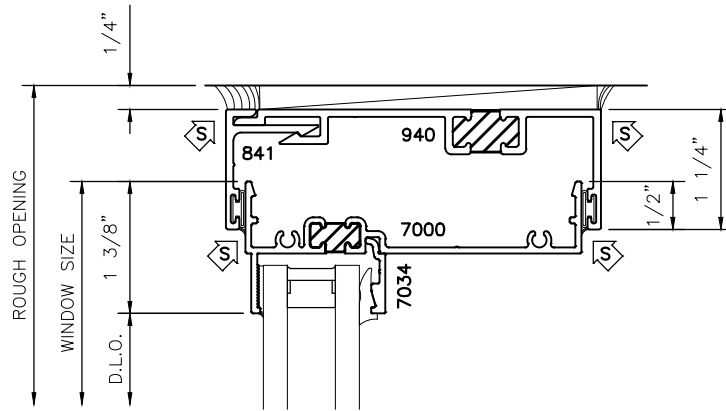
Table of Contents

Receptors.....	1
Sill Starters.....	2-3
Vertical Mullions.....	4-6
Panning / Trim.....	7-10

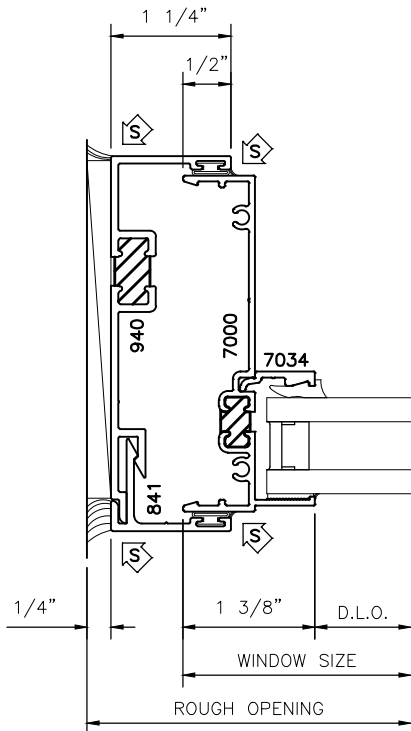


7035

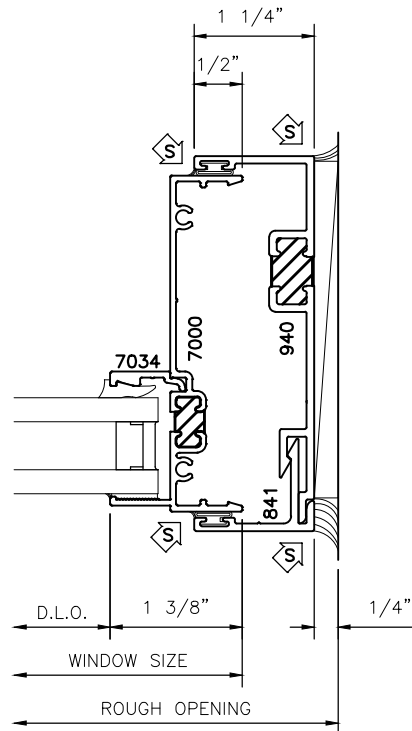
3 1/2" SERIES HUNG & FIXED WINDOW SYSTEM RECEPTOR DETAILS



HEAD



LEFT JAMB

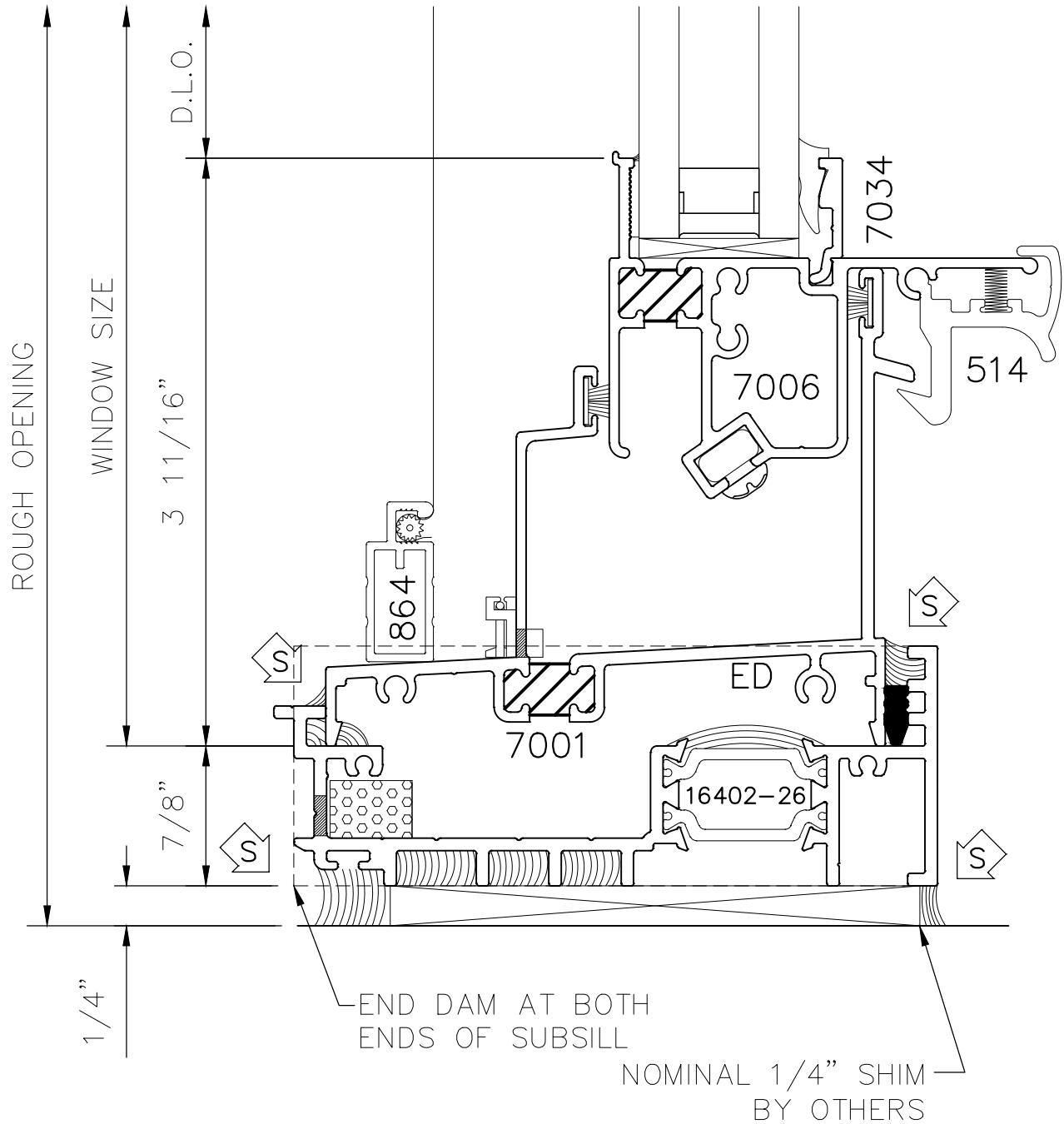


RIGHT JAMB



7035

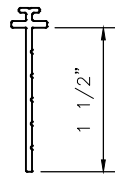
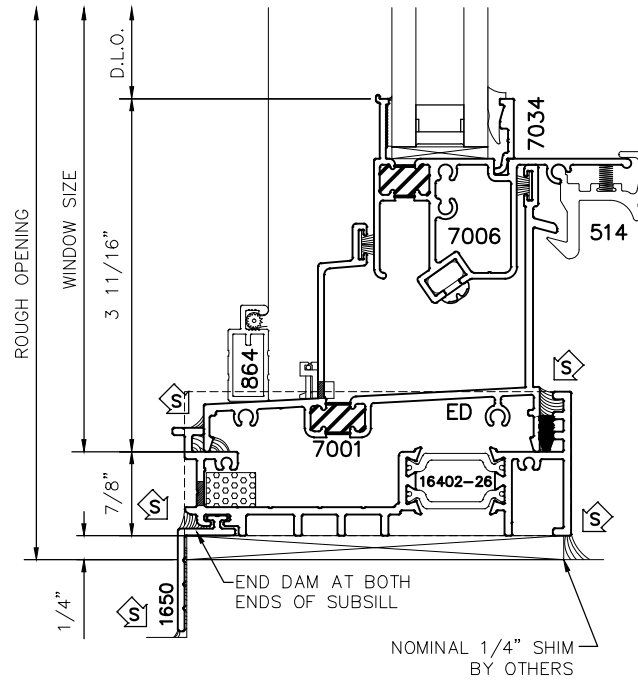
3 1/2" SERIES HUNG & FIXED
WINDOW SYSTEM
SILL STARTER



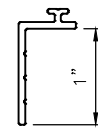


7035

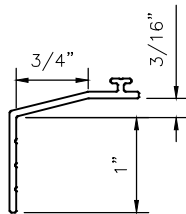
3 1/2" SERIES HUNG & FIXED
WINDOW SYSTEM
SILL STARTER WITH EXTENSION



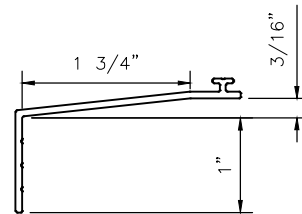
87050



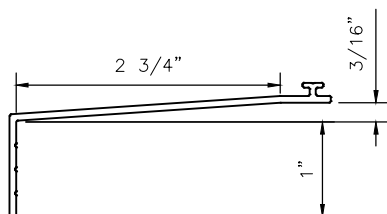
1650



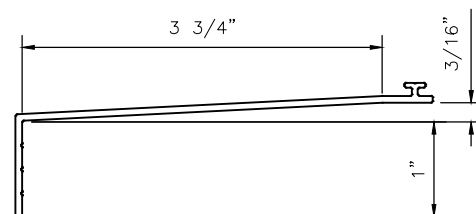
1651



1652



1653

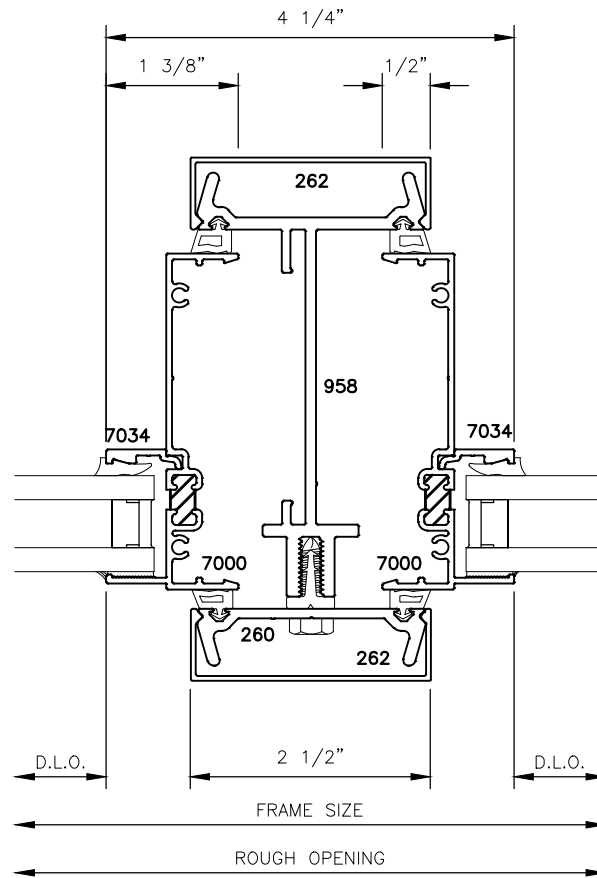


1654



7035

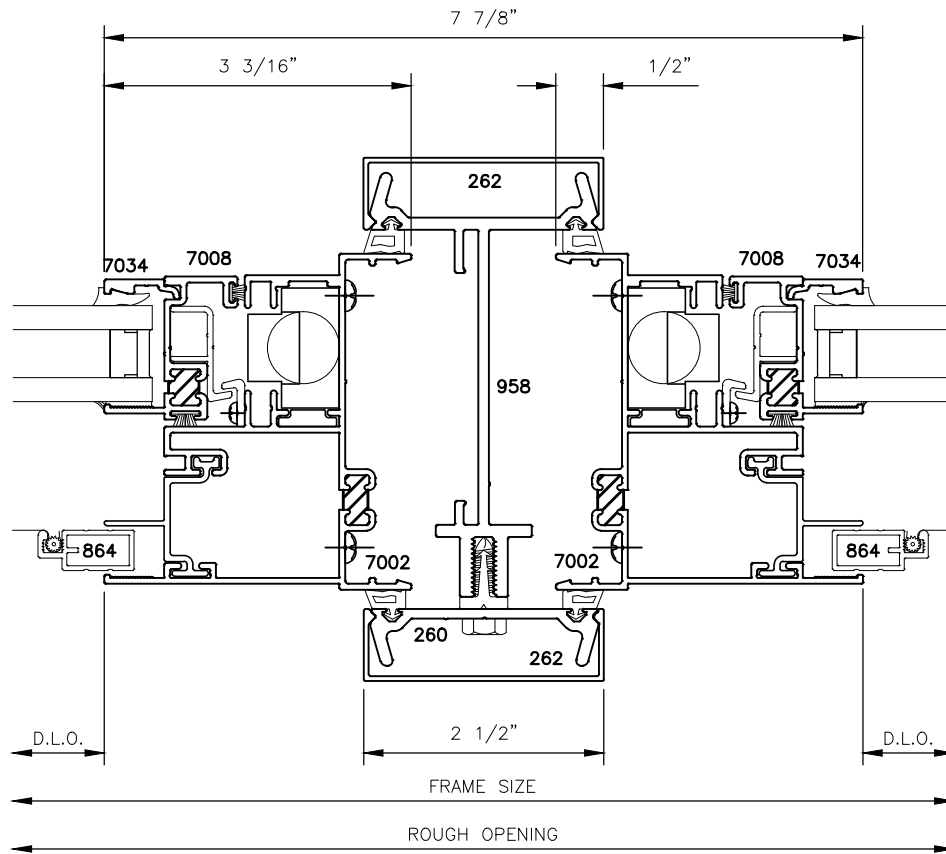
3 1/2" SERIES HUNG & FIXED
WINDOW SYSTEM
VERTICAL MULLIONS-958





7035

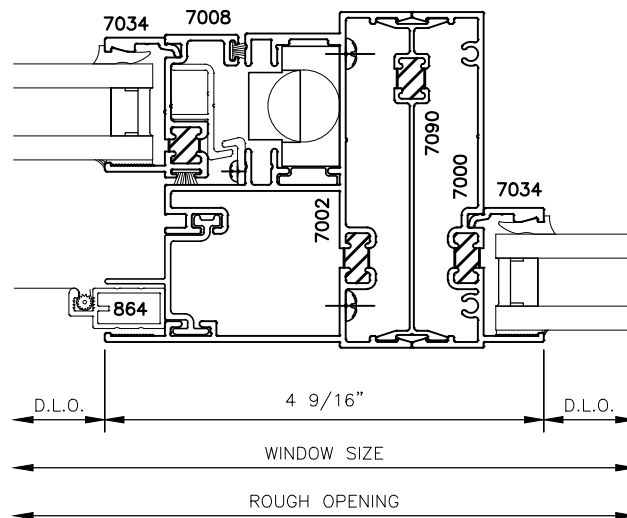
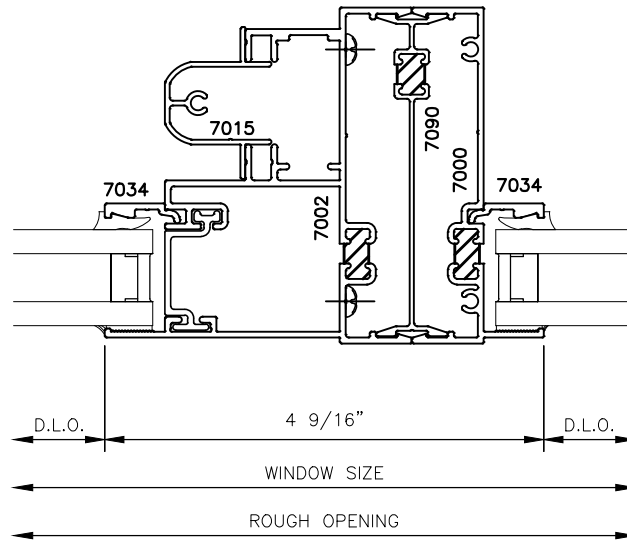
3 1/2" SERIES HUNG & FIXED
WINDOW SYSTEM
VERTICAL MULLIONS-958





7035

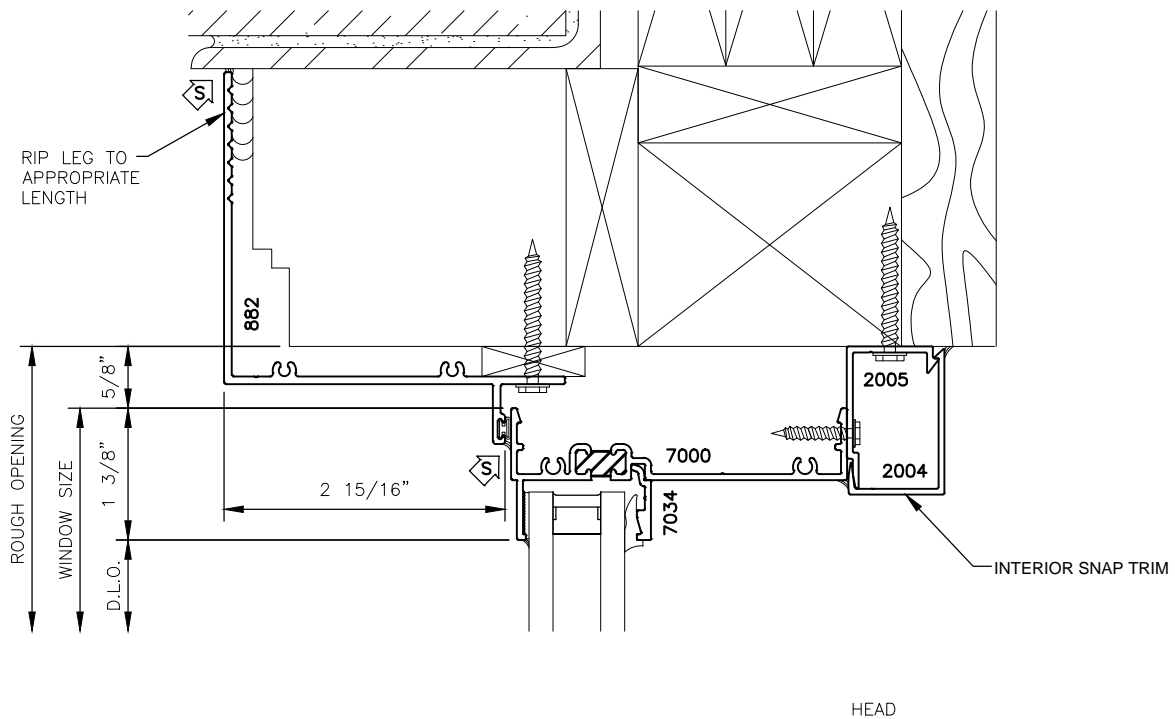
3 1/2" SERIES HUNG & FIXED
WINDOW SYSTEM
VERTICAL MULLIONS-7090





7035

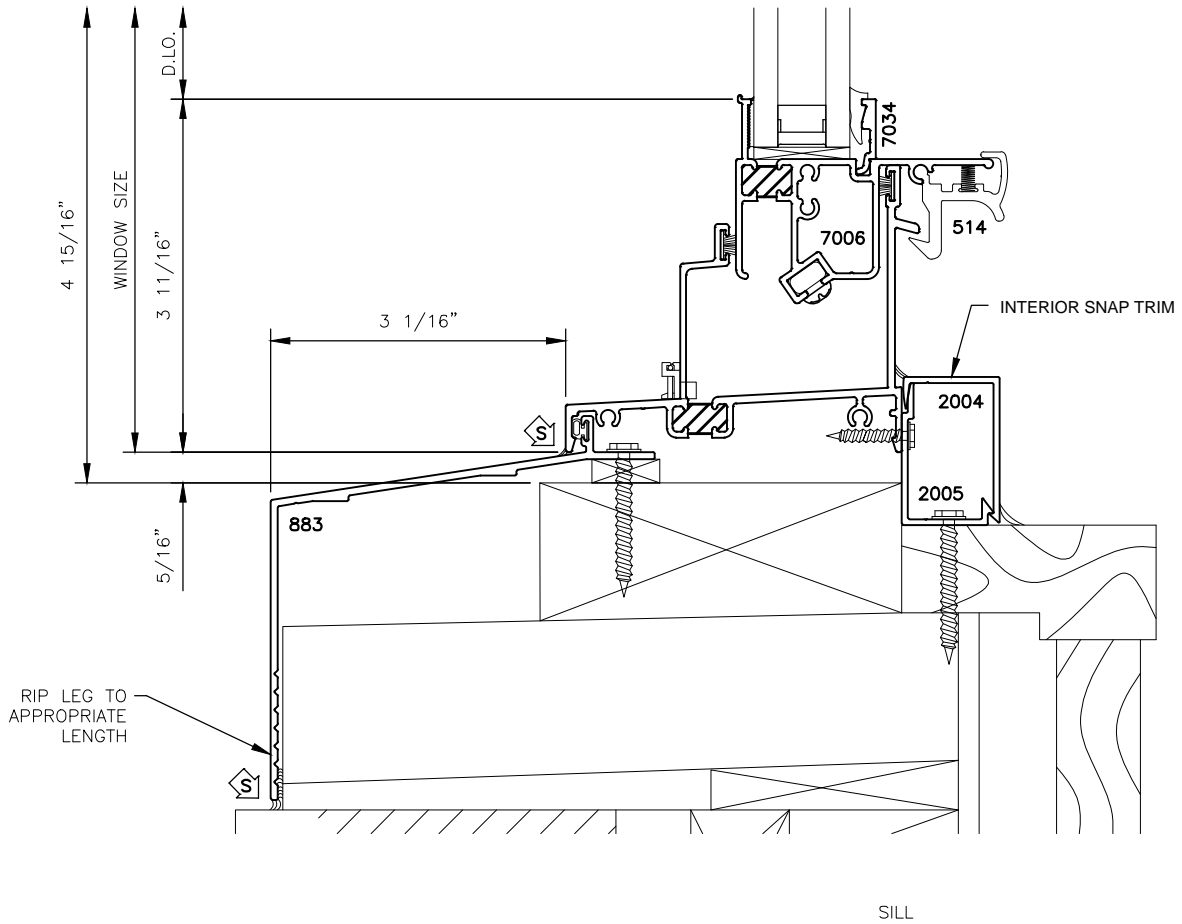
3 1/2" SERIES HUNG & FIXED
WINDOW SYSTEM
PANNING - TRIM





7035

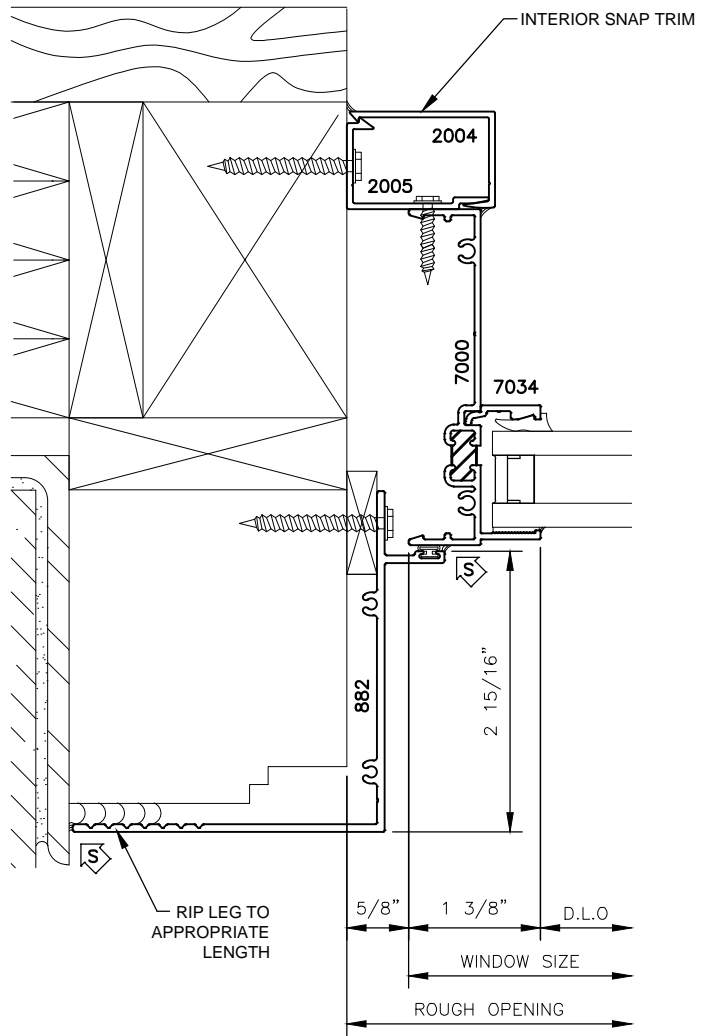
3 1/2" SERIES HUNG & FIXED
WINDOW SYSTEM
PANNING - TRIM





7035

3 1/2" SERIES HUNG & FIXED WINDOW SYSTEM
PANNING - TRIM

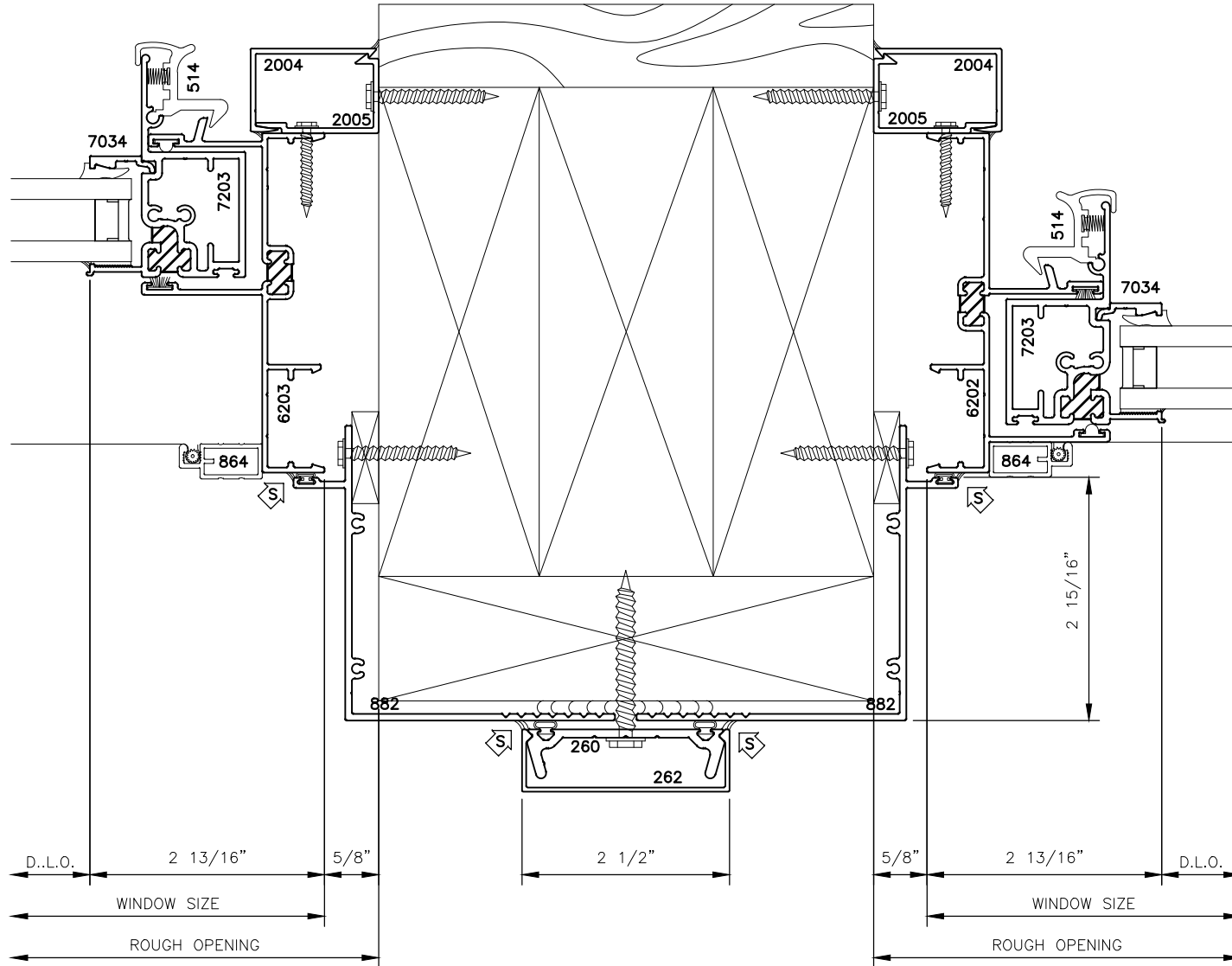


LEFT JAMB



7035

3 1/2" SERIES HUNG & FIXED WINDOW SYSTEM
PANNING & TRIM DETAILS



RIGHT & LEFT JAMB
W/ TRIM