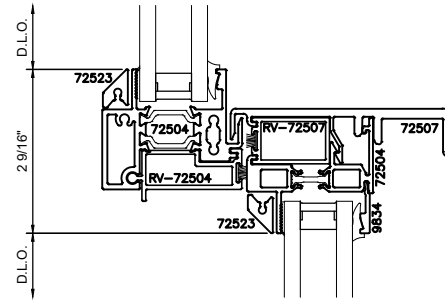
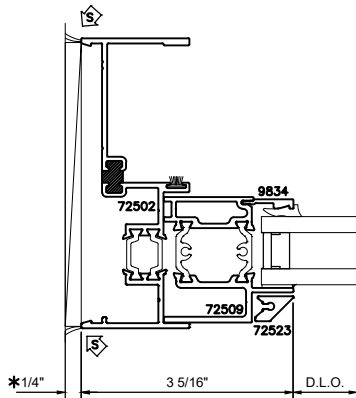


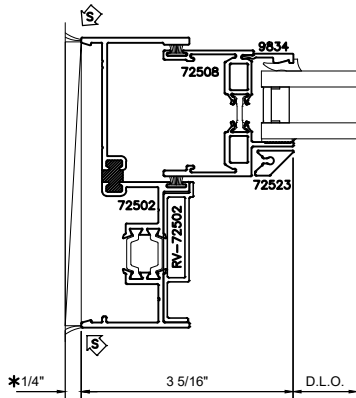
3



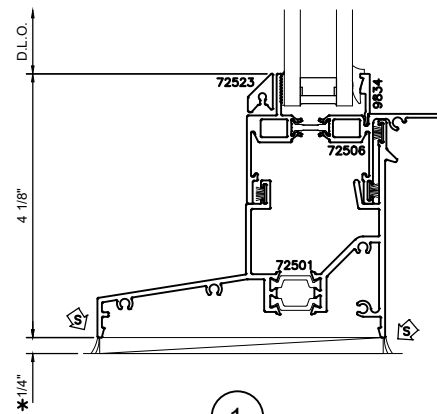
2



5



4



1

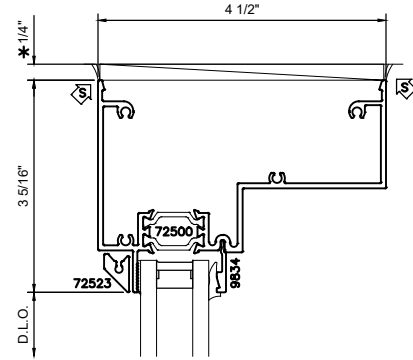
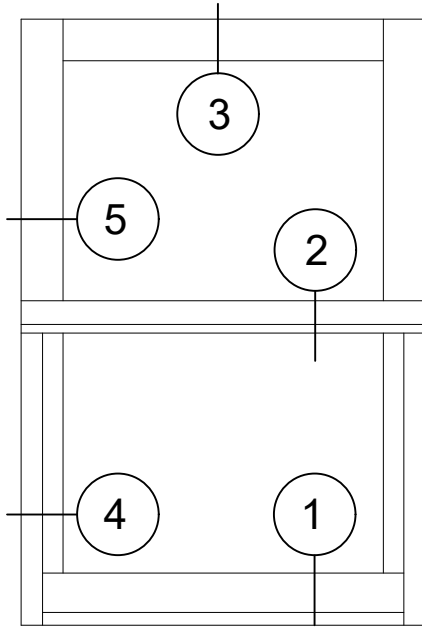
* MINIMUM RECOMMENDED FOR THERMAL ISOLATION.
INCREASE AS REQUIRED TO COMPLY WITH SEALANT
MANUFACTURERS' INSTRUCTIONS



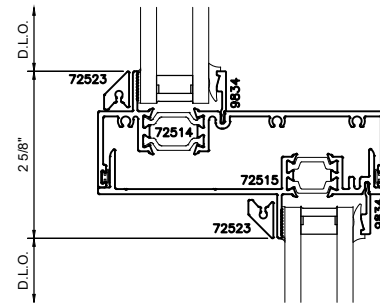
MANKO

725i

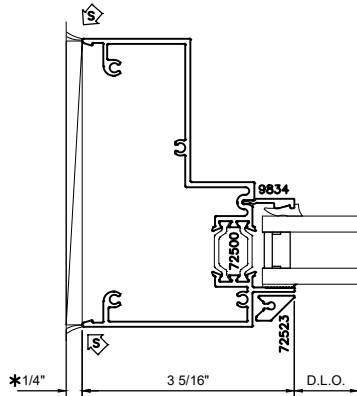
4 1/2" SERIES HISTORICAL OFFSET FIXED WINDOW SYSTEM STANDARD DETAILS



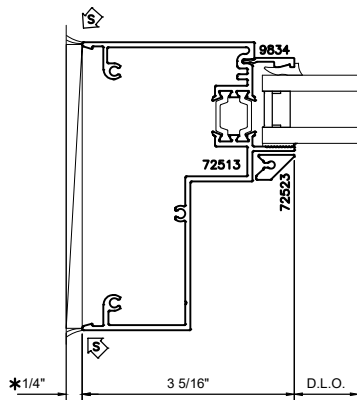
3



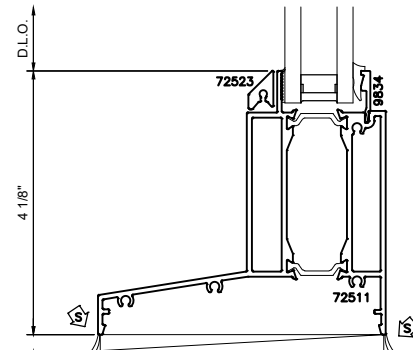
2



5



4



1

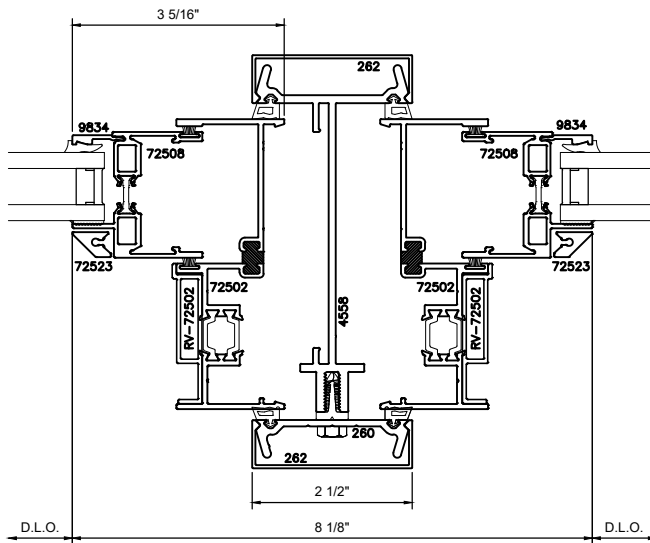
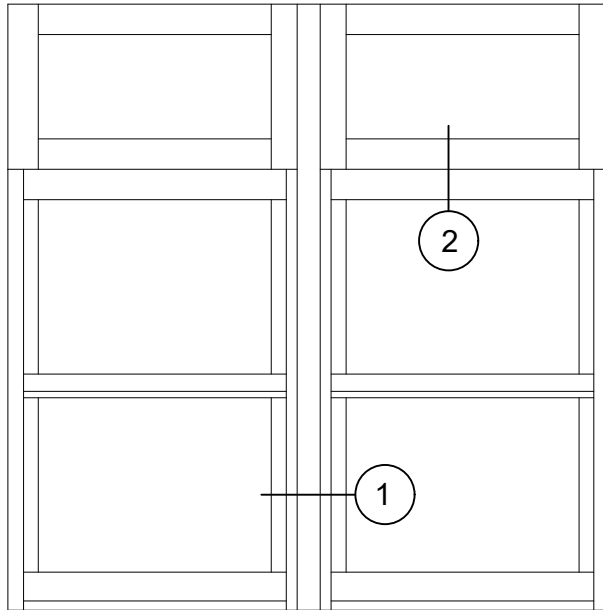
* MINIMUM RECOMMENDED FOR THERMAL ISOLATION.
INCREASE AS REQUIRED TO COMPLY WITH SEALANT
MANUFACTURERS' INSTRUCTIONS



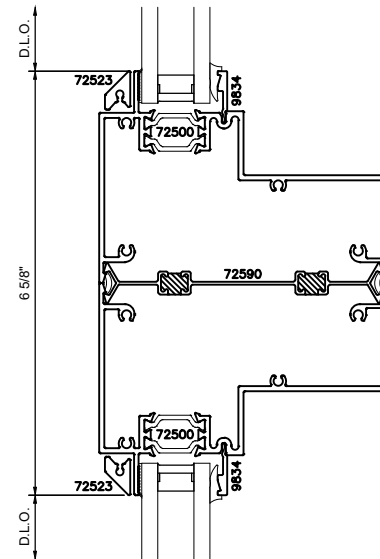
MANKO

725i

4 1/2" SERIES HISTORICAL WINDOW SYSTEM MULLIONS STANDARD DETAILS



1



2

* MINIMUM RECOMMENDED FOR THERMAL ISOLATION.
INCREASE AS REQUIRED TO COMPLY WITH SEALANT
MANUFACTURERS' INSTRUCTIONS