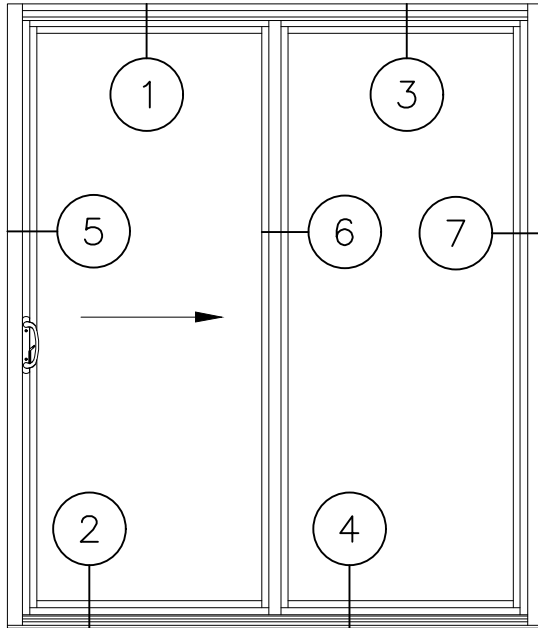


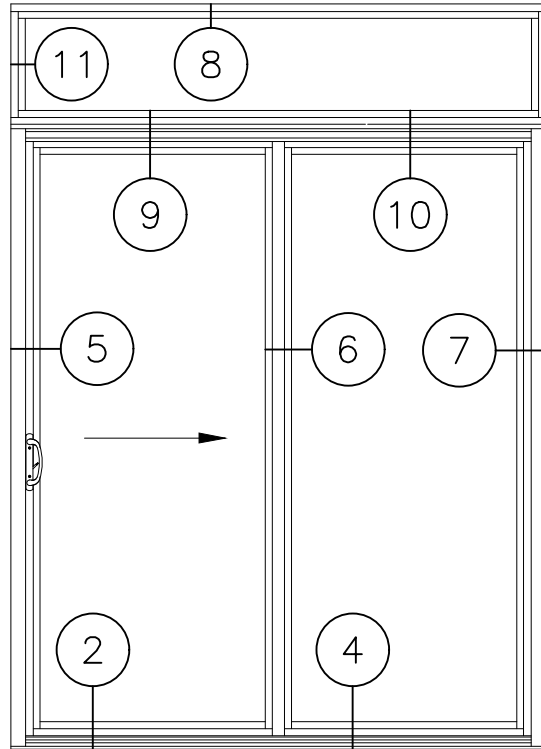


2100

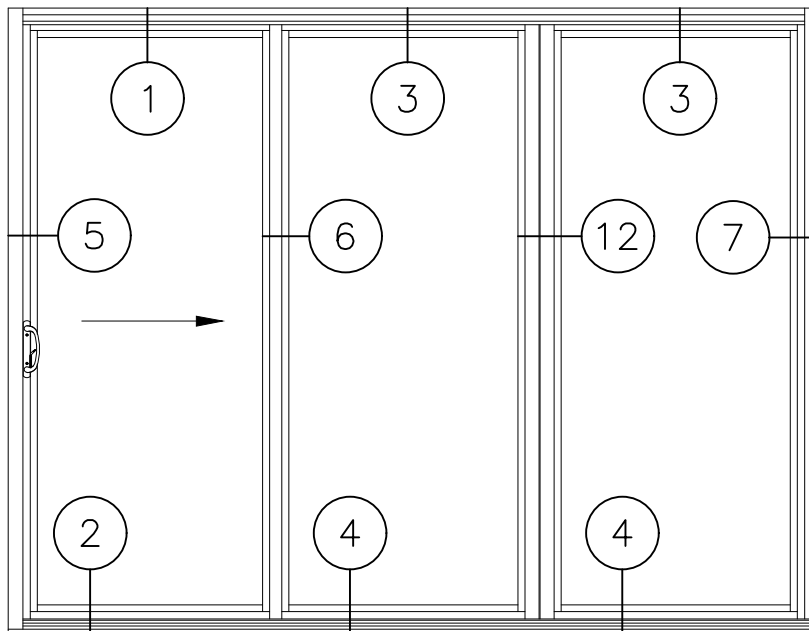
5 1/4"
ALUMINUM SLIDING PATIO DOOR
STANDARD DETAILS



X-0
STANDARD CONFIGURATION



X-0 WITH TRANSOM
STANDARD CONFIGURATION

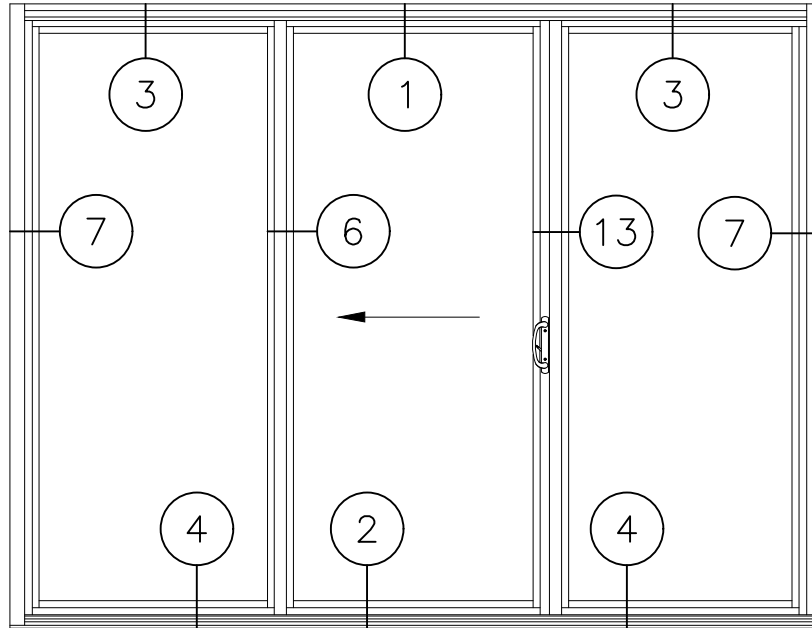


X-0-0
STANDARD CONFIGURATION

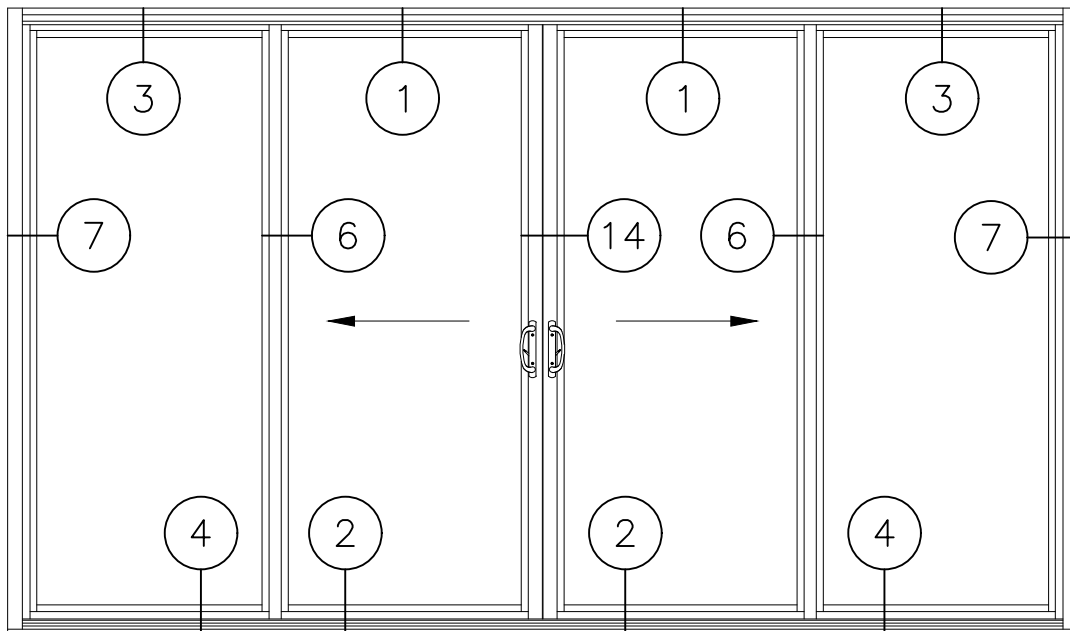


2100

5 1/4"
ALUMINUM SLIDING PATIO DOOR
STANDARD DETAILS



0-X-0
STANDARD CONFIGURATION



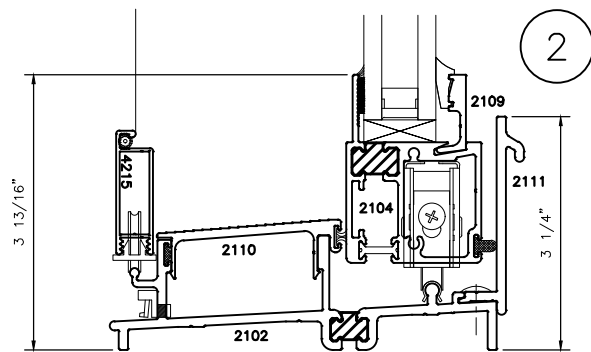
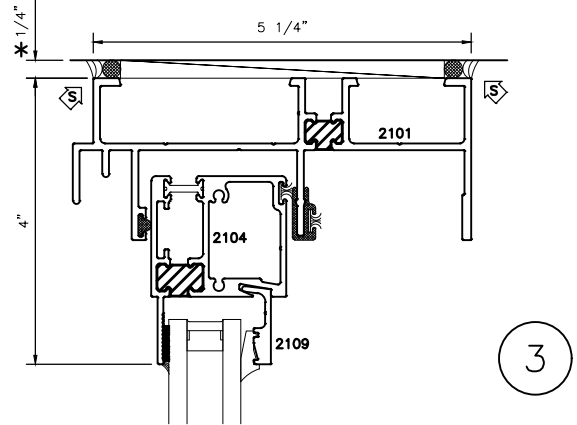
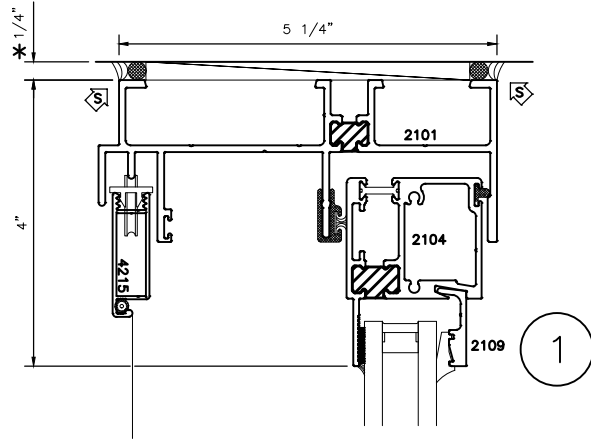
0-X-X-0
STANDARD CONFIGURATION



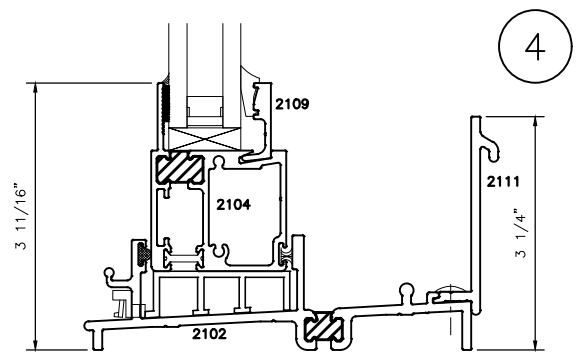
2100

5 1/4"
ALUMINUM SLIDING PATIO DOOR
STANDARD DETAILS

* MINIMUM RECOMMENDED FOR THERMAL ISOLATION.
INCREASE AS REQUIRED TO COMPLY WITH SEALANT
MANUFACTURERS' INSTRUCTIONS



AW60 12 LBS



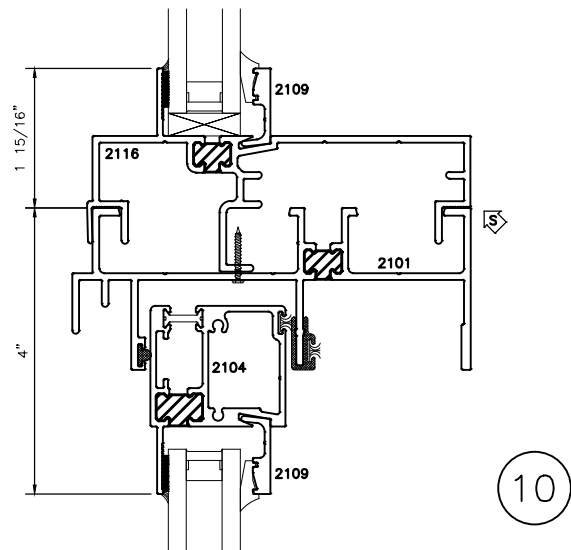
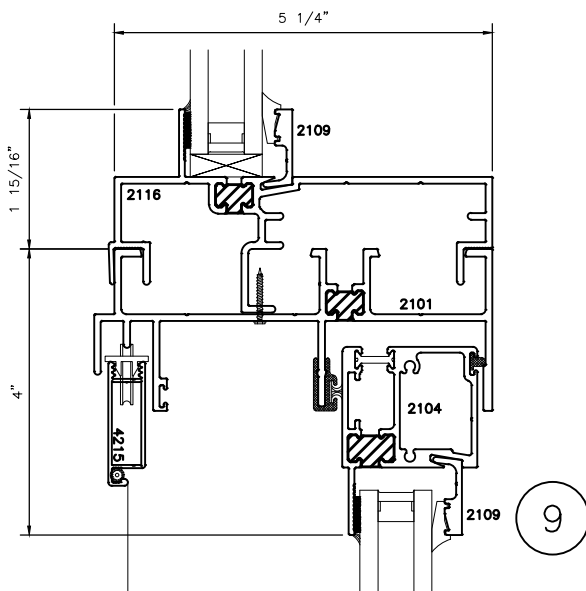
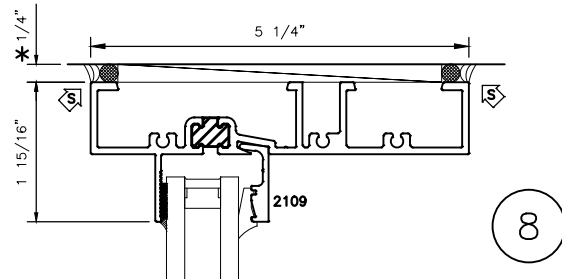
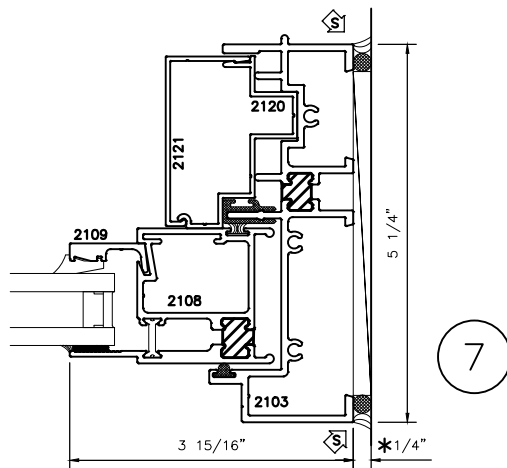
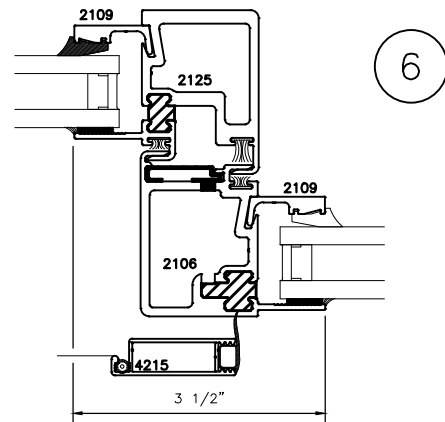
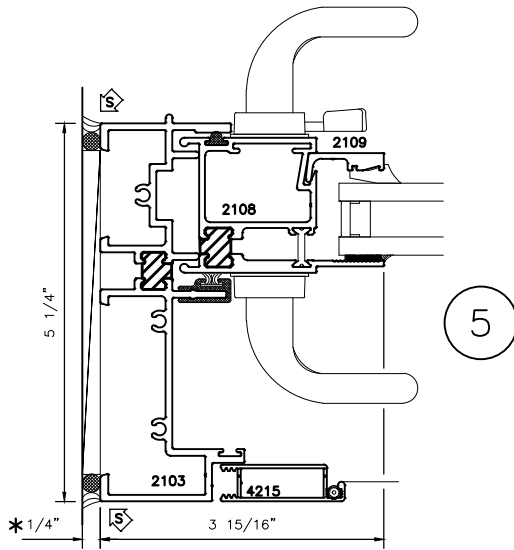
AW60 12 LBS



2100

5 1/4"
ALUMINUM SLIDING PATIO DOOR
STANDARD DETAILS

* MINIMUM RECOMMENDED FOR THERMAL ISOLATION.
INCREASE AS REQUIRED TO COMPLY WITH SEALANT
MANUFACTURERS' INSTRUCTIONS





2100

5 1/4"
ALUMINUM SLIDING PATIO DOOR
STANDARD DETAILS

* MINIMUM RECOMMENDED FOR THERMAL ISOLATION.
INCREASE AS REQUIRED TO COMPLY WITH SEALANT
MANUFACTURERS' INSTRUCTIONS

