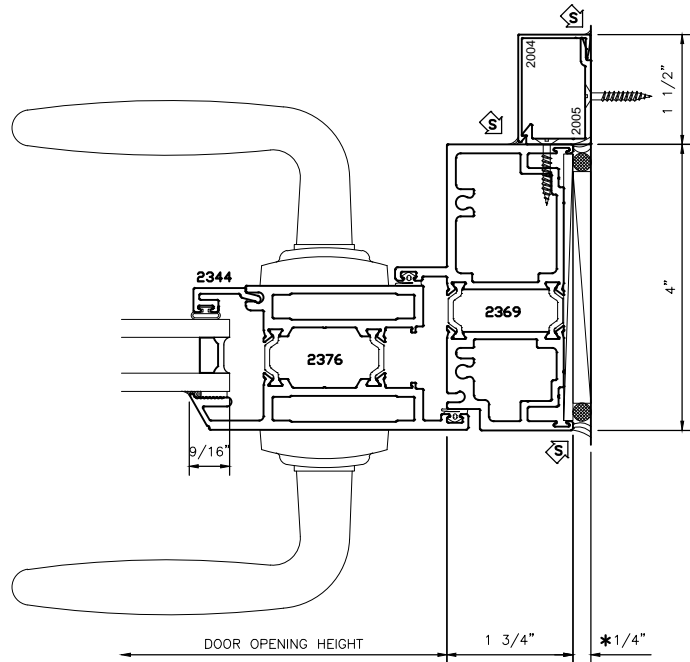
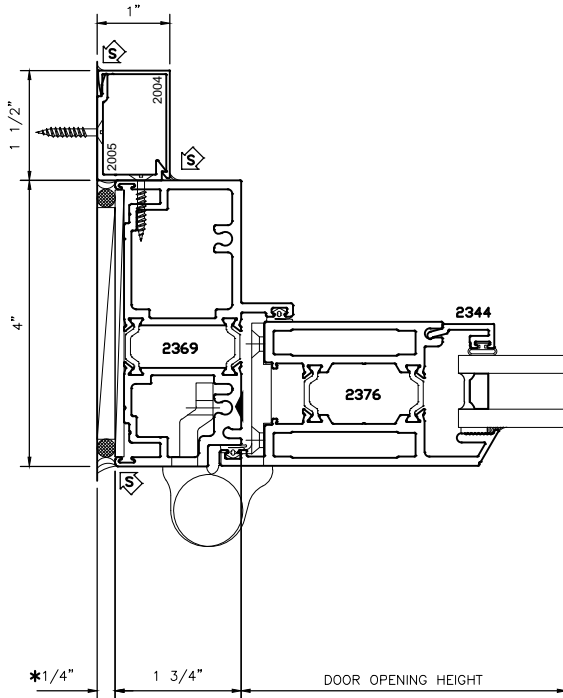
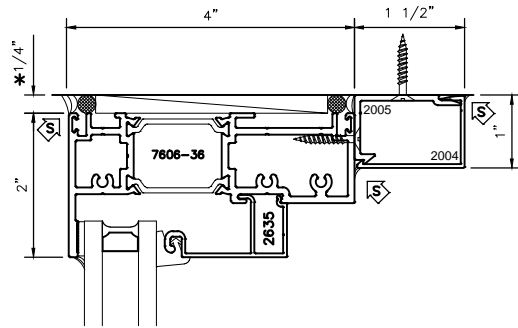
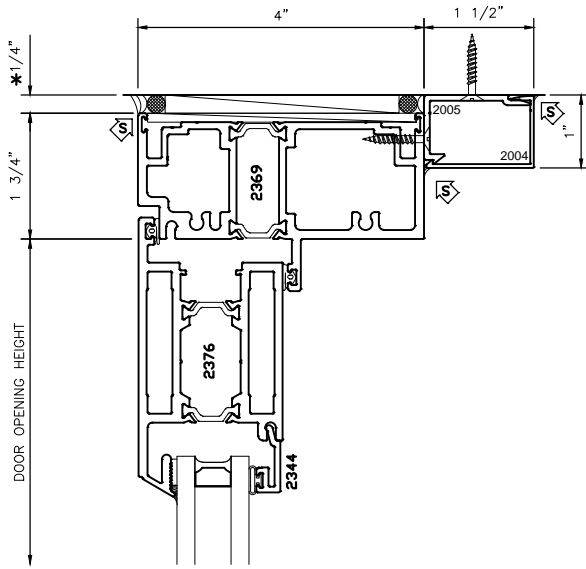




2300i

4" THERMAL TERRACE DOORS
 OPTIONAL SNAP TRIM
 ANCHORING DETAILS

* MINIMUM RECOMMENDED FOR THERMAL ISOLATION.
 INCREASE AS REQUIRED TO COMPLY WITH SEALANT
 MANUFACTURERS' INSTRUCTIONS



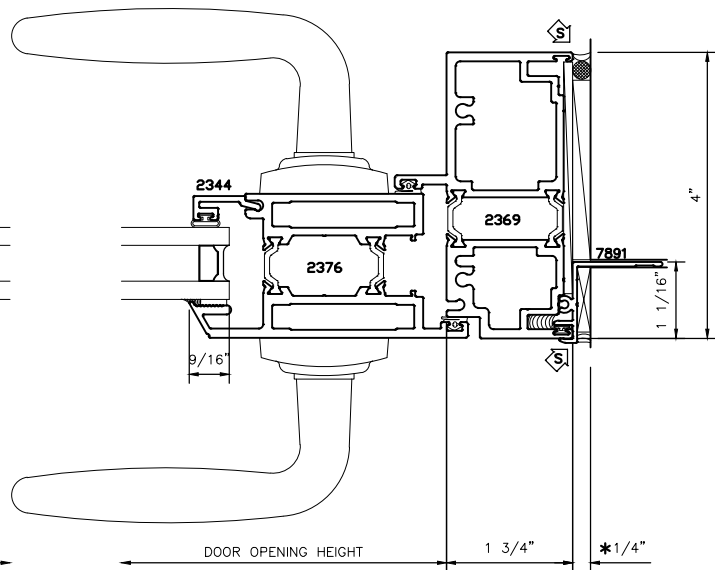
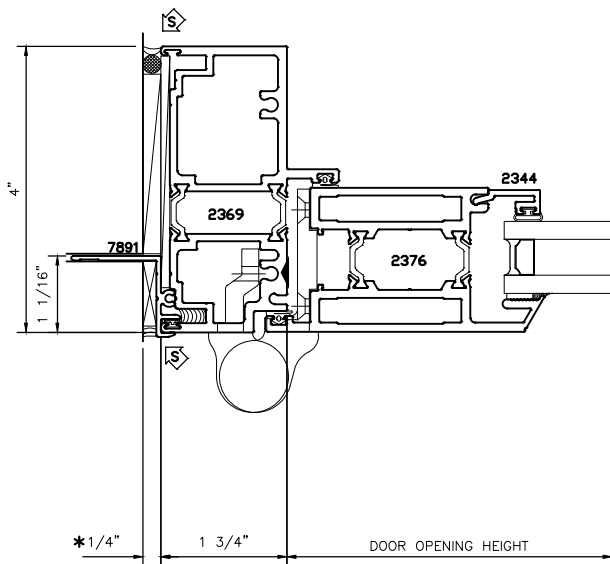
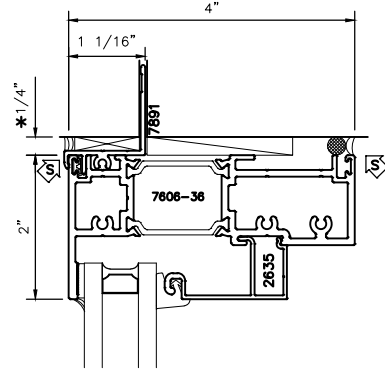
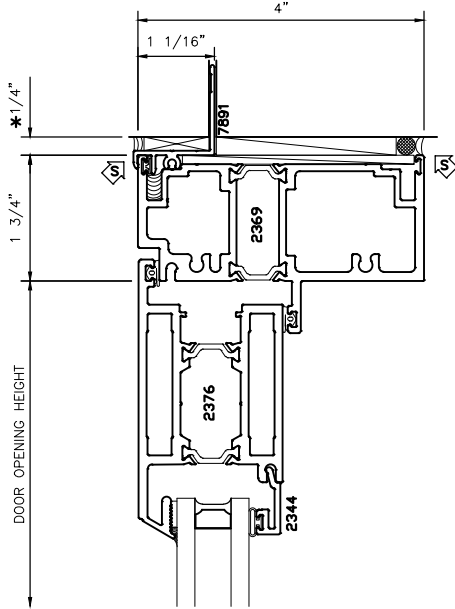
ANCHORING SHOWN WITH 4" OUTSWING DETAILS.



2300i

4" THERMAL TERRACE DOORS
 OPTIONAL 1 1/16" NAILFIN
 ANCHORING DETAILS

* MINIMUM RECOMMENDED FOR THERMAL ISOLATION.
 INCREASE AS REQUIRED TO COMPLY WITH SEALANT
 MANUFACTURERS' INSTRUCTIONS



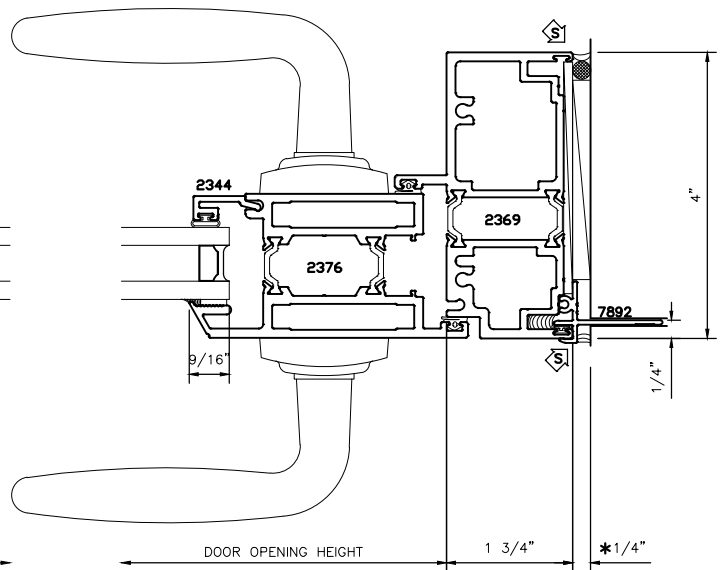
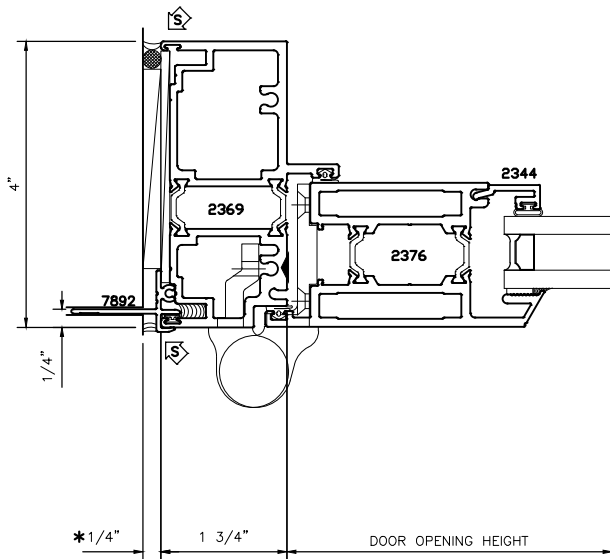
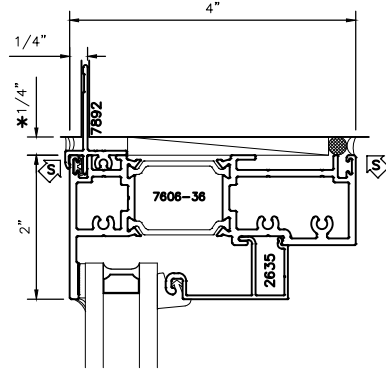
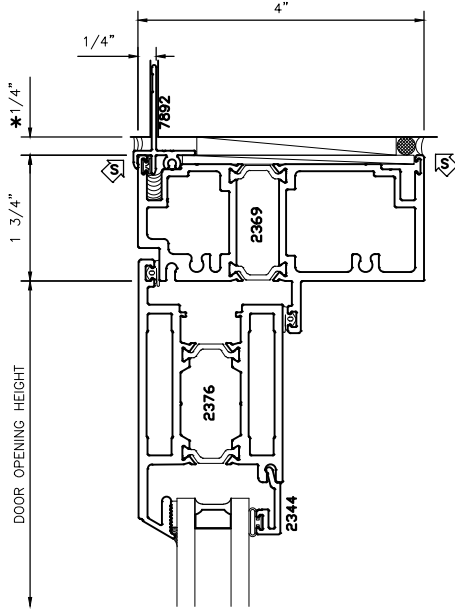
ANCHORING SHOWN WITH 4" OUTSWING DETAILS.



2300i

4" THERMAL TERRACE DOORS
 OPTIONAL 1/4" NAILFIN
 ANCHORING DETAILS

* MINIMUM RECOMMENDED FOR THERMAL ISOLATION.
 INCREASE AS REQUIRED TO COMPLY WITH SEALANT
 MANUFACTURERS' INSTRUCTIONS



ANCHORING SHOWN WITH 4" OUTSWING DETAILS.