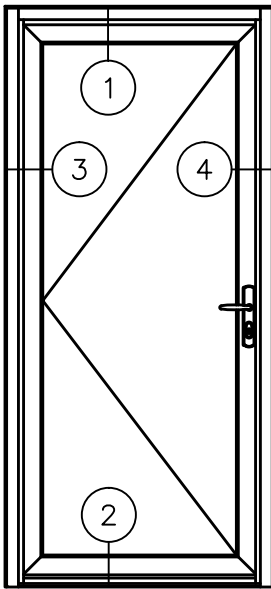


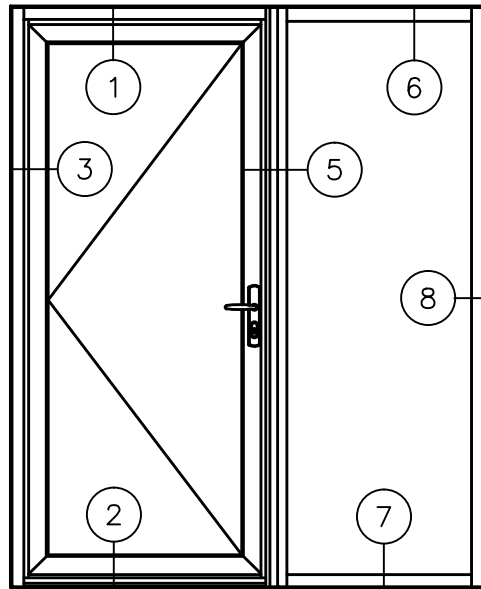


2300i

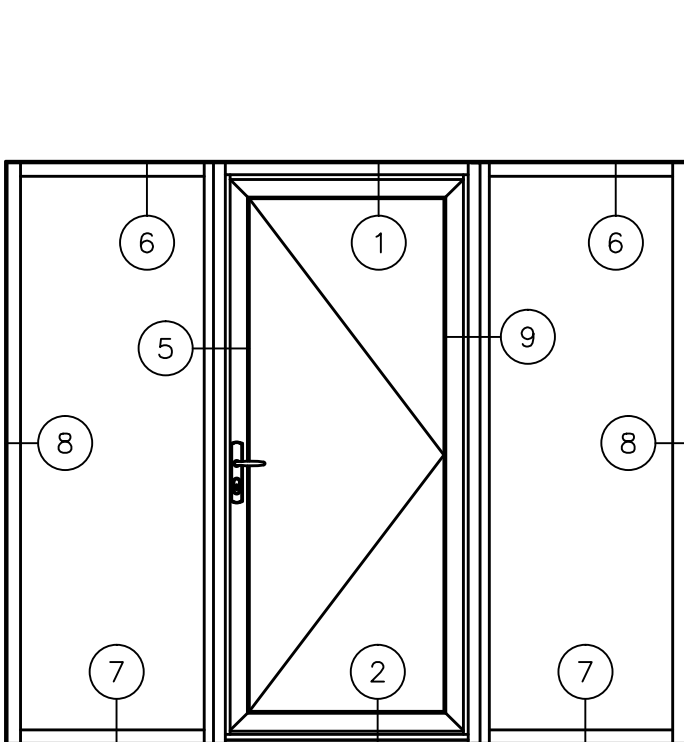
4" THERMAL TERRACE DOOR  
 INSWING DOORS  
 TRIPLE PANE DETAILS



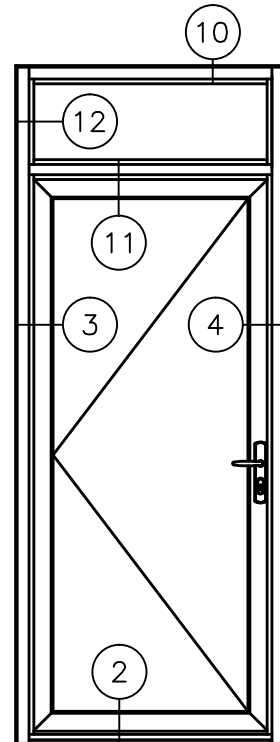
SINGLE DOOR  
 WITHOUT TRANSOM  
 STANDARD CONFIGURATION



SINGLE DOOR  
 WITHOUT 3527i SIDELITE  
 STANDARD CONFIGURATION



SINGLE DOOR  
 WITH 3527i SIDELITES  
 STANDARD CONFIGURATION



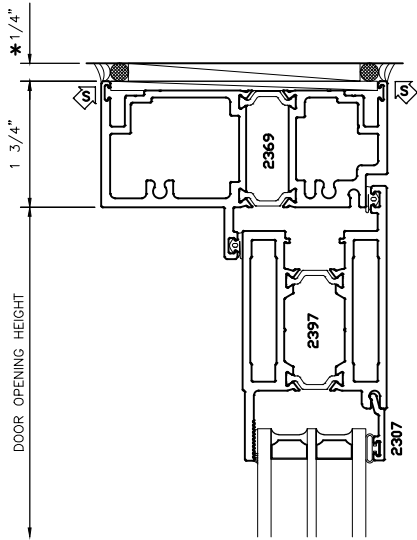
SINGLE DOOR  
 WITH TRANSOM  
 STANDARD CONFIGURATION



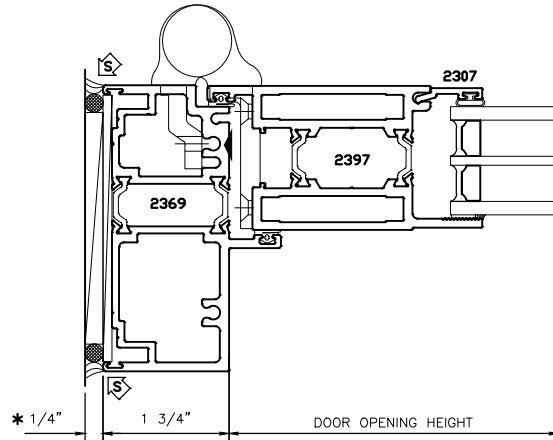
2300i

4" THERMAL TERRACE DOOR  
 INSWING DOORS  
 TRIPLE PANE DETAILS

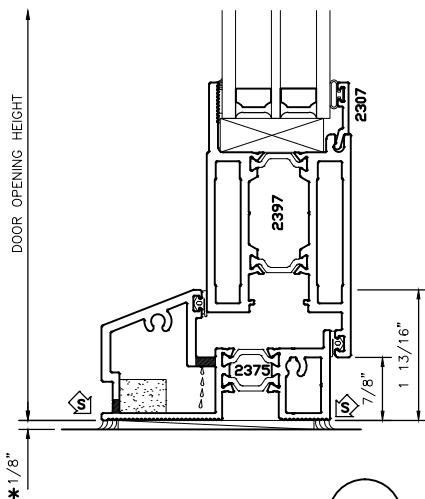
\* MINIMUM RECOMMENDED FOR THERMAL ISOLATION.  
 INCREASE AS REQUIRED TO COMPLY WITH SEALANT  
 MANUFACTURERS' INSTRUCTIONS



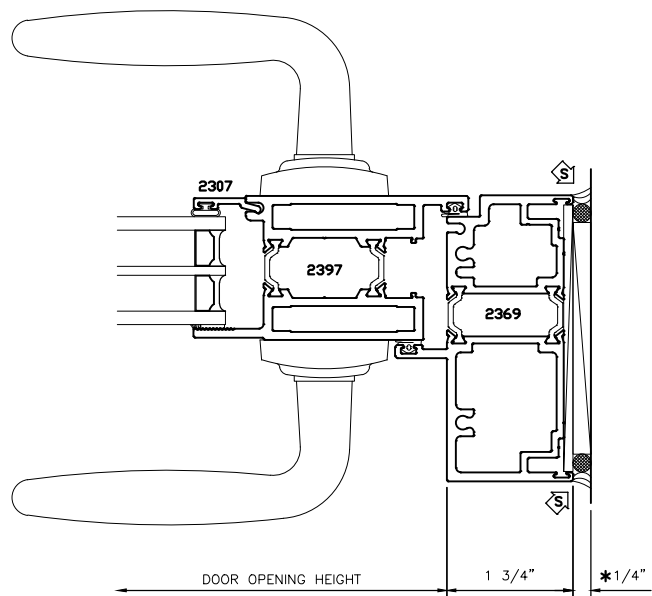
1



3



2



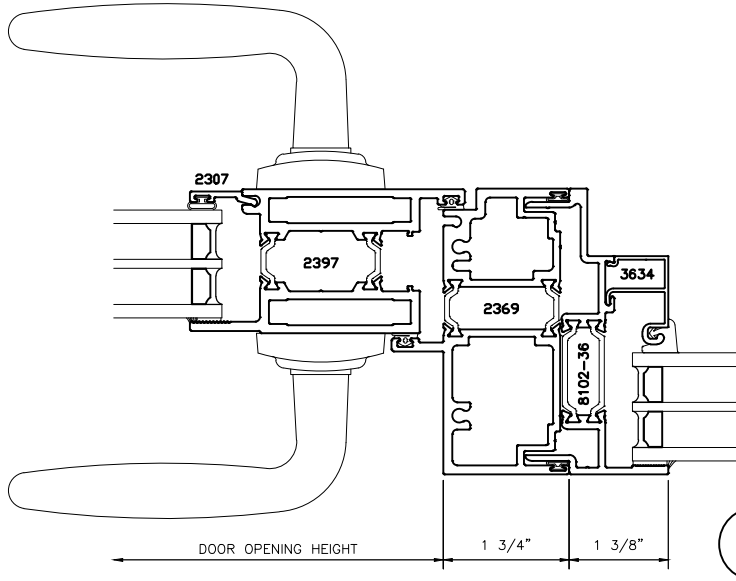
4



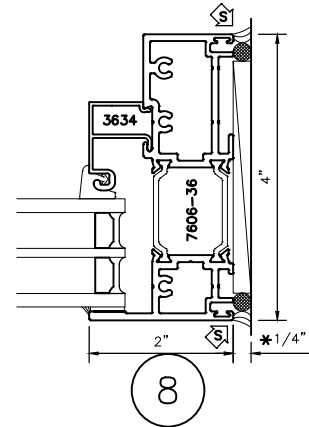
2300i

4" THERMAL TERRACE DOOR  
INSWING DOORS  
TRIPLE PANE DETAILS

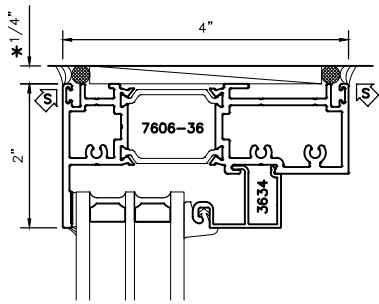
\* MINIMUM RECOMMENDED FOR THERMAL ISOLATION.  
INCREASE AS REQUIRED TO COMPLY WITH SEALANT  
MANUFACTURERS' INSTRUCTIONS



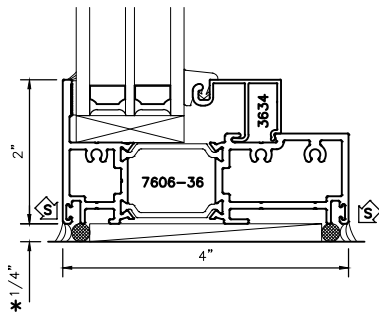
5



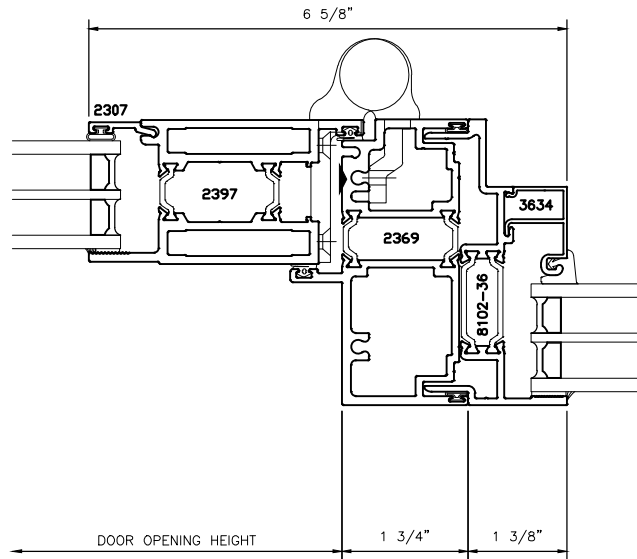
8



6



7



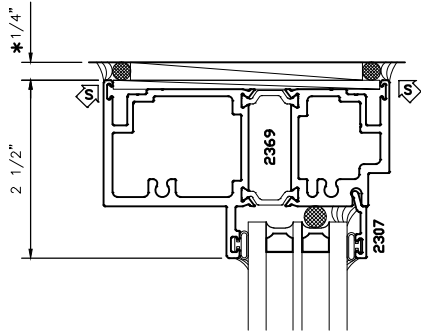
9



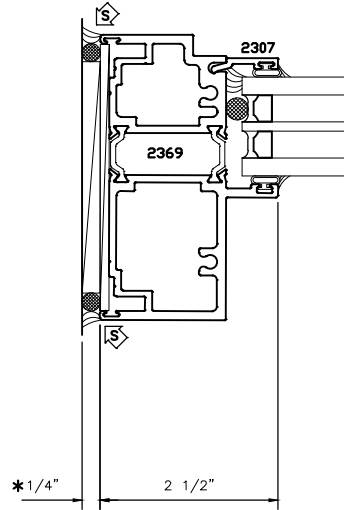
2300i

# 4" THERMAL TERRACE DOOR IN SWING DOORS TRIPLE PANE DETAILS

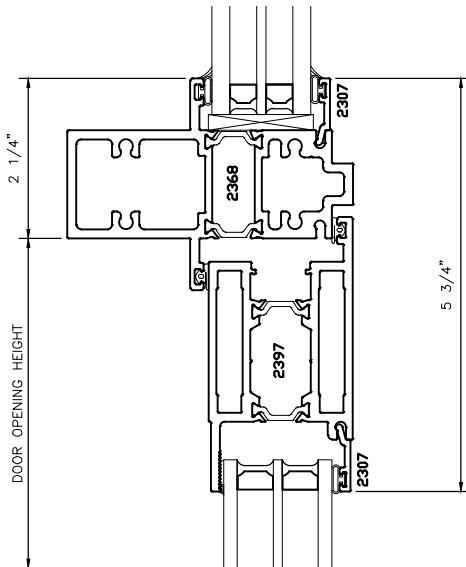
\* MINIMUM RECOMMENDED FOR THERMAL ISOLATION.  
INCREASE AS REQUIRED TO COMPLY WITH SEALANT  
MANUFACTURERS' INSTRUCTIONS



10



12



11