

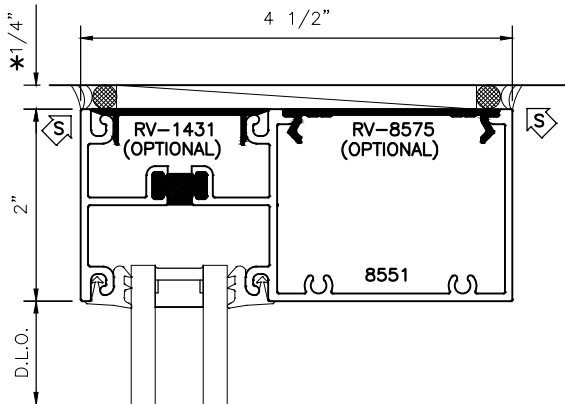
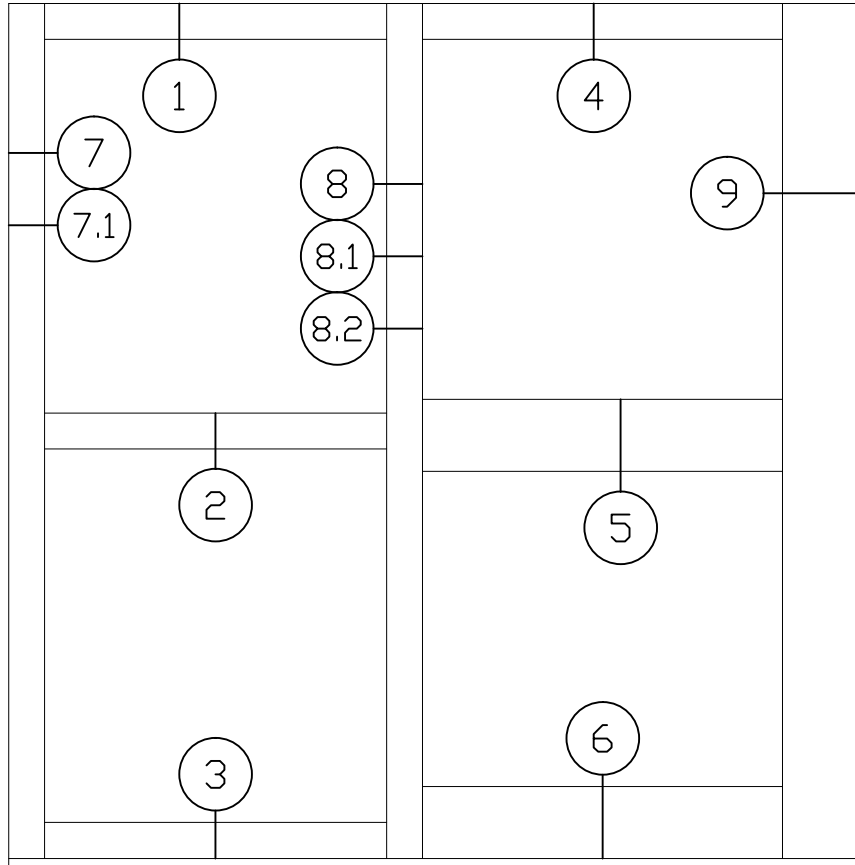


MANKO

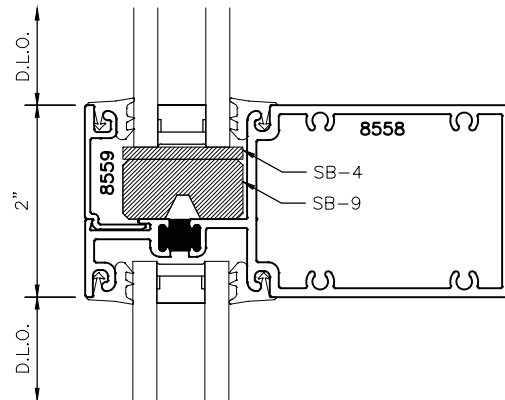
2450FS

4 1/2" FRONT GLAZED THERMAL STOREFRONT STANDARD/OPTIONAL DETAILS

* MINIMUM RECOMMENDED FOR THERMAL ISOLATION.
INCREASE AS REQUIRED TO COMPLY WITH SEALANT
MANUFACTURERS' INSTRUCTIONS



1



2

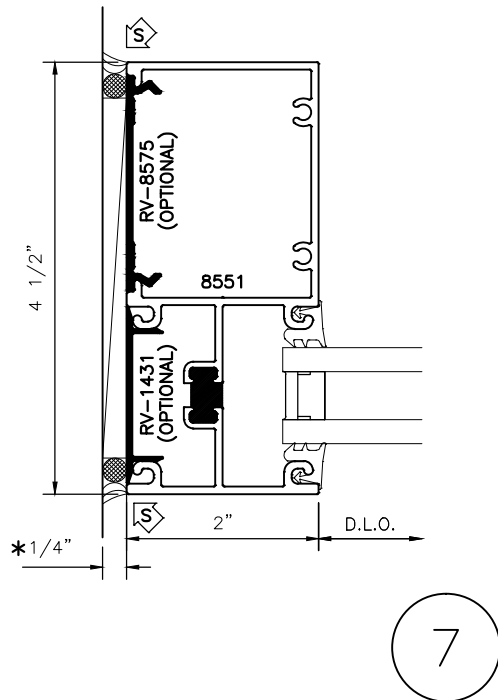
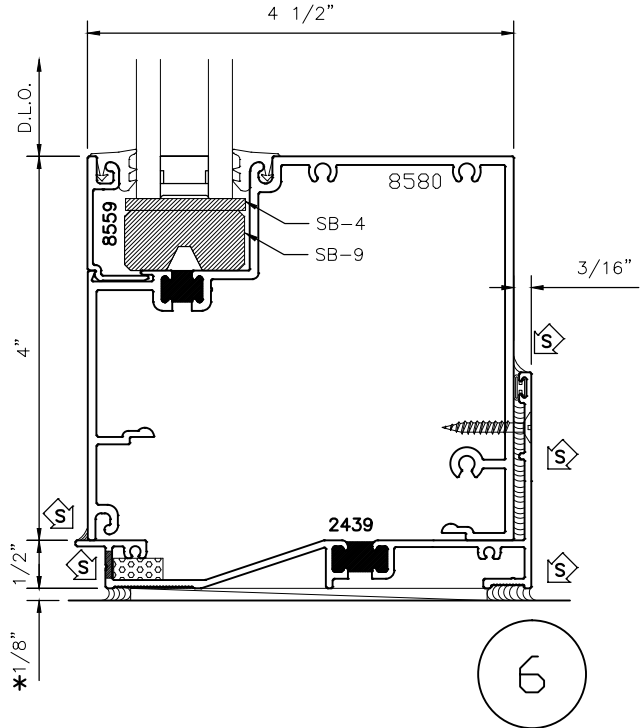
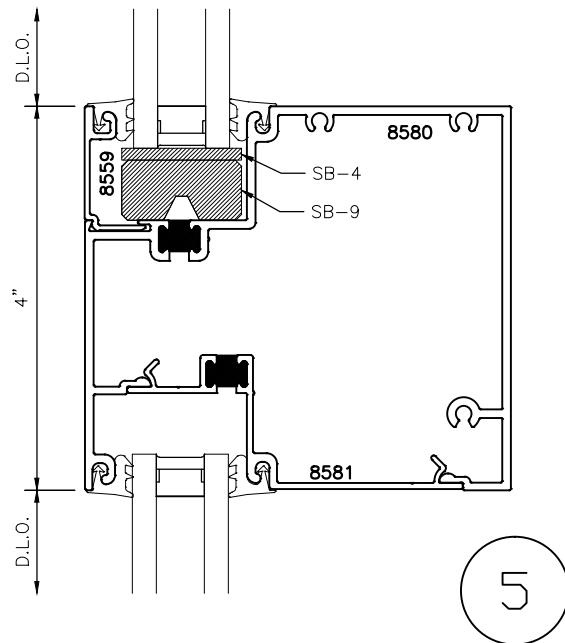
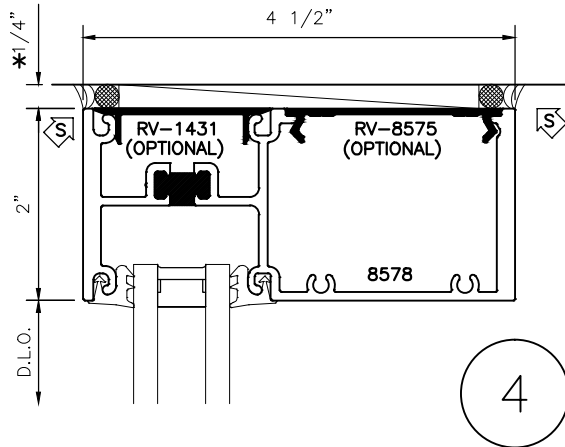
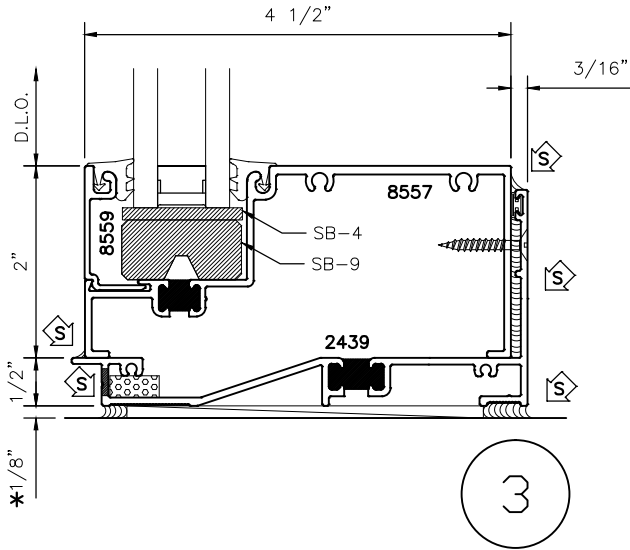


MANKO

2450FS

4 1/2" FRONT GLAZED THERMAL STOREFRONT STANDARD/OPTIONAL DETAILS

* MINIMUM RECOMMENDED FOR THERMAL ISOLATION.
INCREASE AS REQUIRED TO COMPLY WITH SEALANT
MANUFACTURERS' INSTRUCTIONS



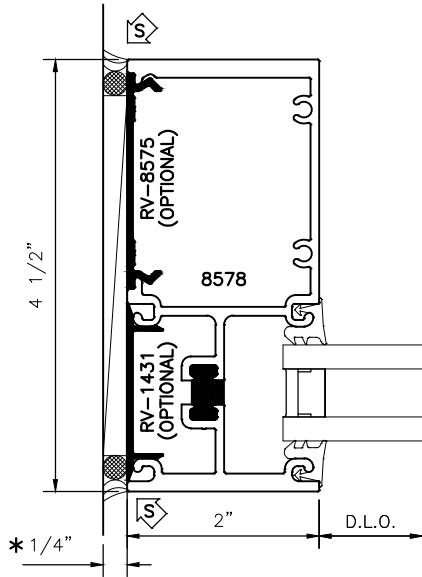


MANKO

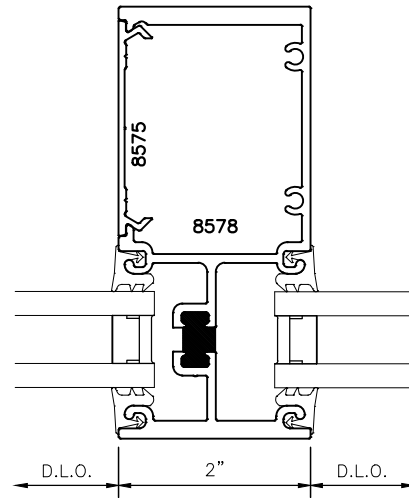
2450FS

4 1/2" FRONT GLAZED THERMAL STOREFRONT STANDARD/OPTIONAL DETAILS

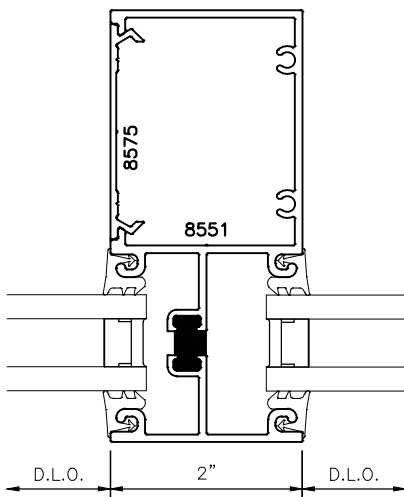
* MINIMUM RECOMMENDED FOR THERMAL ISOLATION.
INCREASE AS REQUIRED TO COMPLY WITH SEALANT
MANUFACTURERS' INSTRUCTIONS



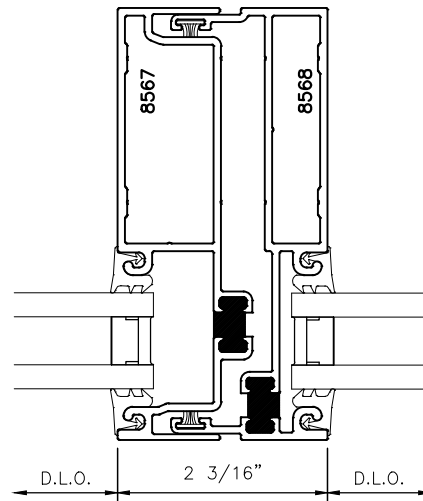
OPT.
7.1



OPT.
8.1



8



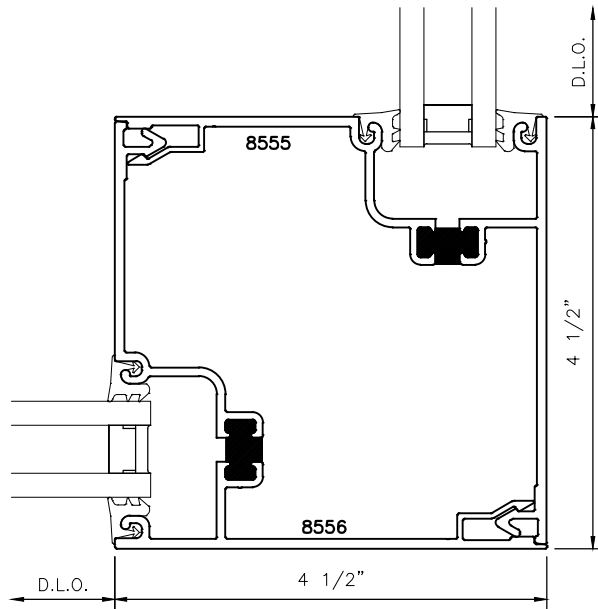
OPT.
8.2



MANKO

2450FS

**4 1/2" FRONT GLAZED
THERMAL STOREFRONT
STANDARD/OPTIONAL DETAILS**



9