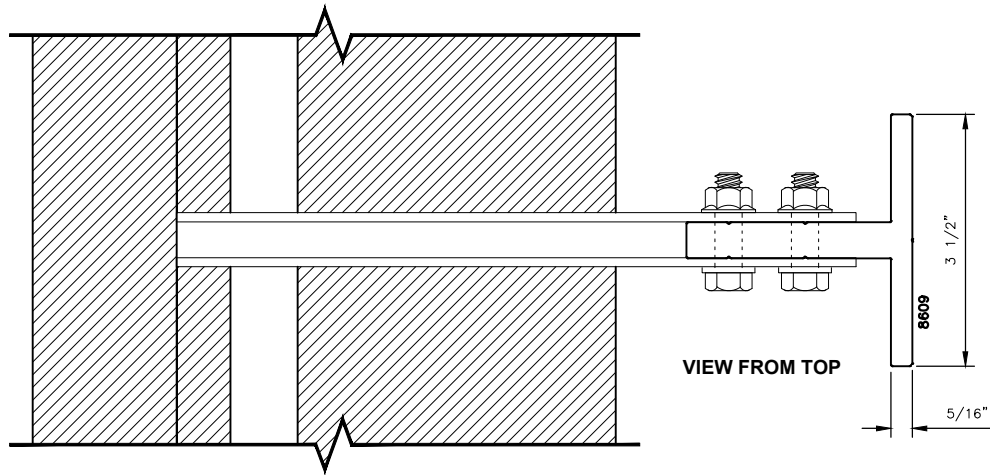




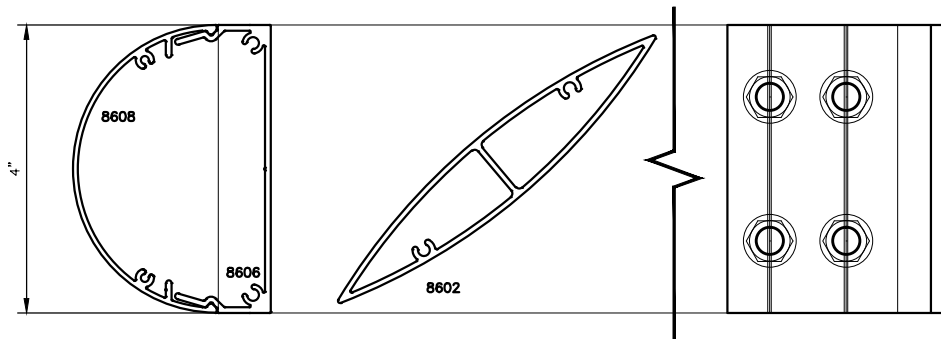
MANKO

SUNSHADE MOUNTING BRACKET OPTIONS

QUANTITY AND TYPE OF ANCHORS TO BE APPROPRIATE FOR RELEVANT LOADS AND SUBSTRATE AS DETERMINED BY LICENSED DESIGN PROFESSIONAL.



WALL BRACKET



WALL BRACKET