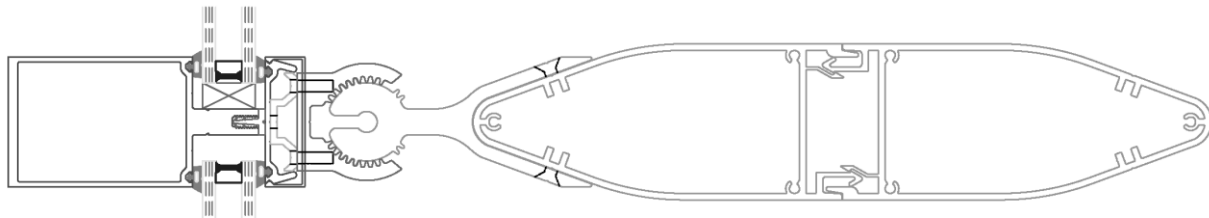




Manko VersaShade

Single Blade Integrated Sun Shade System for Horizontal and Vertical Applications

VersaShade Sun shades, the next evolution in sun shade systems. Introducing single blade solar shades that are integrated into the framing system. VersaShades can be oriented in the horizontal or vertical positions. This system has the ability to be integrated across Curtain wall, Storefront, and Window wall framing platforms to fit the need of your project. The design allows for different blade sizes and sizes to be utilized during installation to optimize the desired aesthetic and maximize shading based on building and blade orientation.



Performance

Numerous options and settings allow you to customize system for your project. This enables the ability to maximize energy savings potential while reducing solar heat gain, increasing daylighting potential, increasing occupancy comfort and increasing overall indoor environmental quality.

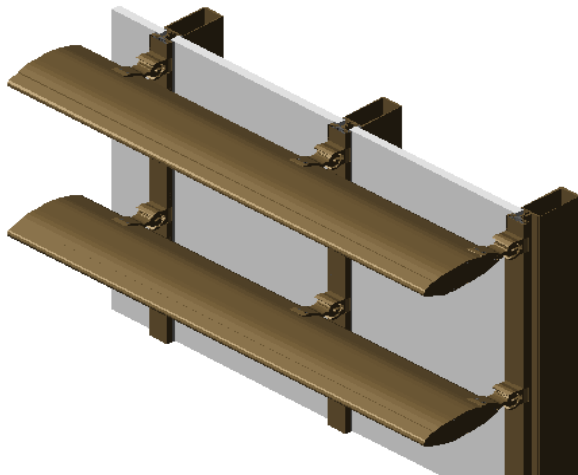
Finishes Available

Architectural Class I anodized finishes in Clear and Dark Bronze.

Custom Color anodized finishes also available.

AAMA 2605 compliant fluoropolymer finishes in 20 standard colors.

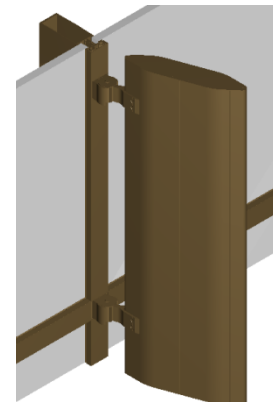
AAMA 2605 compliant fluoropolymer finishes in custom colors.



Fabrication and Installation

Versashades universal components, integral attachment, and ease of assembly allow for efficient fabrication and installation.

Versashades are great for tight budgets and construction schedules.



Aesthetics

Multiple blade sizes with different orientations and multiple angle settings allow for nearly endless possibilities to create the visual effects, sightlines and shading patterns that you desire.

Sustainability

Versashades can help earn Leadership in Energy and Environmental Design (LEED) credits via Materials and Content (Recycled Content), Energy and Atmosphere (Optimize Energy Performance) and Indoor Environmental Quality (Daylighting and Views).

800 Hayes Drive
Manhattan, KS 66502
Phone: (800) 642.1488
Fax: (800) 576.5656



MANKO
WINDOW SYSTEMS, INC.

17500 E. 22nd Ave.
Aurora, CO 80011
Phone: (888) 642.1488
Fax: (303) 375.0669