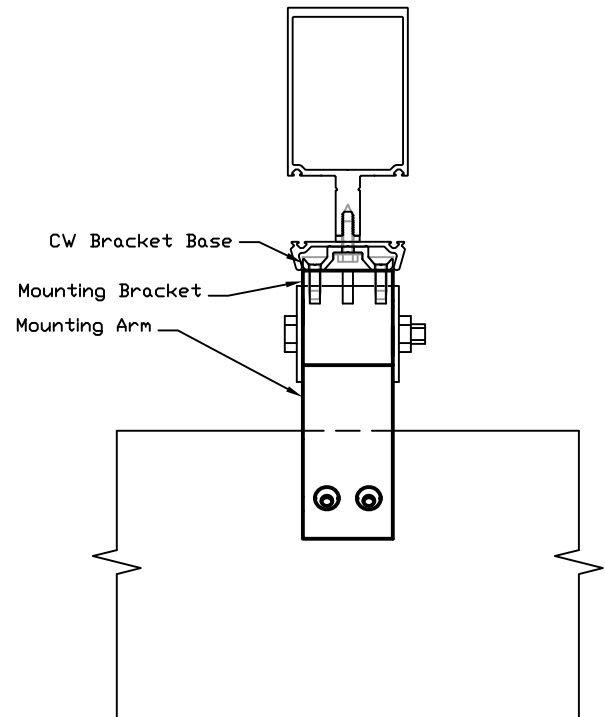
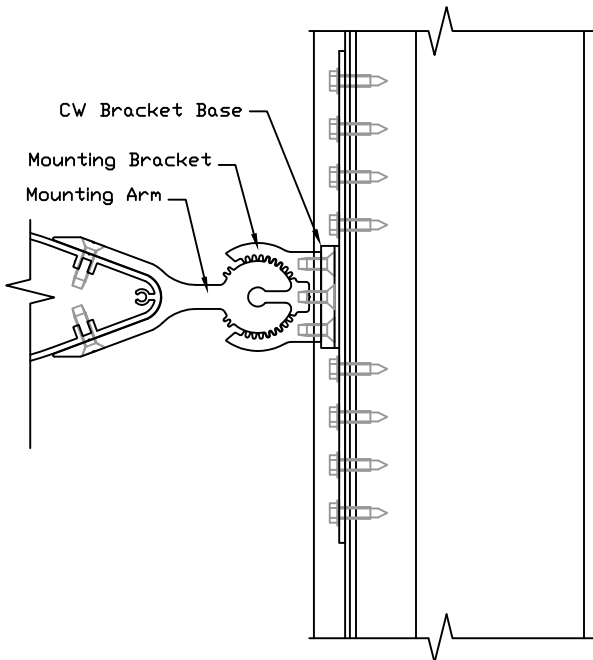
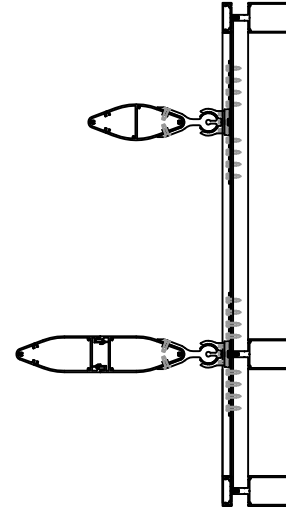
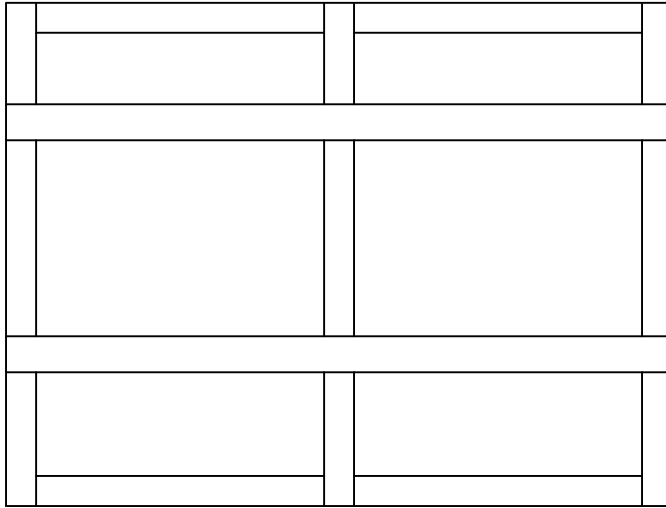


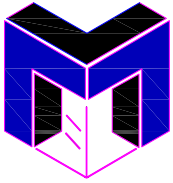
VERSASHADE - Single Blade Sunshades

Manko Window Systems Inc.

Standard Horizontal Blade Detail with Curtain Wall



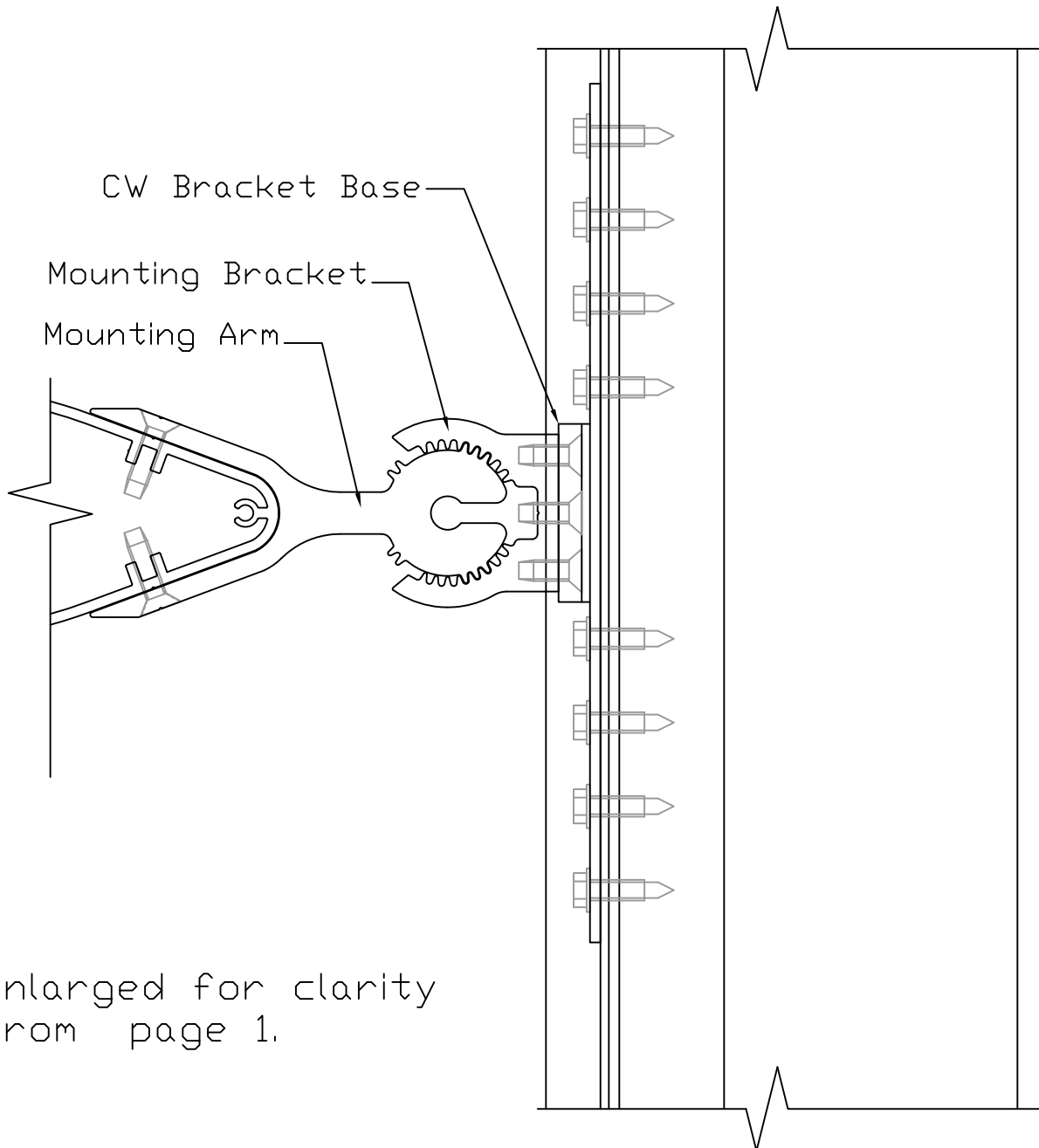
See pages 2 & 3 for enlarged details

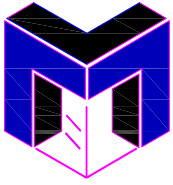


VERSASHADE - Single Blade Sunshades

Manko Window Systems Inc.

Standard Horizontal Blade Detail with Curtain Wall

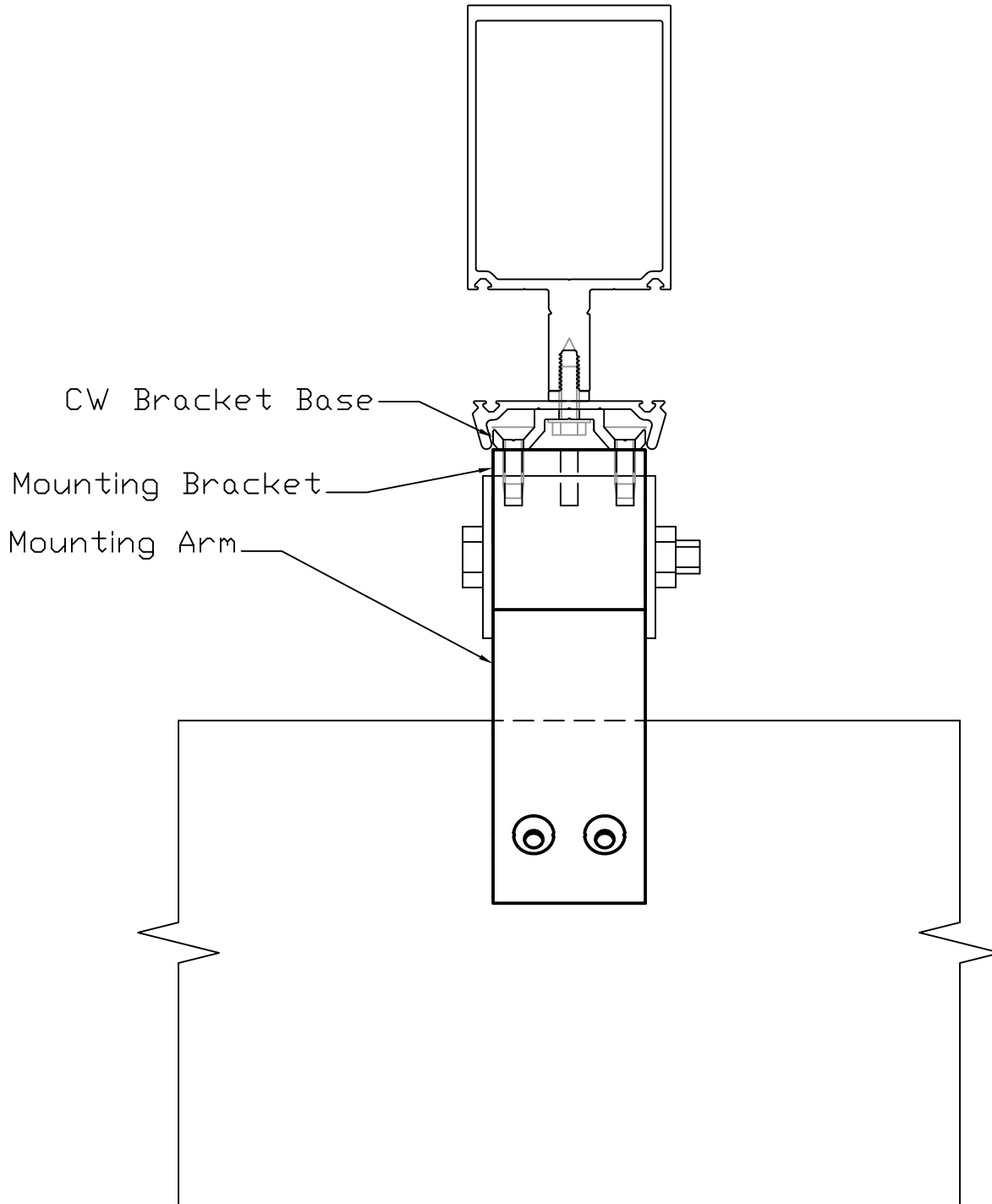




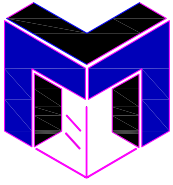
VERSASHADE - Single Blade Sunshades

Manko Window Systems Inc.

Standard Horizontal Blade Detail with 250 Series Curtain Wall



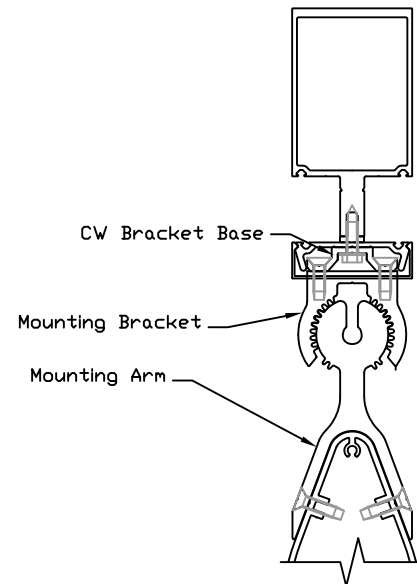
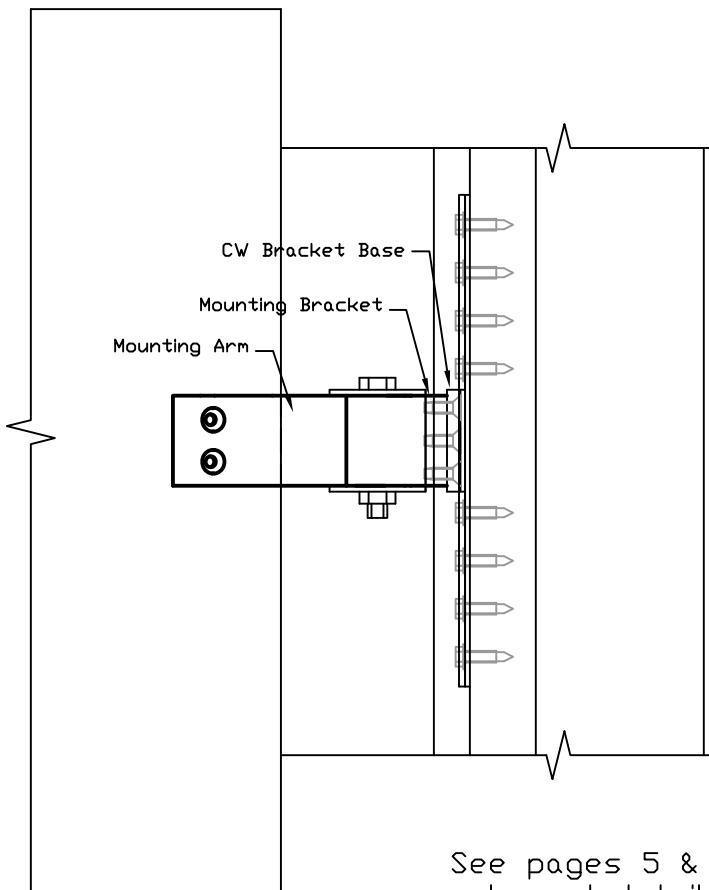
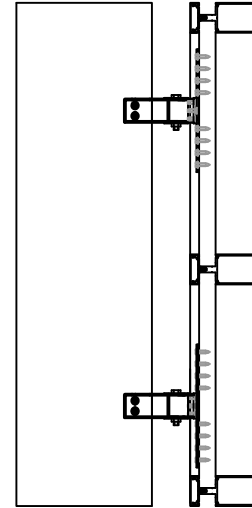
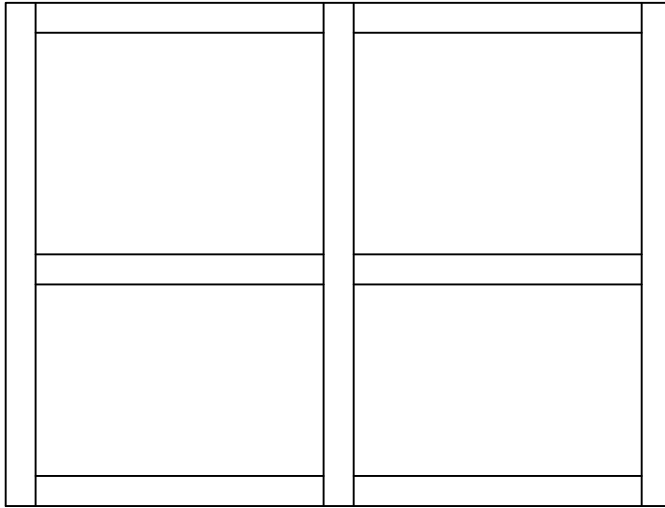
Enlarged for clarity
from page 1.



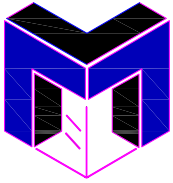
VERSASHADE - Single Blade Sunshades

Manko Window Systems Inc.

Standard Vertical Blade Detail with 250 Series Curtain Wall



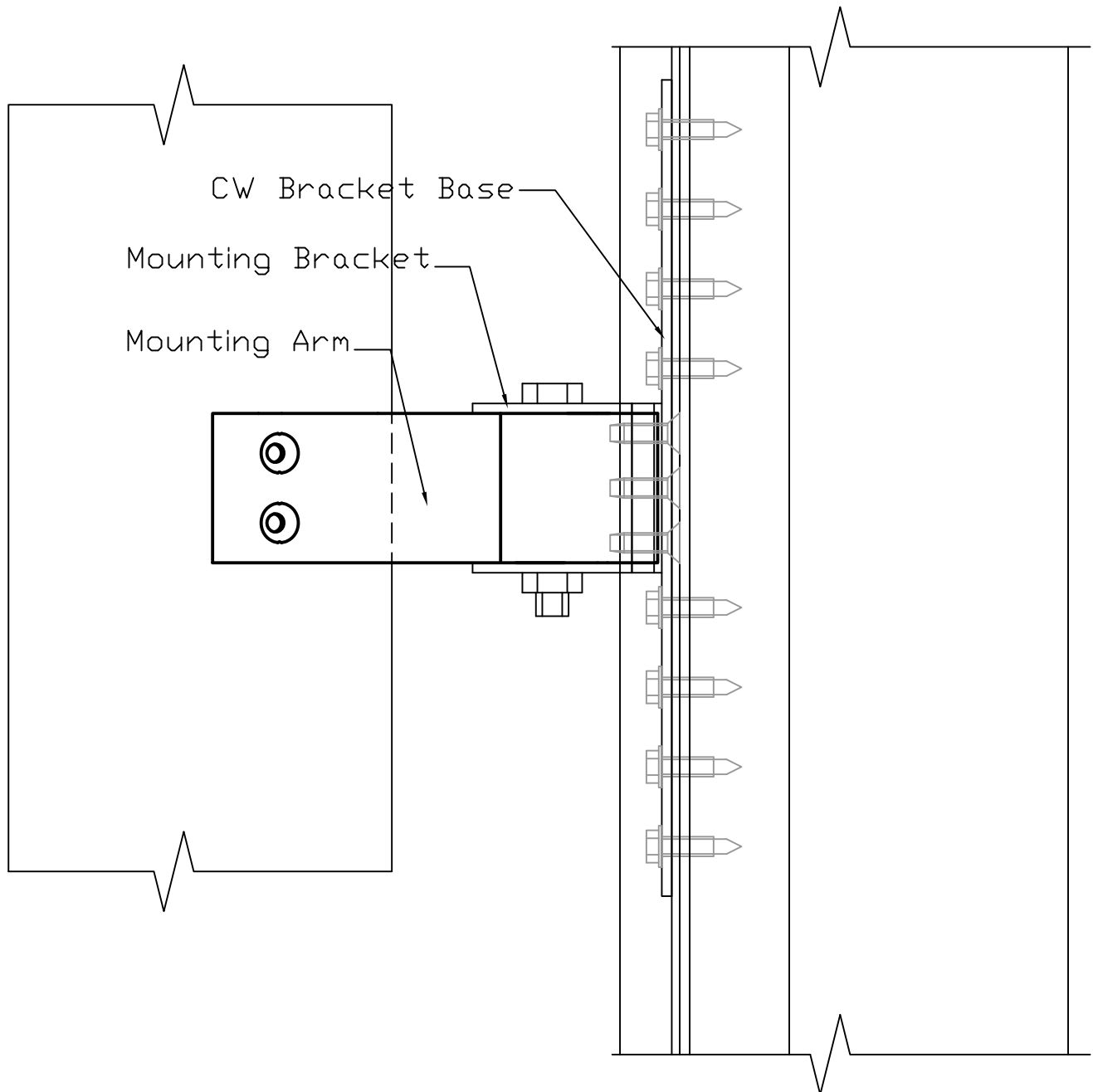
See pages 5 & 6 for enlarged details



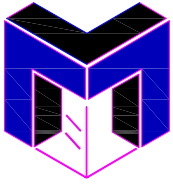
VERSASHADE - Single Blade Sunshades

Manko Window Systems Inc.

Standard Vertical Blade Detail with 250 Series Curtain Wall



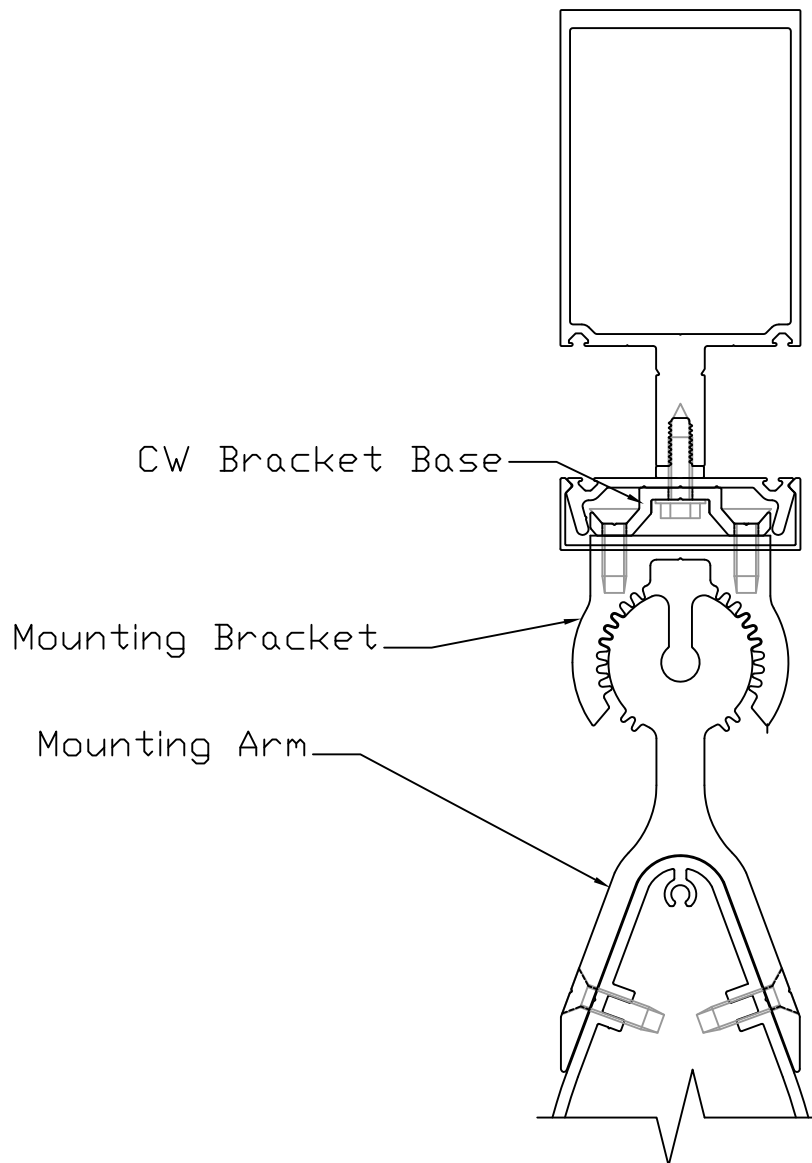
Enlarged for clarity
from page 4.



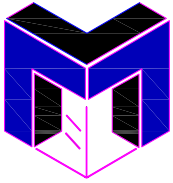
VERSASHADE - Single Blade Sunshades

Manko Window Systems Inc.

Standard Vertical Blade Detail with 250 Series Curtain Wall



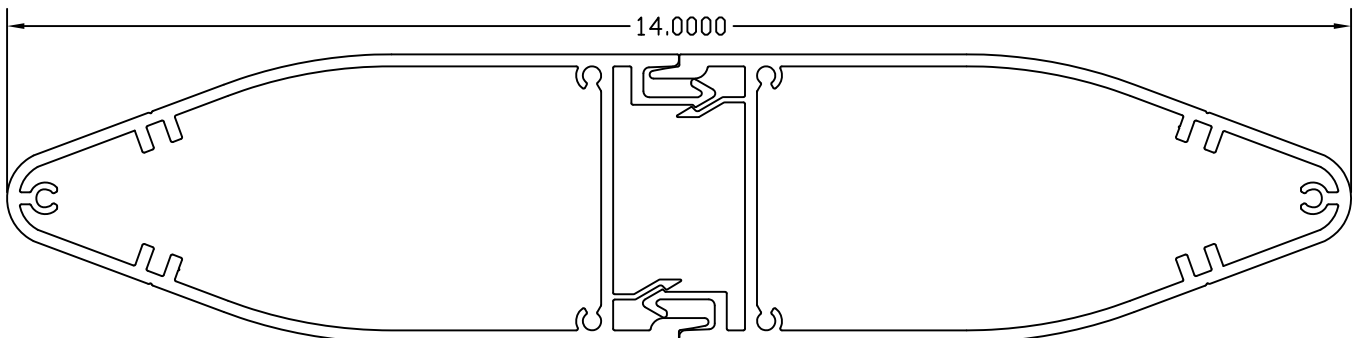
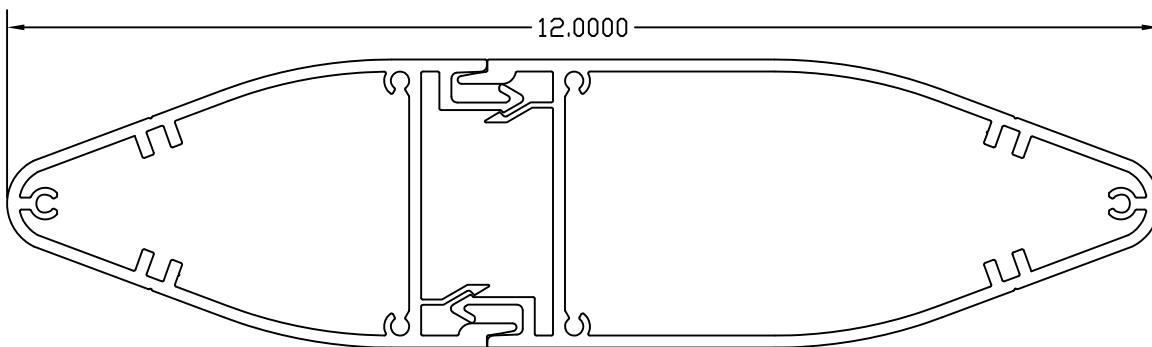
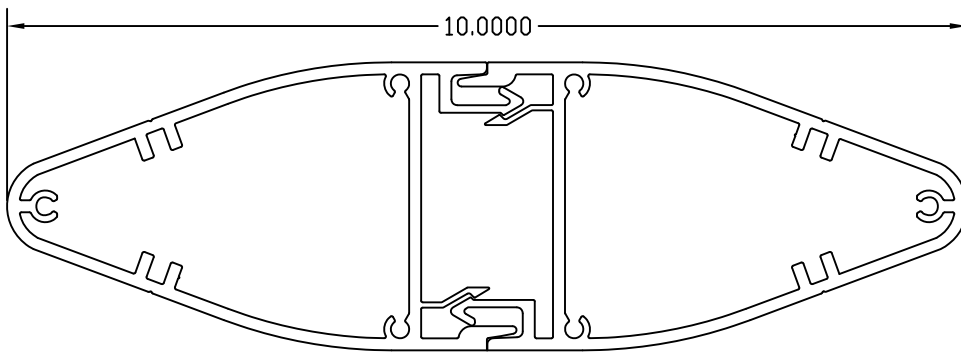
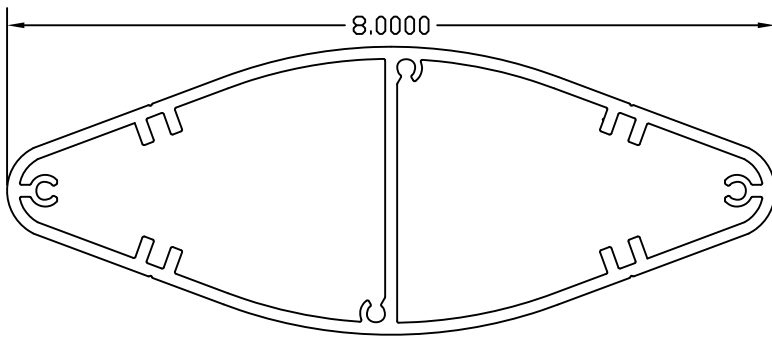
Enlarged for clarity
from page 4.

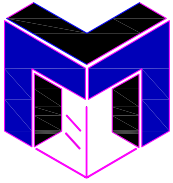


VERSASHADE - Single Blade Sunshades

Manko Window Systems Inc.

Standard Blade Sizes

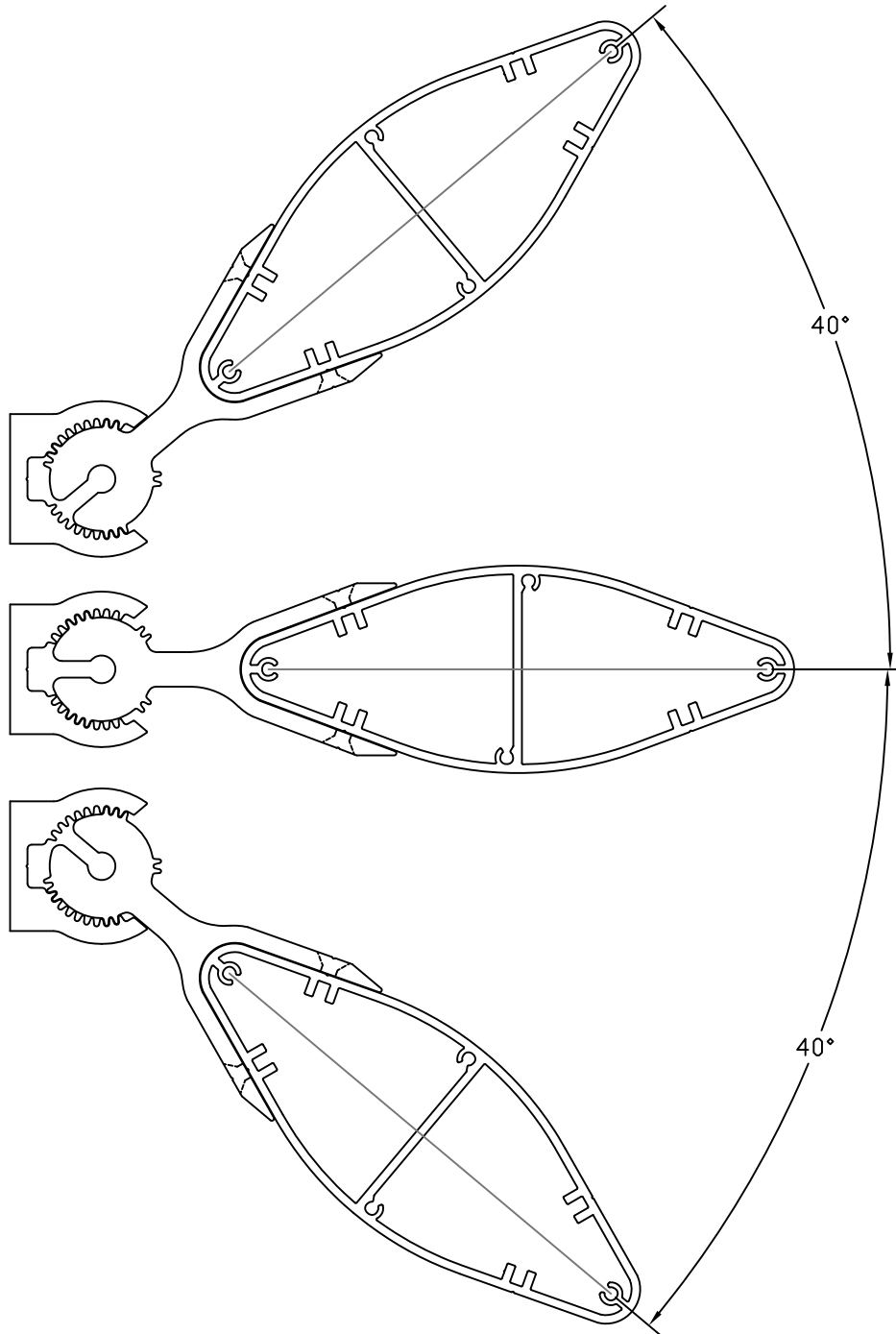


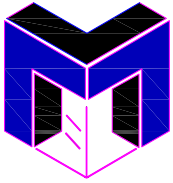


VERSASHADE - Single Blade Sunshades

Manko Window Systems Inc.

Blades angles can be initially set at nine different angles from positive 40 degrees to negative 40 degrees in 10 degree increments.

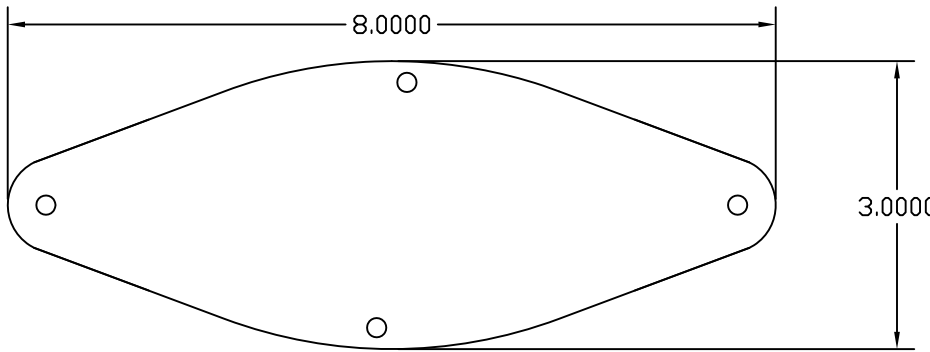




VERSASHADE - Single Blade Sunshades

Manko Window Systems Inc.

End Caps for Versablades



End Caps Manufactured
from .090 Aluminum Sheet

