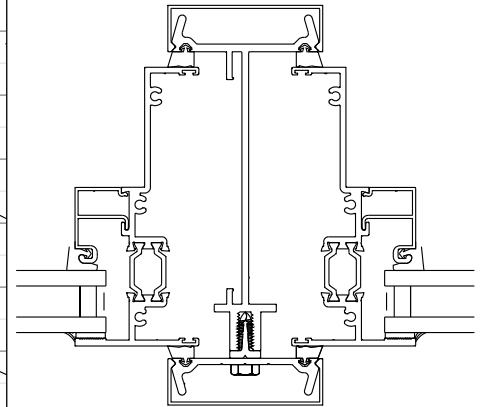
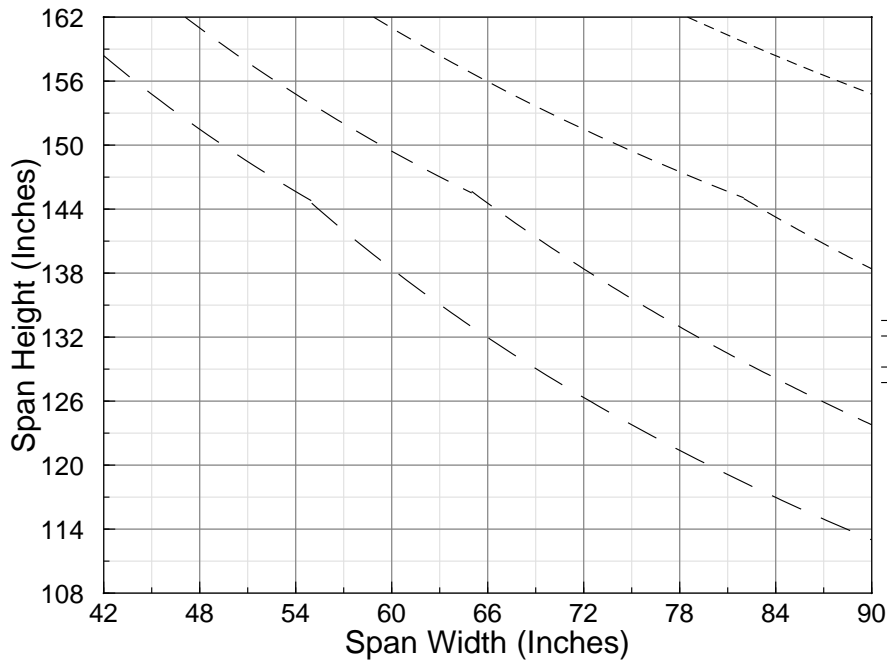
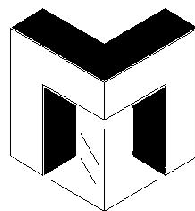


Windload Chart for #8403 and 4558 Three Piece Mullion



- 15 PSF
- 20 PSF
- 25 PSF
- 30 PSF

All Calculations Based on L/175 Maximum Deflection



MANKO
WINDOW SYSTEMS, INC.

PHONE 785/776-9643 800/642-1488 FAX 785/776-9644
800 HAYES DRIVE MANHATTAN, KS 66502